

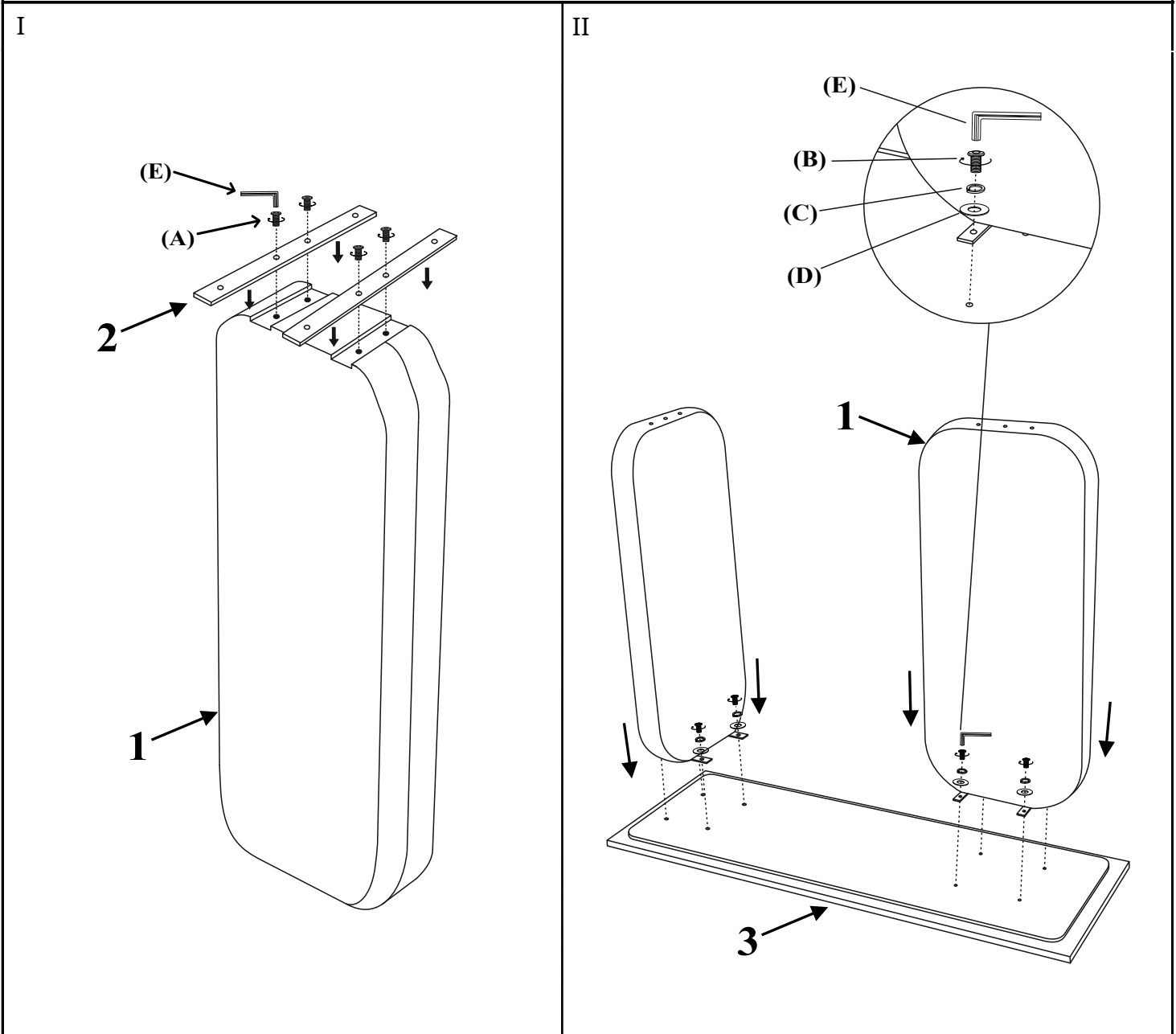
ITEM NAME/NOM D'ITEM: PEMBA CONSOLE TABLE

ITEM # /NO. ITEM: 109770

PARTS LIST/LISTE DES PIÈCES

(1)	(2)	(3)	(4)	(5)	A.	B.	C.	D.	E.	F.
					11x16mm	11x19mm	11x1.5mm	18x1mm	4mm	Furniture Tipping Restraint
x2	x4	x1	x1	x14	x8	x8	x8	x8	x1	x1

ASSEMBLY INSTRUCTIONS/INSTRUCTIONS D'ASSEMBLAGE



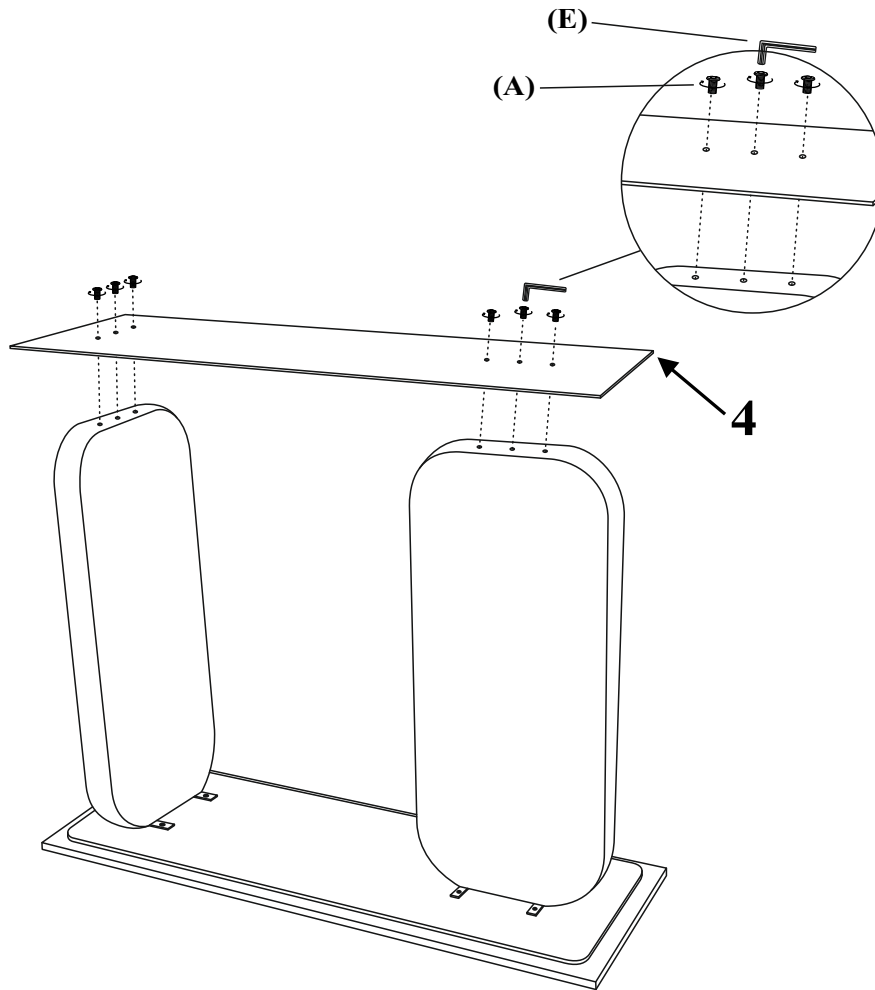
For missing parts or damaged parts, please call /
 Pour pièce manquante ou endommagée, veuillez appeler:

USA, Canada and Mexico: (866)-798-6663

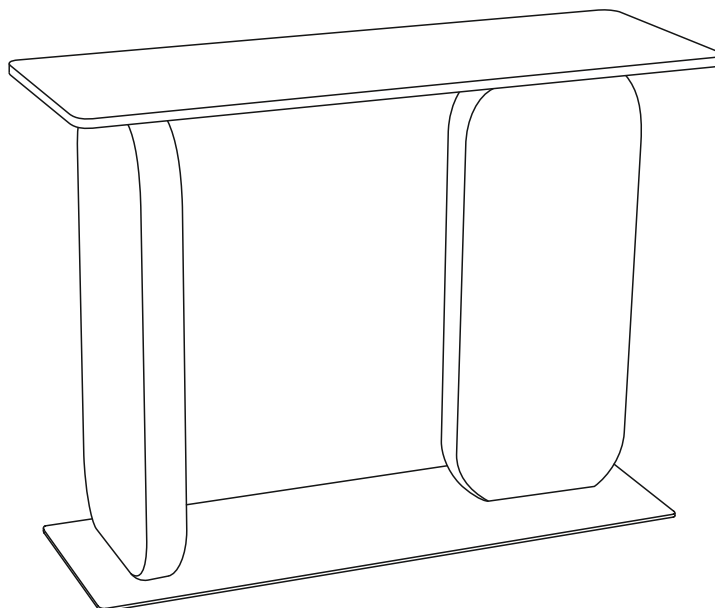
ITEM NAME/NOM D'ITEM: PEMBA CONSOLE TABLE

ITEM # /NO. ITEM: 109770

III



IV

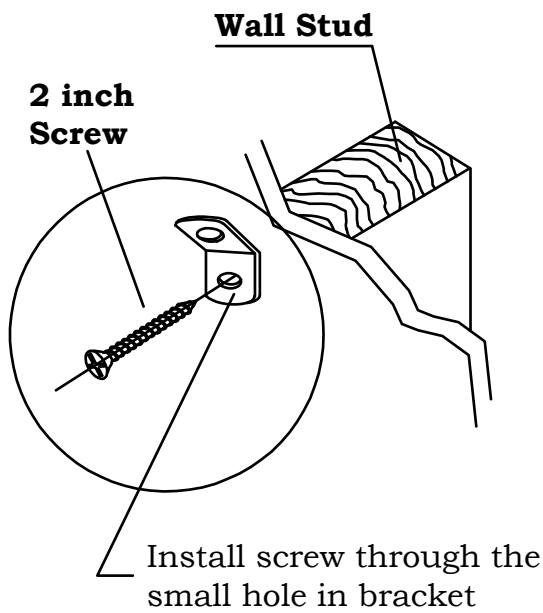


ITEM NAME/NOM D'ITEM: PEMBA CONSOLE TABLE

ITEM # /NO. ITEM: 109770

To install the furniture tipping restraint:

1. Determine the approximate location where the console table will be placed. Locate a wall stud.
2. Attach one of the 'L' brackets to the wall stud using 2" screw through the small hole in the 'L' bracket.
3. Position the console table then install the strap around the back of console table and through the 'L' bracket as shown.



Install the strap through the 'L' bracket and around the back of console table

