

ASSEMBLY INSTRUCTION

INSTRUCCIONES



2275S (DINING CHAIR)

2275S (SILLA DE COMEDOR)

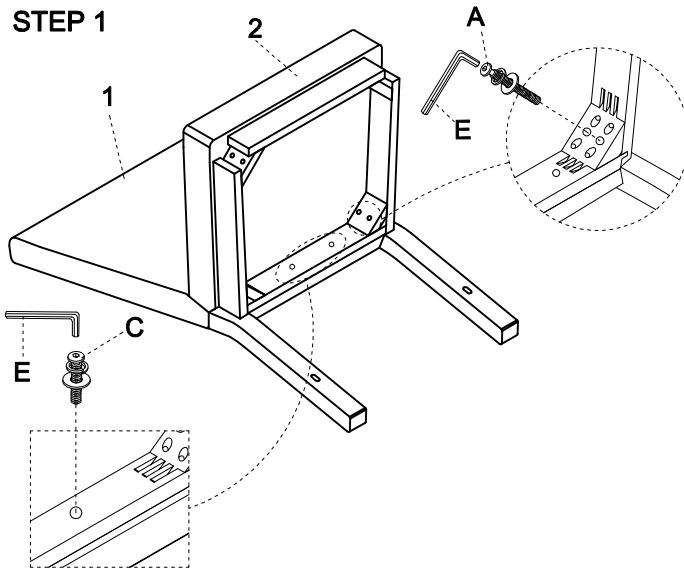
HARDWARE LIST / LISTA DE TORNILLO

A		BOLT (Ø5/16" x 18 x 3") (Chair back leg corner)	4PCS
B		BOLT (Ø5/16" x 18 x 2-1/8") (Front leg)	4PCS
C		BOLT (Ø5/16" x 18 x 1-1/2") (Chair back center)	2PCS
D		SCREW (#8 x 1-3/4")	4PCS
E		ALLEN KEY (4mm)	1PC

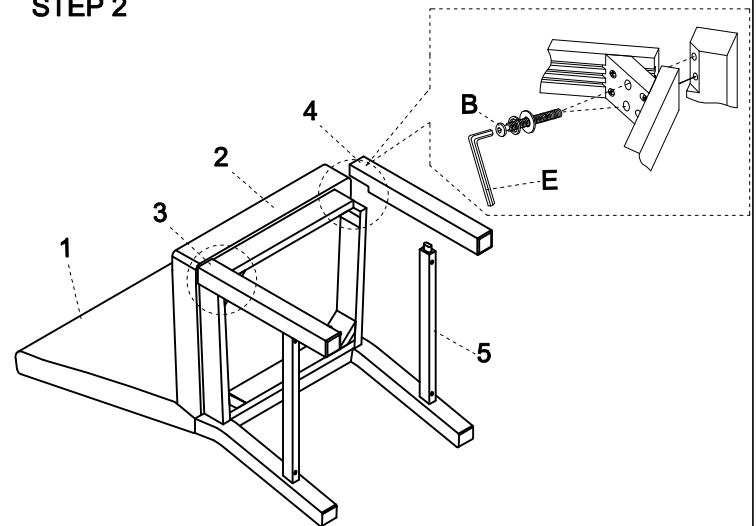
PARTS LIST / LISTA DE PARTES

1		CHAIR BACK	1PC
2		CUSHION WITH SEAT FRAME	1PC
3		LEFT FRONT LEG	1PC
4		RIGHT FRONT LEG	1PC
5		STRETCHER	2PCS

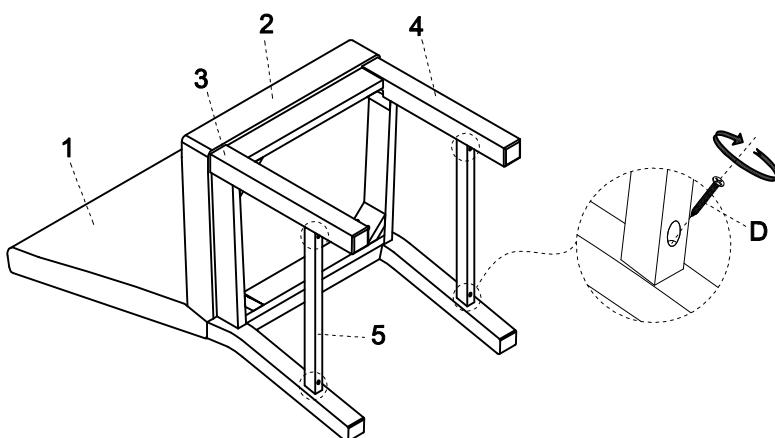
STEP 1



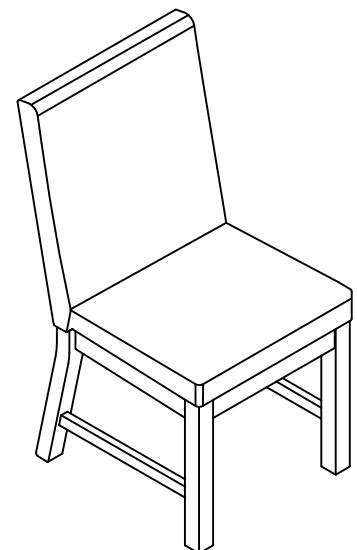
STEP 2



STEP 3



FINISH



DO NOT TIGHTEN ALL BOLTS UNTIL COMPLETELY ASSEMBLED !
NO APRETER LOS TORNILLOS HASTA ARMAR COMPLETAMENTE