



Assembly Instructions

ITEM NO: 1081RU-1 ACCENT CHAIR

H O M E E L E G A N C E



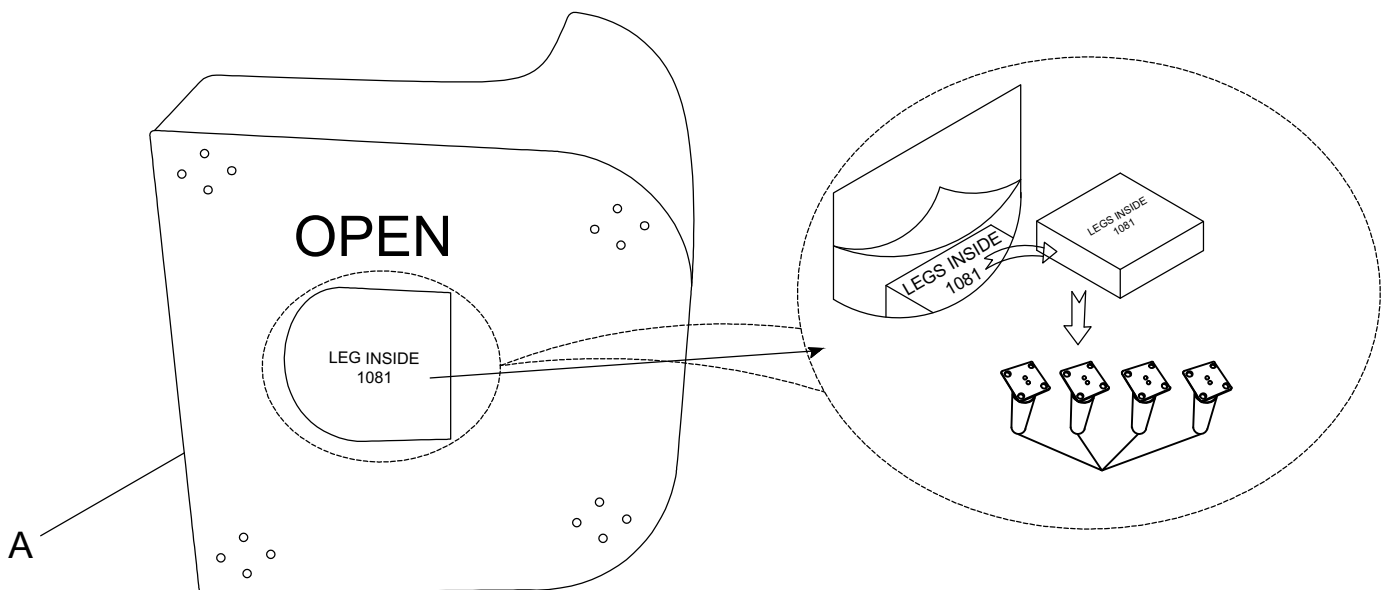
Legs and hardware are stored inside the seat, please take out for assembly

Note: Do not use power tools for assembly. Power tools increase the risk of over tightening which lead to splitting or cracking the wood.

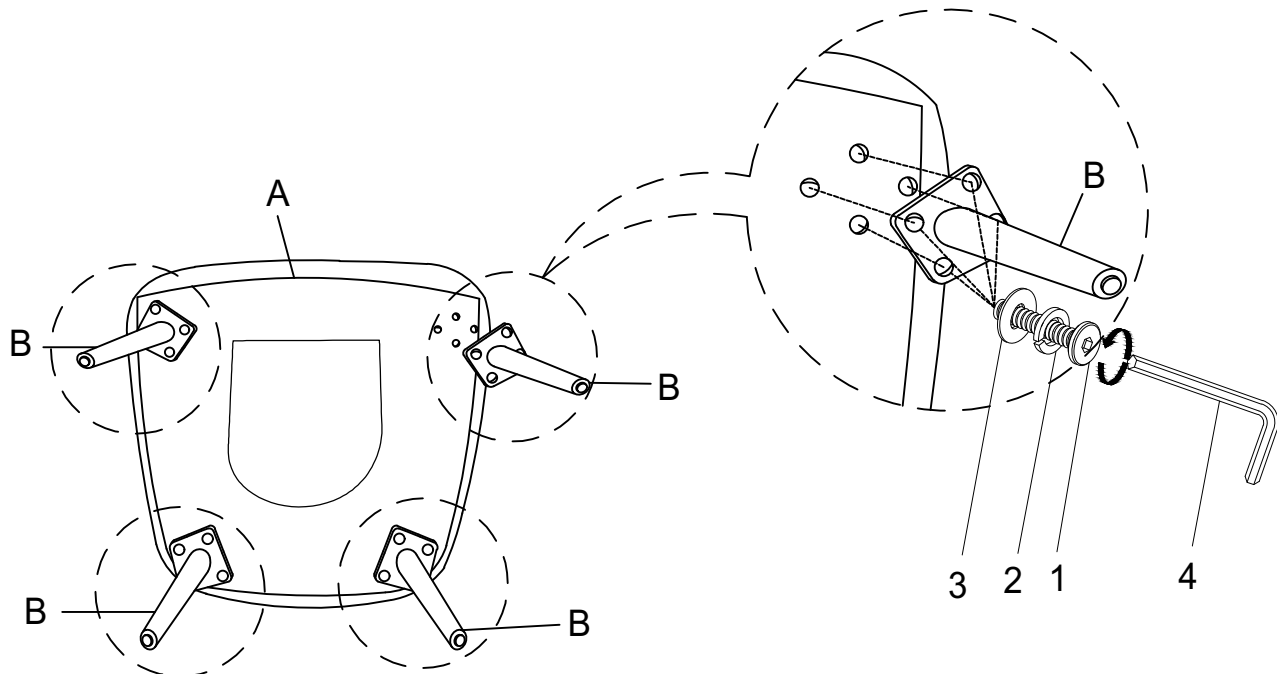
PART	DRAWING	DESCRIPTION	QTY
A		BOUCLE ACCENT CHAIR	1 PC
B		WOODEN LEG 7.75"*2.75"*2.75"	4 PCS

PART	DRAWING	DESCRIPTION	QTY
1		BOLT (Ø1/4" *1-1/4")	16 PCS
2		SPRING WASHER (Ø1/4")	16 PCS
3		FLAT WASHER (Ø1/4")	16 PCS
4		ALLEN KEY (M4)	1 PC

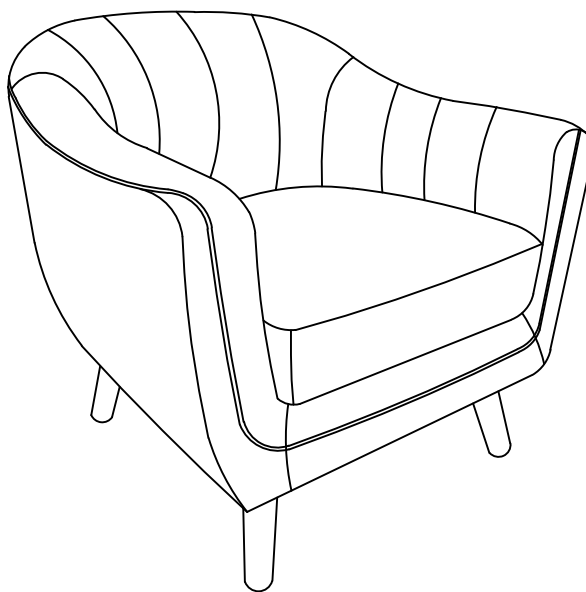
STEP 1:



STEP 2:



COMPLETED



Care Instruction for Boucle Furniture:

In order to maintain the original appearance of your Boucle Furniture, please follow below simple care procedures:

- Avoid exposing furniture directly to sunlight or heating and air conditioning outlets. Sunlight and or exposure to heating and air conditioning outlets will fade/damage Boucle.
- Vacuum or wipe with a soft cloth to remove dust.



For items use on wooden floor, hard surfaces or carpets, it is recommended to Install protective pads under all legs and supports to avoid/prevent from damages/scratches and discoloration.