







Thank you for being our valued customer. Be sure to check all packing materials carefully for small parts which may have come loose inside the carton during shipment. Identify and count all items and compare them with the parts list below.

CAUTION: Read the instructions carefully before assembly.

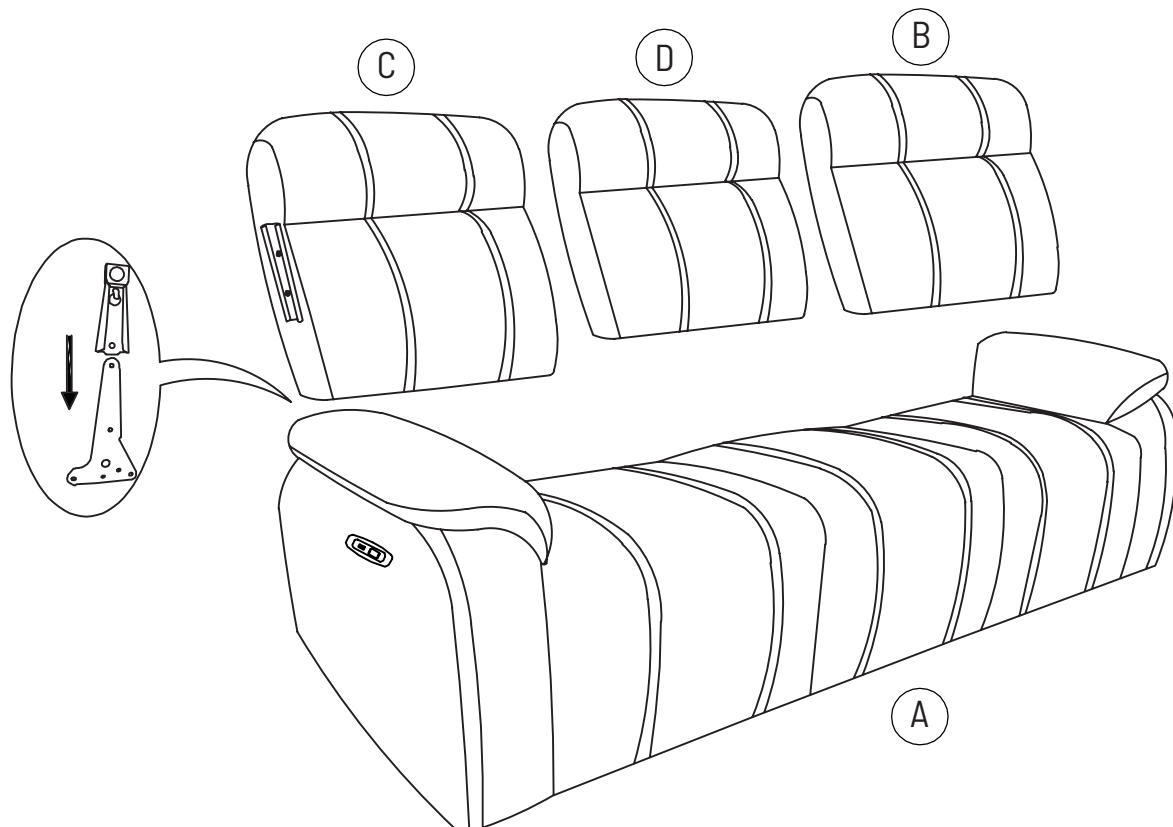
1. We recommend that you assemble this product with the assistance of another person to eliminate damage to the product during assembly.
2. When you want to reposition the product, please always "LIFT & MOVE."

PARTS LIST			
NO.	DESCRIPTION	SKETCH	QTY
A	Seat		1PC
B	RSF Backrest		1PC
C	LSF Backrest		1PC
D	Middle Backrest		1PC
E	LSF Wing		1PC
F	RSF Wing		1PC

Step 1

Attach Back Rests (B) to the Seat (A).

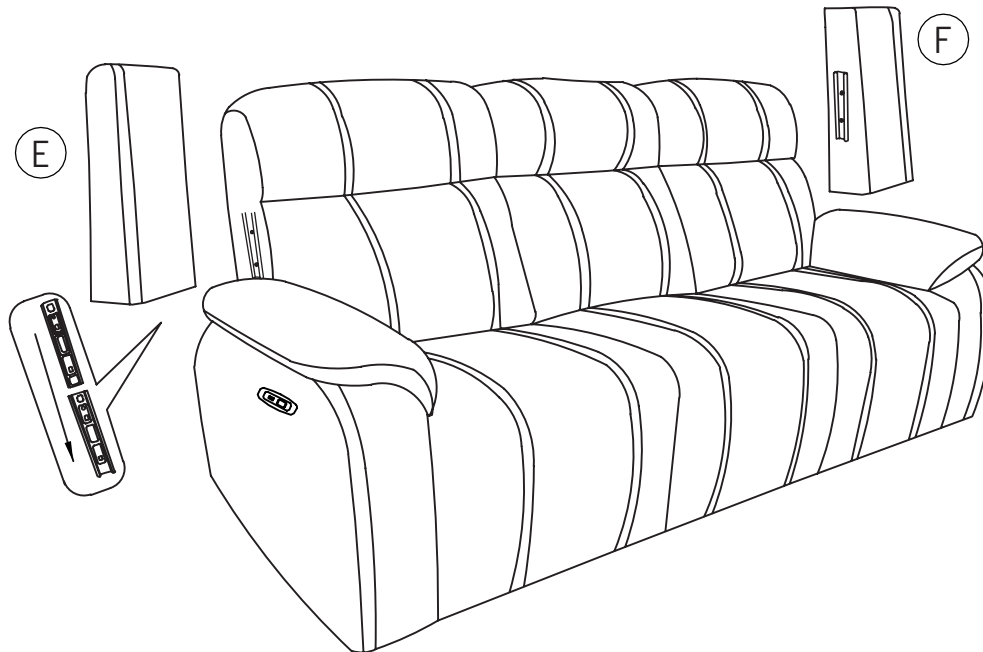
Please make sure the metal brackets are inserted all the way and secured into position.



Please see reverse side →

Step 2

Please align and insert the LSF Wing (E) and RSF Wing (F) to the Backrest. Please make sure the wings are inserted all the way and secured into position.



Step 3-Congratulations!

Your product is ready for you to enjoy.

