

### BOX 1

#### BOX OF HEADBOARD/ FOOTBOARD

NO	PART DESC	-----	Q'TY
A	HEADBOARD		1PC/ PIEZA
B	L/R HEADBOARD LEG		2PCS/ PIEZAS
C	STRETCHER		1PC/ PIEZA
D	FOOTBOARD		1PC/ PIEZA
E	SLAT		4PCS/ PIEZAS
F	SUPPORT LEG		4PCS/ PIEZAS

### BOX 1

#### HARDWARE LIST

1	BLOT(Ø1/4"-20 x 1-1/2" )		8PCS/ PIEZAS
2	ALLEN WRENCH		1PC/ PIEZA
3	CSK SCREW (#4 x 1*3/16")		8PCS/ PIEZAS

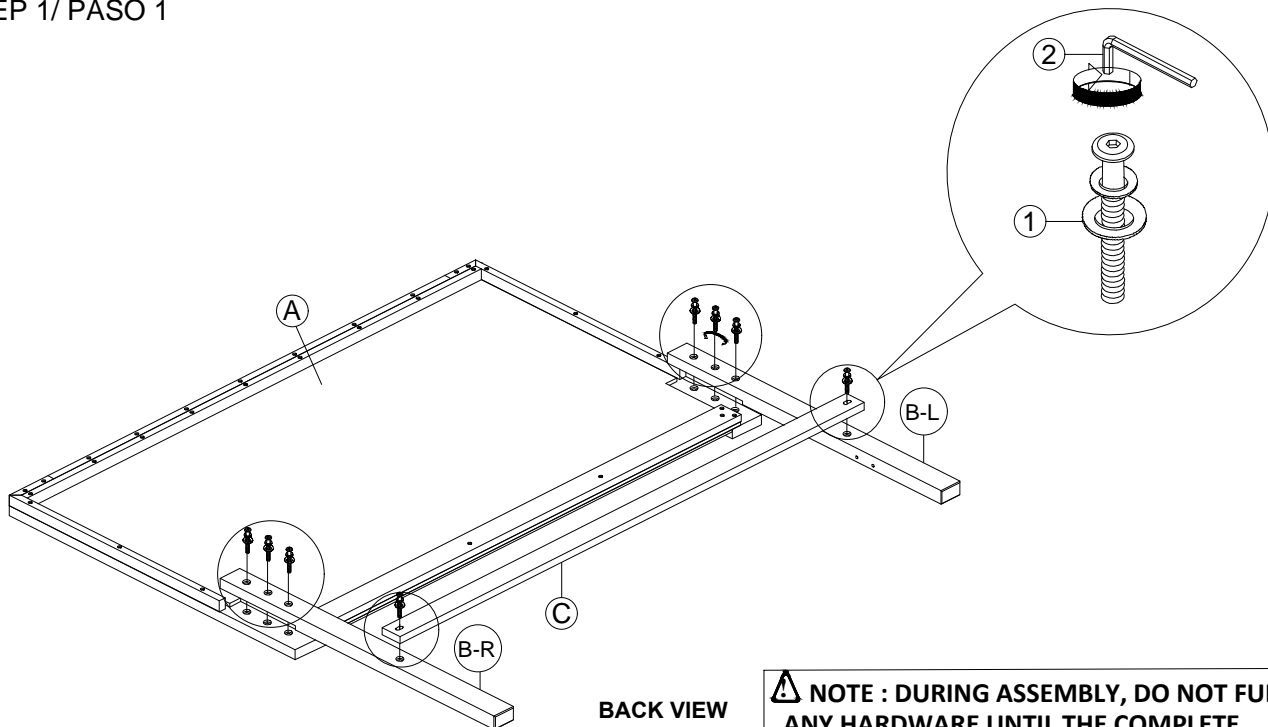
### BOX 2

#### BOX OF RAIL

NO	PART DESC	-----	Q'TY
G	SIDE RAIL		2PCS/ PIEZAS

## THE HARDWARE IS LOCATED IN THE PACKING ITEMS

### STEP 1/ PASO 1

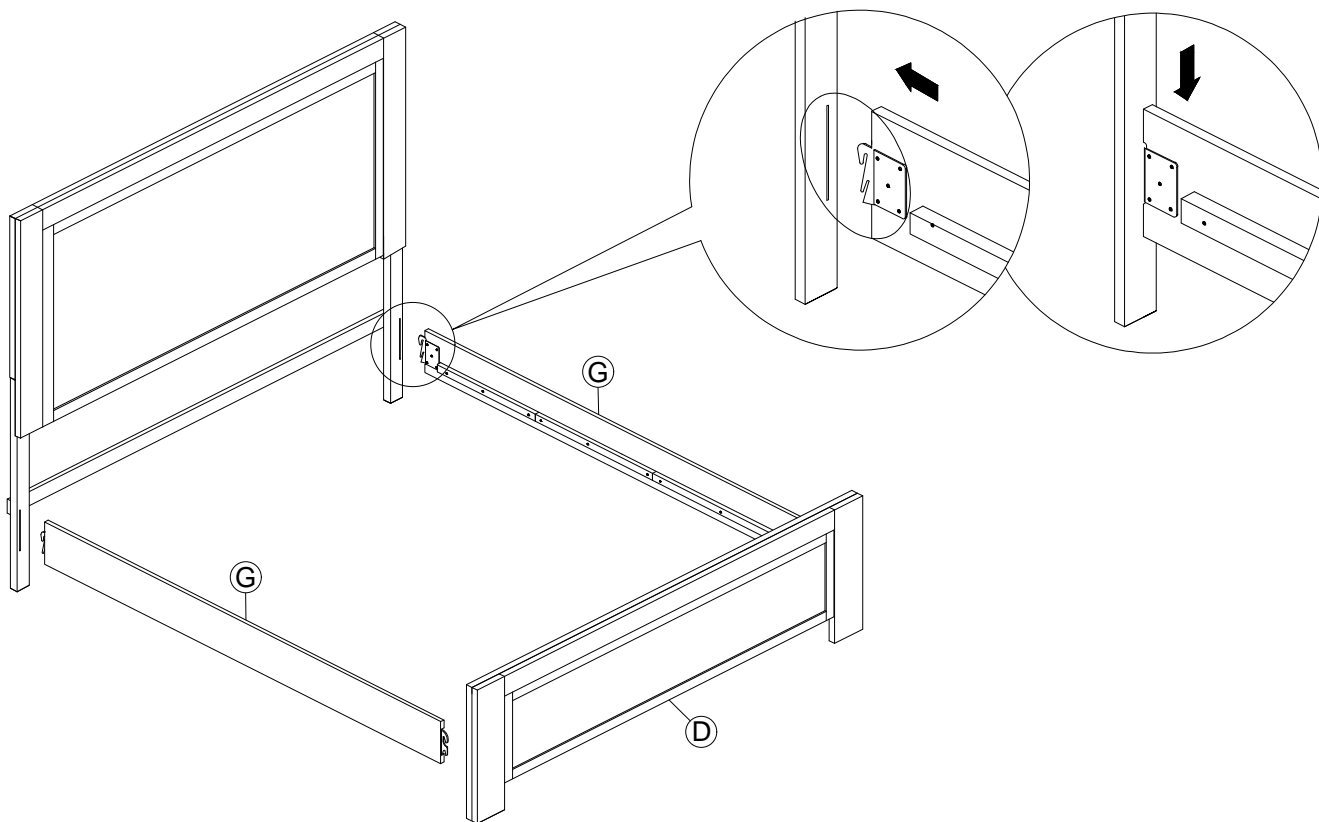


BACK VIEW

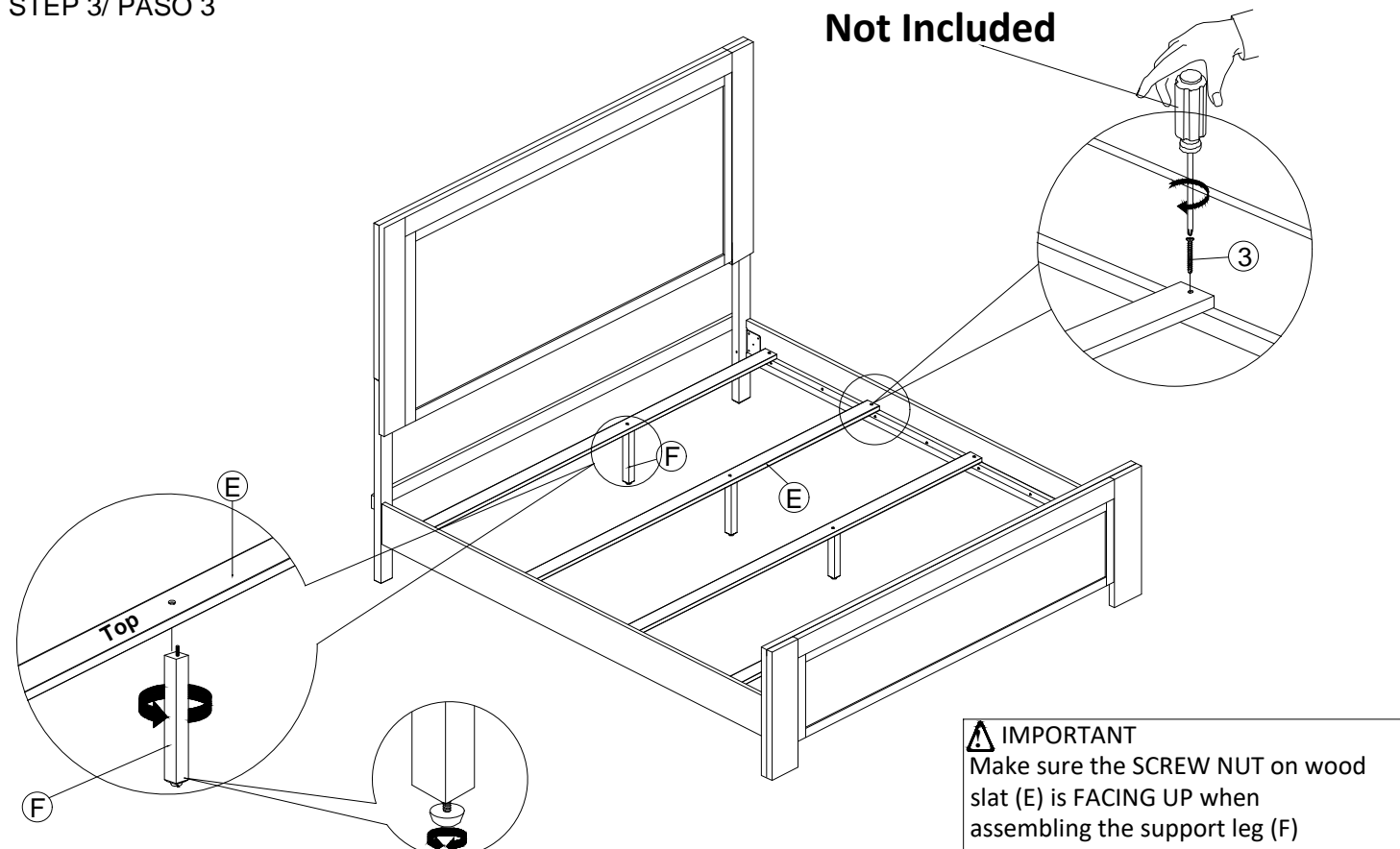
**⚠ NOTE : DURING ASSEMBLY, DO NOT FULLY TIGHTEN ANY HARDWARE UNTIL THE COMPLETE UNIT HAS BEEN ASSEMBLED.**

NOTE : MUST TIGHTEN SCREWS PERIODICALLY WITH USE SCREWS WILL BECOME LOOSE.CHECK TIGHTNESS OF ALL SCREWS EVERY 6-8 WEEKS

STEP 2/ PASO 2



STEP 3/ PASO 3



NOTE : MUST TIGHTEN SCREWS PERIODICALLY WITH USE SCREWS WILL BECOME LOOSE.CHECK TIGHTNESS OF ALL SCREWS EVERY 6-8 WEEKS