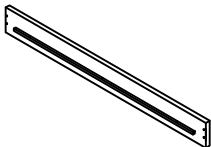
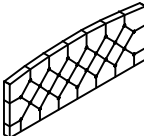

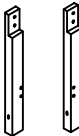
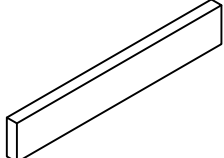
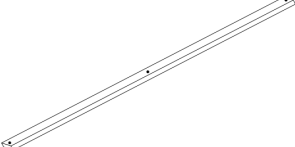

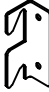
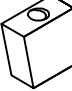

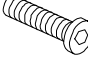
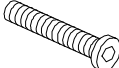
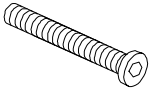
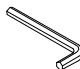


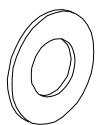
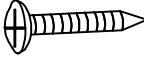
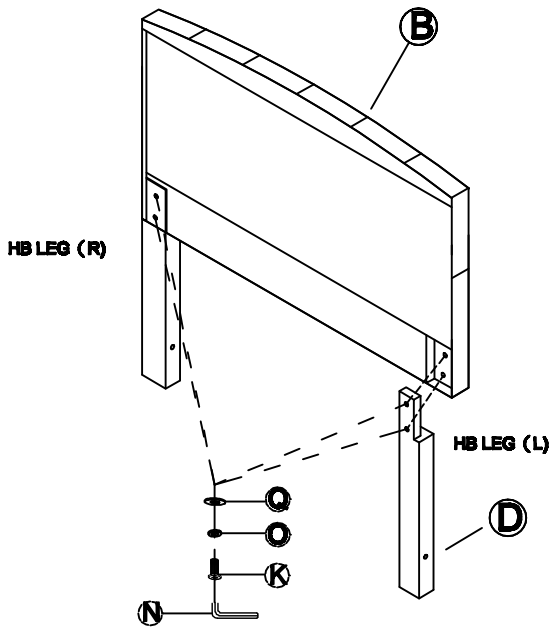


ASSEMBLY INSTRUCTION

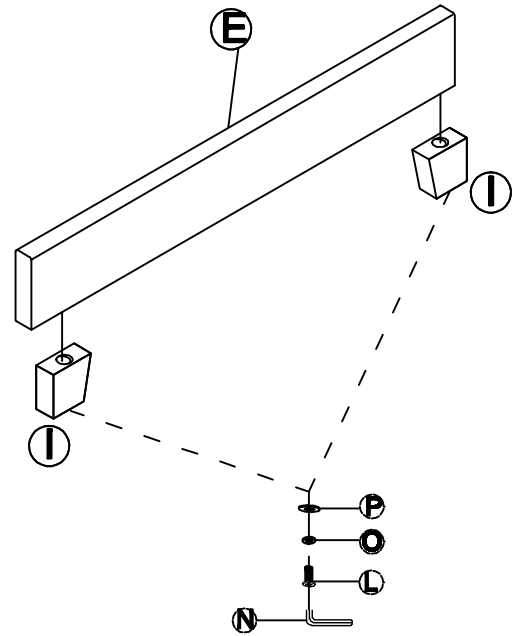
5111-K

| | | | |
|--|---|---|--|
| <p>A RAIL</p>  <p>2PCS</p> | <p>B HEADBOARD</p>  <p>1PC</p> | <p>C Wingback(L&R)</p>  <p>2PCS</p> | <p>D HB LEG (L&R)</p>  <p>2PCS</p> |
| <p>E FOOTBOARD</p>  <p>1PC</p> | <p>F WOOD SLAT</p>  <p>3PCS</p> | <p>G SUPPORT LEG</p>  <p>8PCS</p> | <p>H CONNECTION STRAP</p>  <p>4PCS</p> |
| <p>I FB FEET</p>  <p>2PCS</p> | <p>J BOLT $\frac{5}{16}$"x1"</p>  <p>16PCS</p> | <p>K BOLT $\frac{5}{16}$"x2"</p>  <p>16PCS</p> | <p>L BOLT $\frac{5}{16}$"x3"</p>  <p>2PCS</p> |
| <p>M BOLT $\frac{5}{16}$"x5"</p>  <p>2PCS</p> | <p>N ALLEN WRENCH 5MM</p>  <p>1PC</p> | <p>O LOCK WASHER 5/16"Ø12MM</p>  <p>36PCS</p> | <p>P FLAT WASHER 5/16"Ø19MM</p>  <p>26PCS</p> |
| <p>Q FLAT WASHER 5/16"Ø22MM</p>  <p>10PCS</p> | <p>R SCREW 8MMx1-3/4"</p>  <p>8PCS</p> | | |

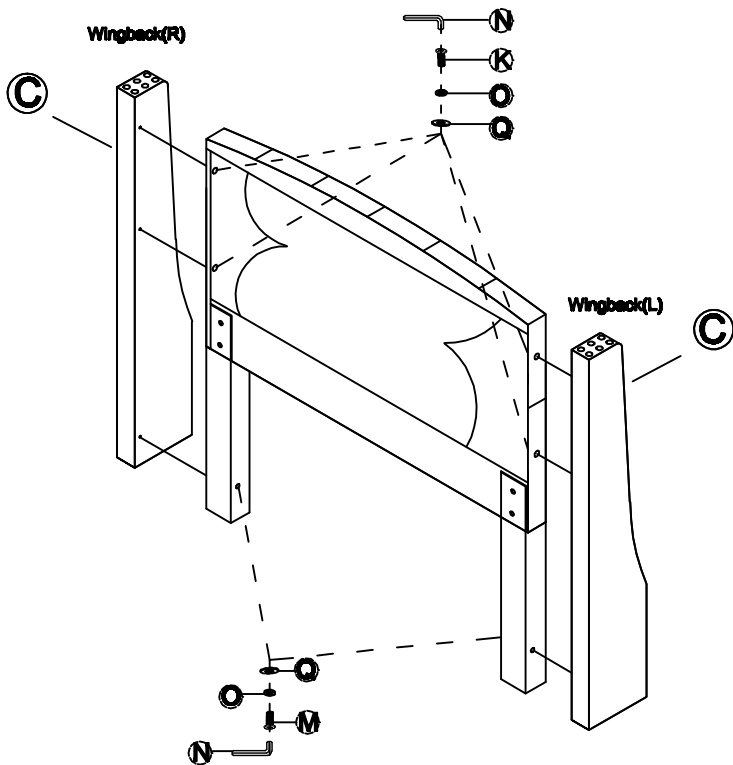
STEP 1



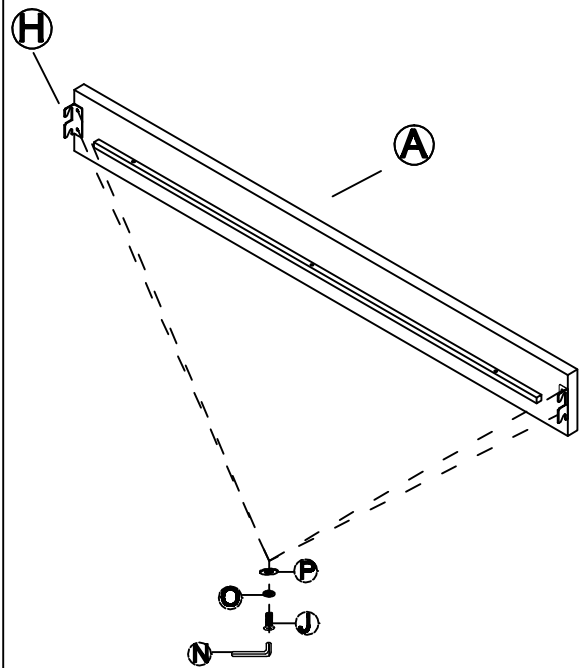
STEP 2



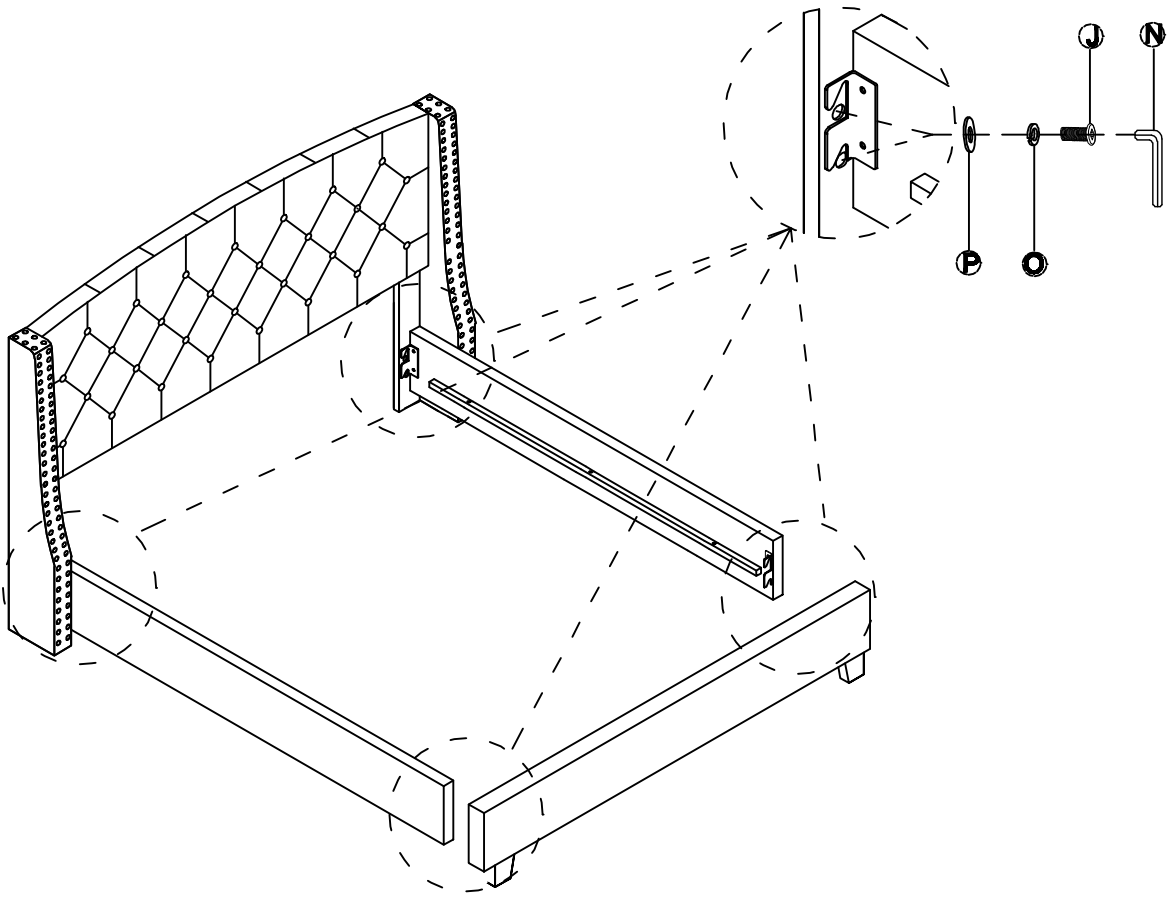
STEP 3



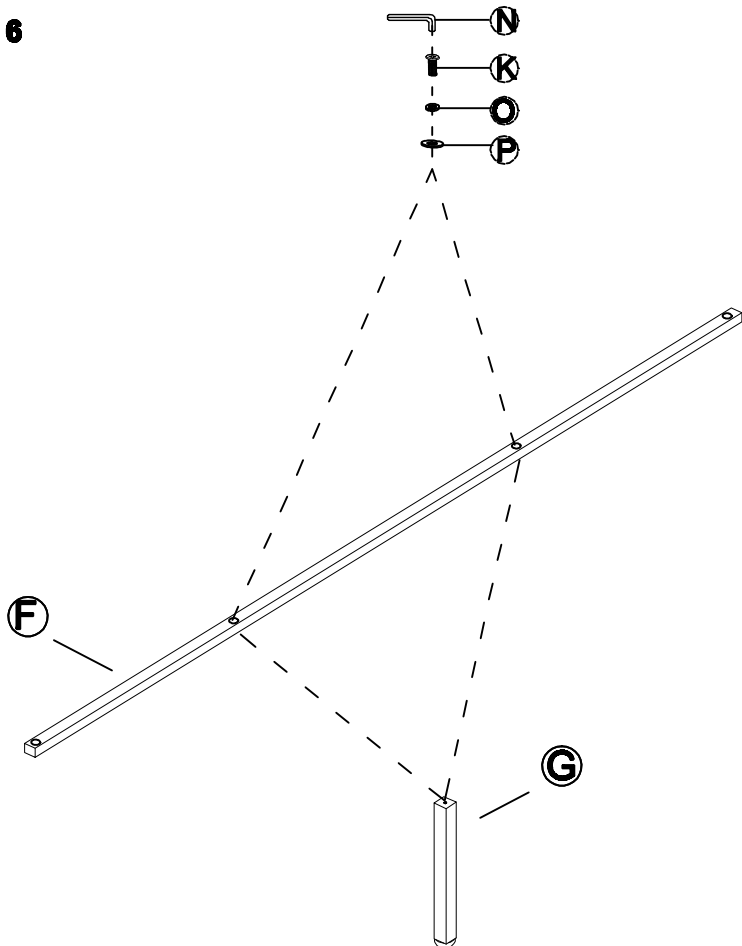
STEP 4



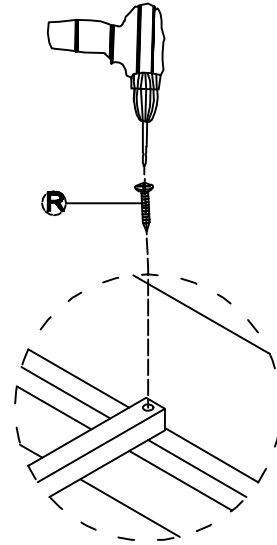
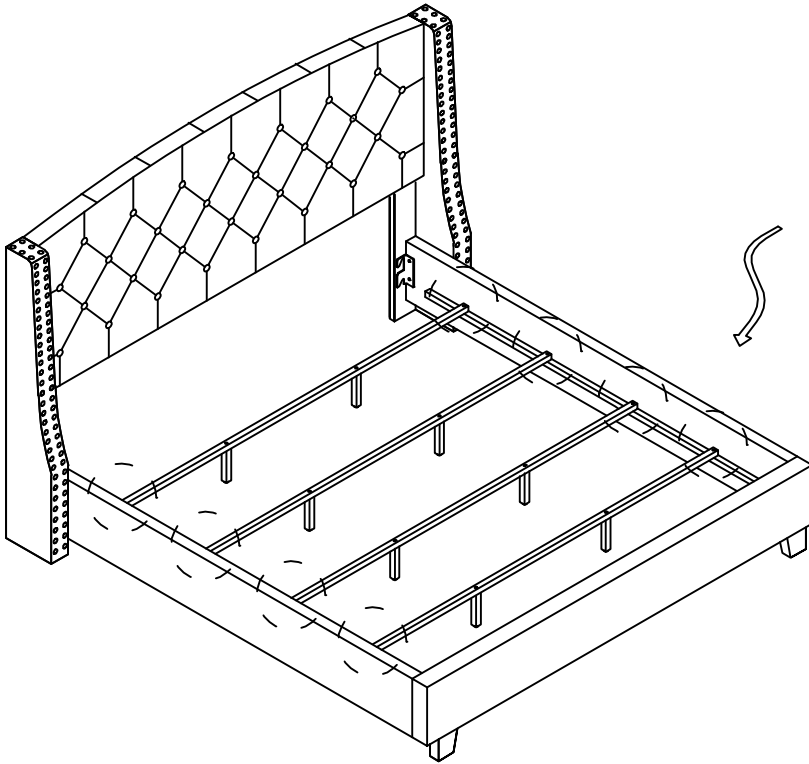
STEP 5



STEP 6



STEP 7



STEP 8

