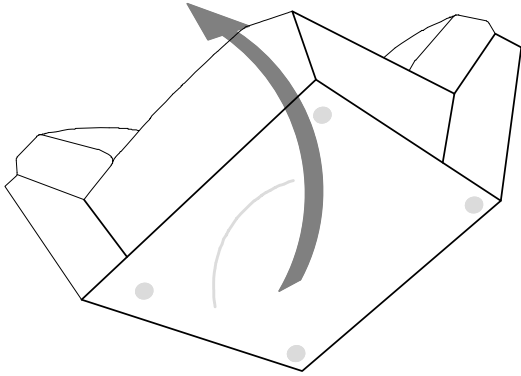


# Leg Assembly Instructions

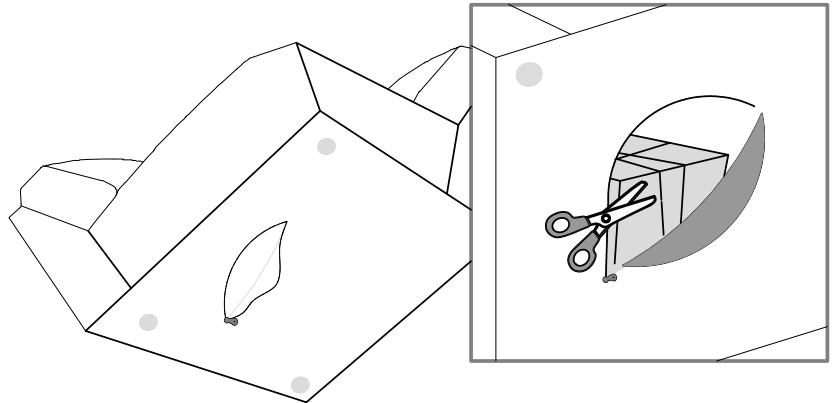
Made in China

## STEP 1



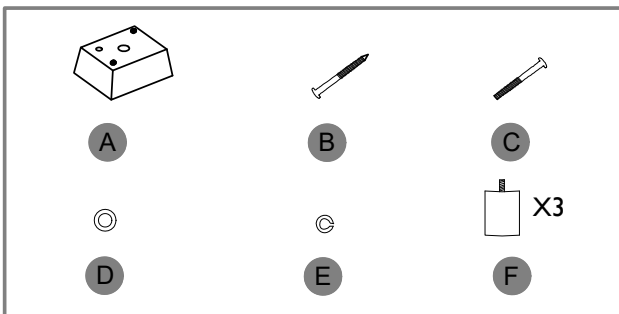
## STEP 2

Unzip the storage compartment, cut the strap and remove the package

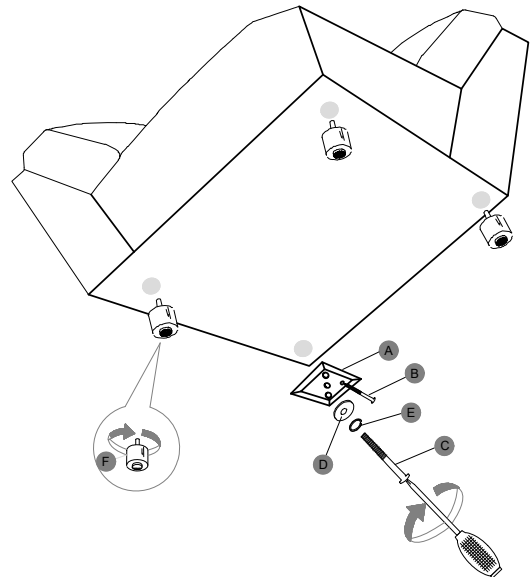


## STEP 3

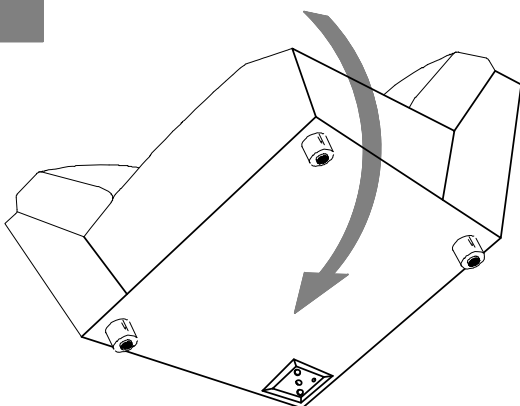
Unpack the parts package.



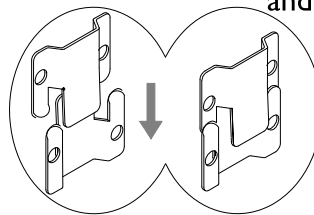
## STEP 4



## STEP 5



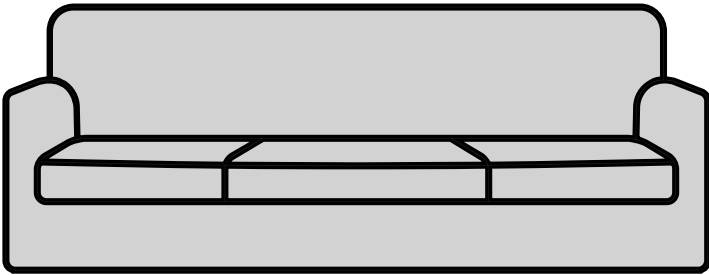
Assembled with connections and other sofa together



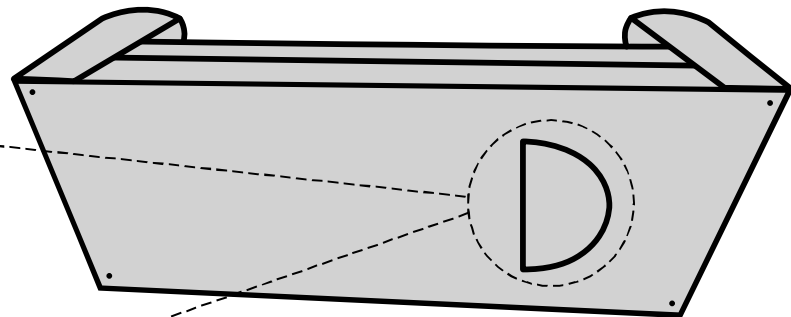
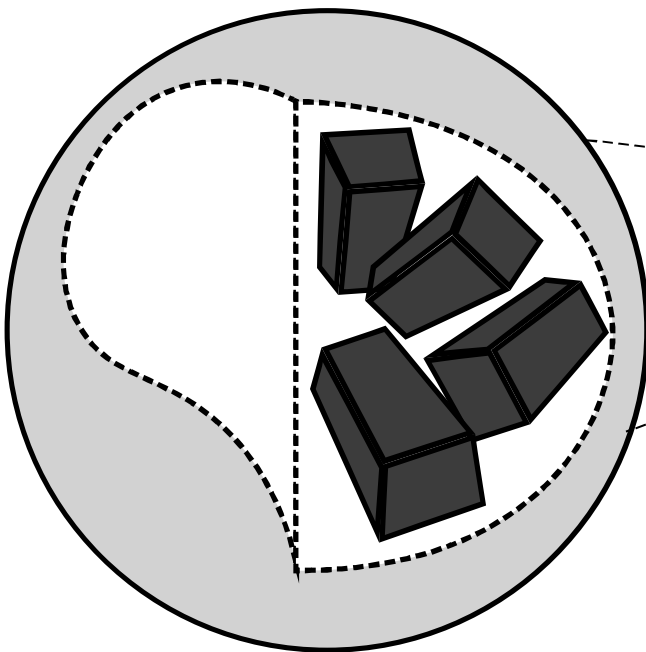
# Leg Assembly Instructions

Made in China

## How to Find Your Furniture Legs *Cómo encontrar las patas de su mueble*



Gently lay sofa/love seat on it's back  
*Coloque suavemente el sofá o el sofá de dos plazas sobre su respaldo*



Locate the compartment underneath sofa/love seat  
*Encuentre el compartimento debajo del sofá*

Open compartment to locate upholstery legs and assembly instructions  
*Habrá el compartimento para localizara las patas del sofá y las instrucciones de asamblea*