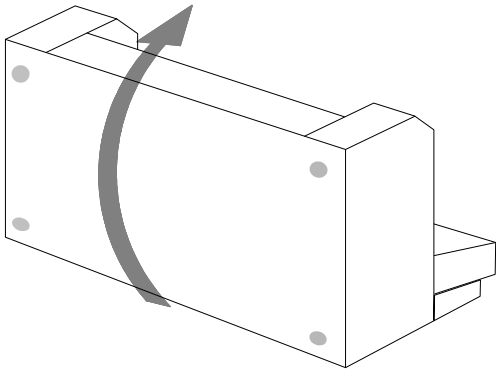


# Leg Assembly Instructions

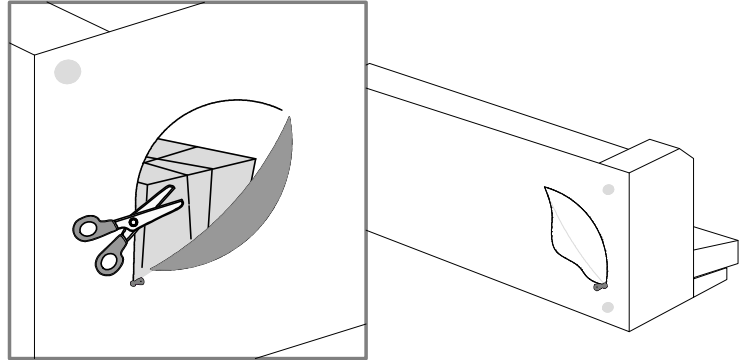
Made in China

## STEP 1



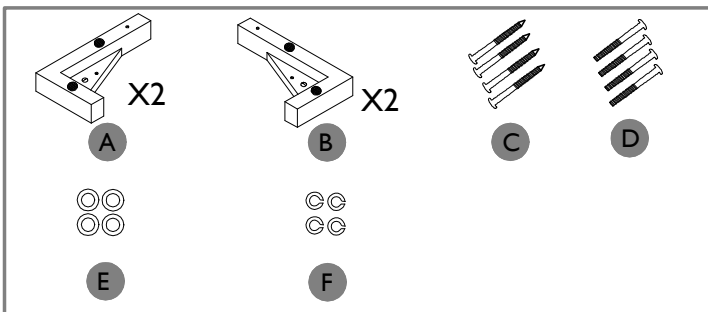
## STEP 2

Unzip the storage compartment, cut the strap and remove the package

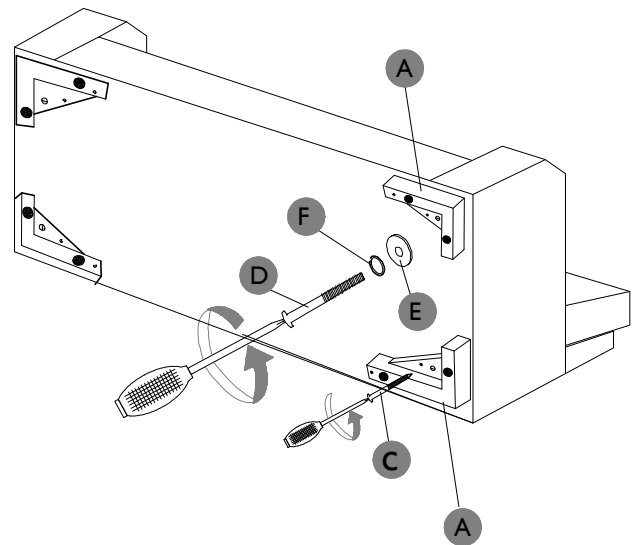


## STEP 3

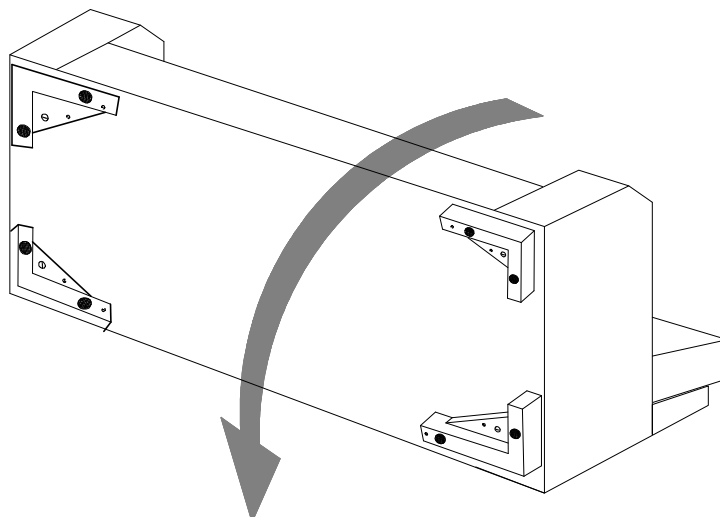
Unpack the parts package.



## STEP 4



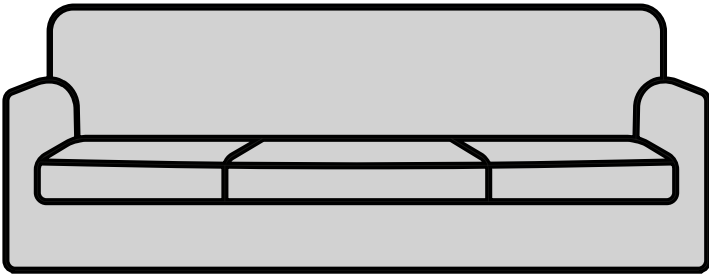
## STEP 5



# Leg Assembly Instructions

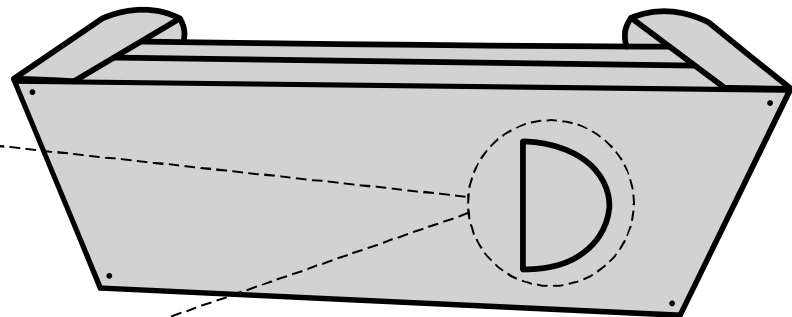
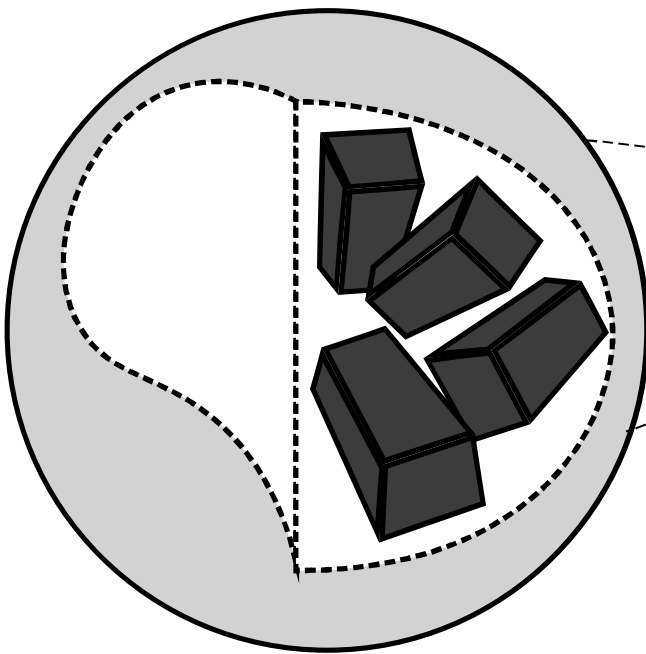
Made in China

## How to Find Your Furniture Legs *Cómo encontrar las patas de su mueble*



Gently lay sofa/love seat on it's back

*Coloque suavemente el sofá o el sofá de dos plazas sobre su respaldo*



Locate the compartment underneath sofa/love seat

*Encuentre el compartimento debajo del sofá*

Open compartment to locate upholstery legs and assembly instructions

*Habr  el compartimento para localizara las patas del sof  y las instrucciones de asamblea*