






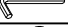




Assembly Instruction for BAR TABLE THY100BTSP

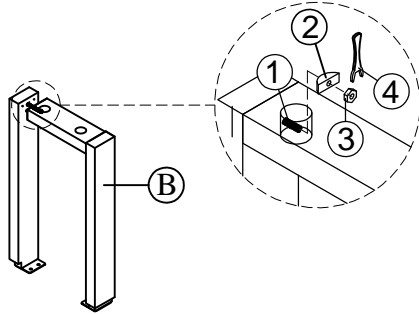
Caution: Please read instructions thoroughly before unpacking assembly parts. Sharp, exposed staple tips can cause injury, therefore, for your protection, please remove any exposed staples used in packing.

1. We recommend that you should assemble this product with the assistance of another person; this will make assembly easier, and will help to eliminate damage to the product or injury to persons during assembly.
2. Be sure to check all packing materials carefully for small parts that may have come loose inside the carton during shipment.
3. Please do not over tighten screws or bolts.
4. Please put all parts on a non-abrasive floor before assembly, and follow the assembly steps to assemble your newly purchased product correctly and efficiently.

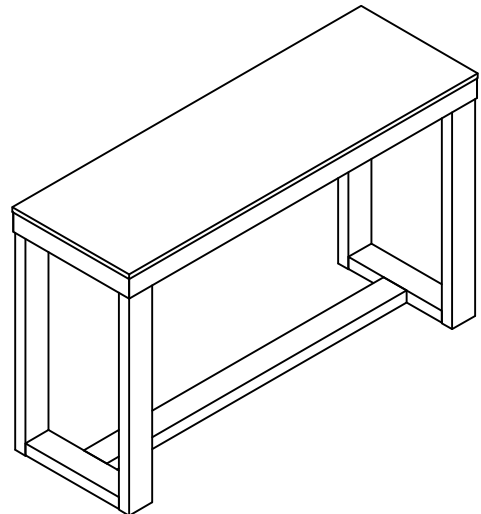
PART LIST FOR BAR TABLE				HARDWARE LIST PACKED INSIDE BOX			
No.	PART DESC	CODE.	Q'TY	No.	HARDWARE DESC	CODE.	Q'TY
A	Bar table top		1	1	 Bolt (Ø5/16**3")	PTHY100BTSPHW	6
B	Bar table left & right legs set (2 sets)	PTHY100BTSPLEG1	4	2	 Half-moon washer		6
C	Bar table side stretcher	PTHY100BTSPSTR1	2	3	 Hex nut (Ø5/16")		6
D	Bar table center stretcher	PTHY100BTSPSTR2	1	4	 Wrench (Ø5/16")		1
				5	 Flat Washer (Ø1/4")		8
				6	 Spring Washer (Ø1/4")		8
				7	 Allen bolt (Ø1/4**1-5/8")		8
				8	 Allen key (Ø1/8")		1
				9	 Power outlet+USB		PTHY100BTSPPLUG

 Only tighten all bolts when all bolts aligned with bolt inserts.

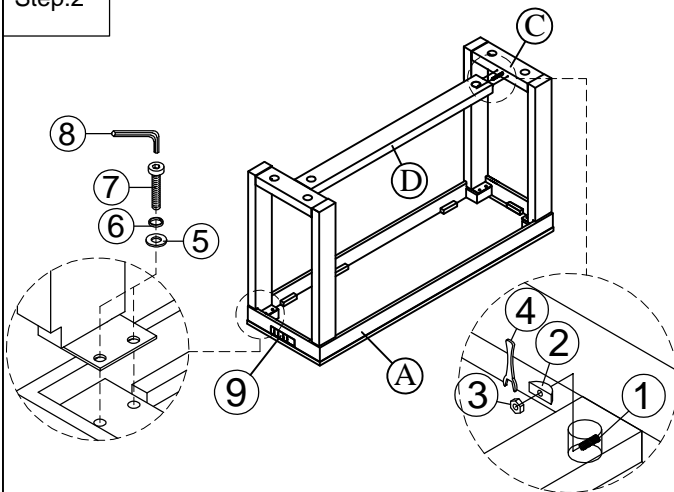
Step:1



Completed



Step:2

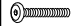



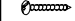



Assembly Instruction for BAR STOOL THY100BTSP

Caution: Please read instructions thoroughly before unpacking assembly parts. Sharp, exposed staple tips can cause injury, therefore, for your protection, please remove any exposed staples used in packing.

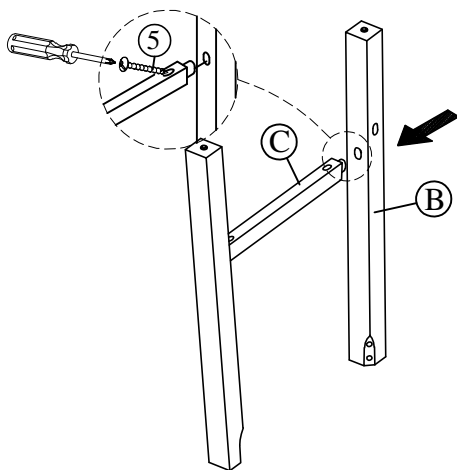
1. We recommend that you should assemble this product with the assistance of another person; this will make assembly easier, and will help to eliminate damage to the product or injury to persons during assembly.
2. Be sure to check all packing materials carefully for small parts that may have come loose inside the carton during shipment.
3. Please do not over tighten screws or bolts.
4. Please put all parts on a non-abrasive floor before assembly, and follow the assembly steps to assemble your newly purchased product correctly and efficiently.

PART LIST FOR HARDY BAR STOOL			
No.	PART DESC	CODE.	Q'TY
A	Bar stool seat frame with cushion	PTHY100BSTSEA	1
B	Bar stool left & right legs set (2 sets)	PTHY100BSTLEG1	4
C	Bar stool long stretcher	PTHY100BSTSTR1	2
D	Bar stool short stretcher	PTHY100BSTSTR2	2

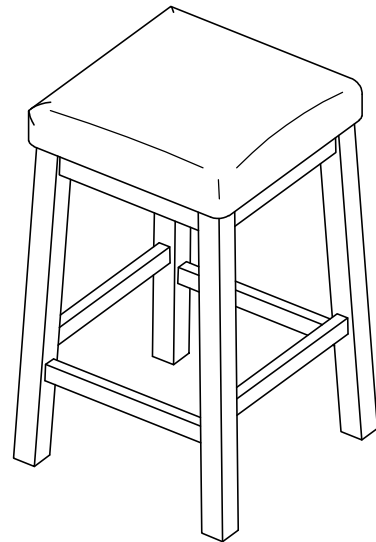
HARDWARE LIST PACKED INSIDE BOX			
No.	HARDWARE DESC	CODE.	Q'TY
1	 Allen bolt (Ø1/4"*2-3/8")	PTHY100BSTHW	8
2	 Spring Washer (Ø1/4")		8
3	 Flat Washer (Ø1/4")		8
4	 Allen key (Ø1/8")		1
5	 Screws (#4*1-1/2")		8

 Only tighten all bolts when all bolts aligned with bolt inserts.

Step:1



Completed



Step:2

