



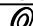
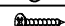




Assembly Instruction for WOODEN SWIRL BACK SIDE CHAIR DST750SC

Caution: Please read instructions thoroughly before unpacking assembly parts. Sharp, exposed staple tips can cause injury, therefore, for your protection, please remove any exposed staples used in packing.

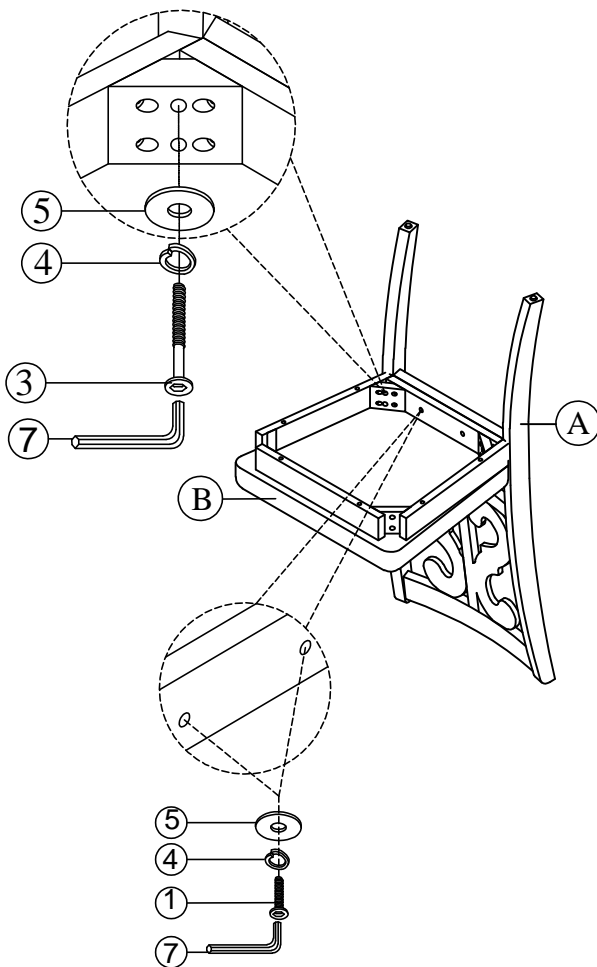
1. We recommend that you should assemble this product with the assistance of another person; this will make assembly easier, and will help to eliminate damage to the product or injury to persons during assembly.
2. Be sure to check all packing materials carefully for small parts that may have come loose inside the carton during shipment.
3. Please do not over tighten screws or bolts.
4. Please put all parts on a non-abrasive floor before assembly, and follow the assembly steps to assemble your newly purchased product correctly and efficiently.

PART LIST			
No.	PART DESC.	CODE.	Q'TY
A	Side Chair Back Frame	PDST750SCBFR	1
B	Side Chair Seat Frame With Cushion	PDST750SCSEA	1
C	Side Chair Left / Right Front Leg	PDST750SCLEG	1set
D	Side Chair Front Stretcher	PDST750SCSTR1	1
E	Side Chair Left / Right Side Stretcher	PDST750SCSTR2	1set

HARDWARE LIST			
No.	HARDWARE DESC.	CODE.	Q'TY
1	 Allen bolt (Ø1/4"×1-5/8")	PDST750SCHW	2
2	 Allen bolt (Ø1/4"×2-3/8")		4
3	 Allen bolt (Ø1/4"×3")		4
4	 Spring washer (Ø1/4")		10
5	 Flat washer (Ø1/4")		10
6	 Screw (#4×1-3/4")		6
7	 Allen key (Ø1/8")		1

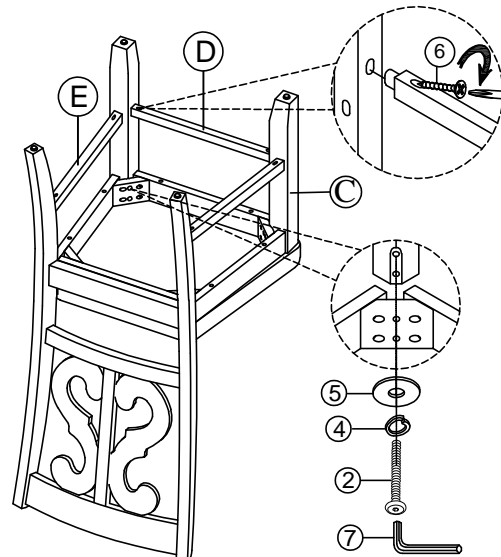
 Only tighten all bolts when all bolts aligned with bolt inserts.

Step 1: Assemble corners 1st as some adjustment may be needed.



Step 2: Assemble Center bolts after corner bolts assembled.

Step 3: Assemble Legs.



Complete

