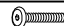
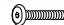
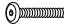


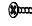
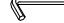


Assembly Instructions

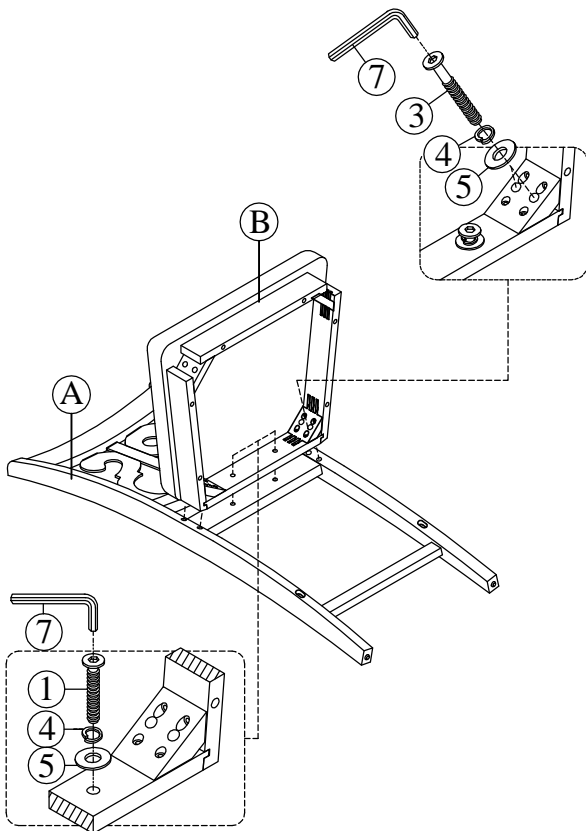
COUNTER WOODEN SWIRL BACK SIDE CHAIR CHARCOAL DST195CSC

Caution: Please read instructions thoroughly before unpacking assembly parts. Sharp, exposed staple tips can cause injury, therefore, for your protection, please remove any exposed staples used in packing.

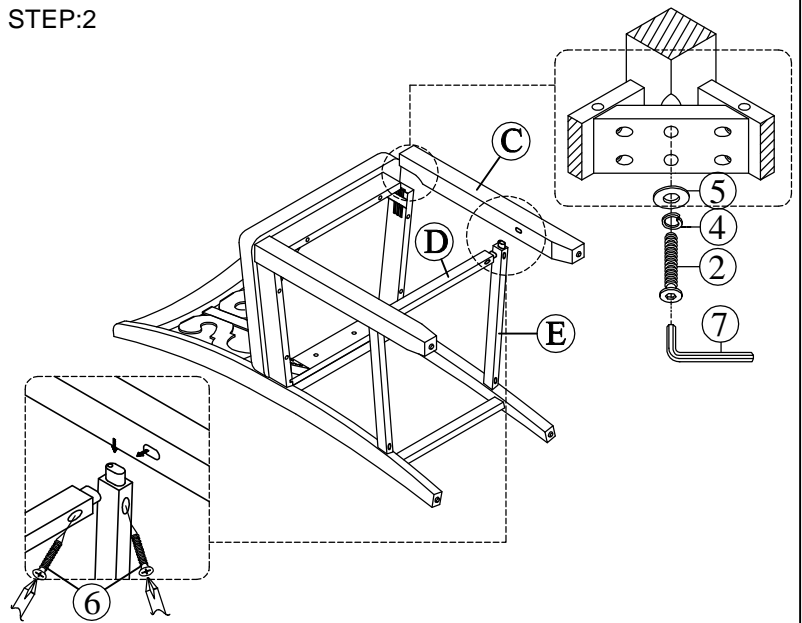
1. We recommend that you should assemble this product with the assistance of another person; this will make assembly easier, and will help to eliminate damage to the product or injury to persons during assembly.
2. Be sure to check all packing materials carefully for small parts that may have come loose inside the carton during shipment.
3. Please do not over tighten screws or bolts.
4. Please put all parts on a non-abrasive floor before assembly, and follow the assembly steps to assemble your newly purchased product correctly and efficiently.

PART LIST FOR PARSON CHAIR				HARDWARE LIST PACKED INSIDE BOX			
No.	PART DESC	CODE.	Q'TY	No.	HARDWARE DESC	CODE.	Q'TY
A	COUNTER WOODEN SWIRL BACK SIDE CHAIR CHARCOAL - BACK FRAME	PDST195CSCBFR	1	1	 ALLEN BOLT (1/4" x 40mm)	PDST195CSCSHW	2
B	COUNTER WOODEN SWIRL BACK SIDE CHAIR CHARCOAL - SEAT FRAME WITH CUSHION	PDST195CSCSEA	1	2	 ALLEN BOLT (1/4" x 60mm)		4
C	COUNTER WOODEN SWIRL BACK SIDE CHAIR CHARCOAL - LEFT/RIGHT FRONT LEG SET	PDST195CSCLEG	2	3	 ALLEN BOLT (1/4" x 75mm)		4
D	COUNTER WOODEN SWIRL BACK SIDE CHAIR CHARCOAL - FRONT STRETCHER	PDST195CSCSTR1	2	4	 SPRING WASHER (1/4")		10
E	COUNTER WOODEN SWIRL BACK SIDE CHAIR CHARCOAL - LEFT/RIGHT SIDE STRETCHER SET	PDST195CSCSTR2	1	5	 FLAT WASHER (1/4")		10
				6	 SCREWS (M4x38MM)		6
				7	 ALLEN KEY (M4)		1

STEP:1



STEP:2



COMPLETED

