

Assembly Instruction for


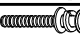

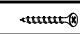

DINING SIDE CHAIR

DRZ100SC

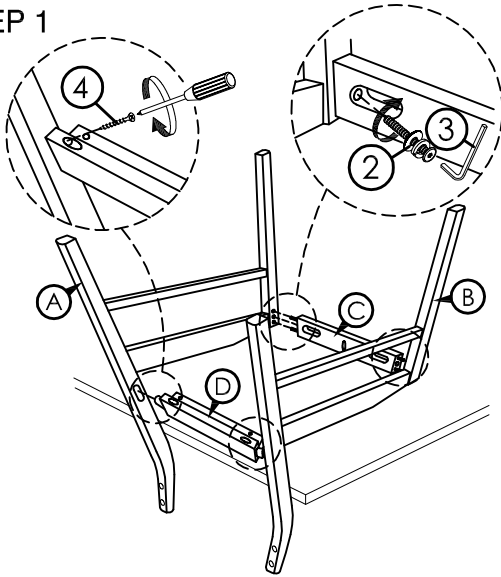
Caution: Please read instructions thoroughly before unpacking assembly parts. Sharp, exposed staple tips can cause injury, therefore, for your protection, please remove any exposed staples used in packing.

1. We recommend that you should assemble this product with the assistance of another person; this will make assembly easier, and will help to eliminate damage to the product or injury to persons during assembly.
2. Be sure to check all packing materials carefully for small parts that may have come loose inside the carton during shipment.
3. Please do not over tighten screws or bolts.
4. Please put all parts on a non-abrasive floor before assembly, and follow the assembly steps to assemble your newly purchased product correctly and efficiently.

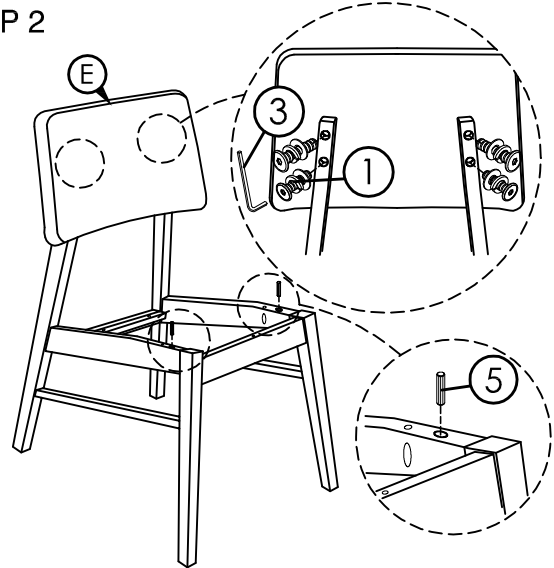
PART LIST			
No.	PART DESC.	CODE.	Q'TY
A	LEG FRAME (LEFT)	PDRZ100SCLEG	1
B	LEG FRAME (RIGHT)		1
C	FRONT RAIL	PDRZ100SCSTR1	1
D	BACK RAIL	PDRZ100SCSTR2	1
E	TOP REST	PDRZ100SCBFR	1
F	CUSHION CHAIR	PDRZ100SCSEA	1

HARDWARE LIST				
No.		HARDWARE DESC	CODE.	Q'TY
1		JCBC Bolt Set M6x30mm	PDRZ100SCHW	4
2		JCBC Bolt Set M6x50mm		2
3		Allen Key M4		1
4		FH Screw #8x32mm		7
5		Wood Dowel M8 x 25mm		2

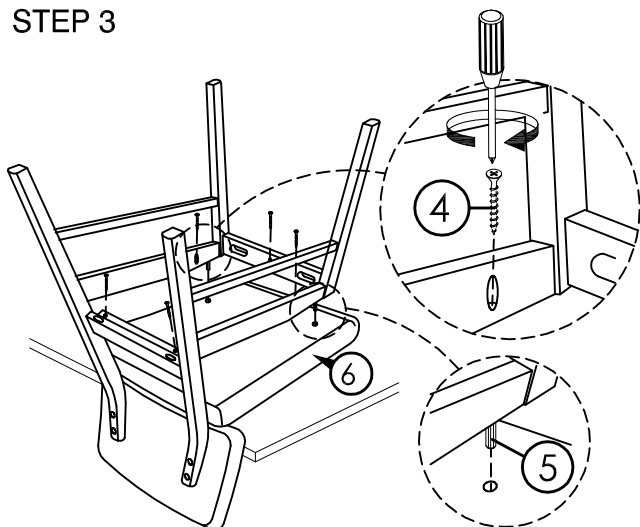
STEP 1



STEP 2



STEP 3



COMPLETED

