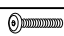

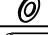
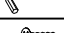
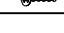


Assembly Instruction for COUNTER SIDE CHAIR DPR300CSCN

Caution: Please read instructions thoroughly before unpacking assembly parts. Sharp, exposed staple tips can cause injury, therefore, for your protection, please remove any exposed staples used in packing.

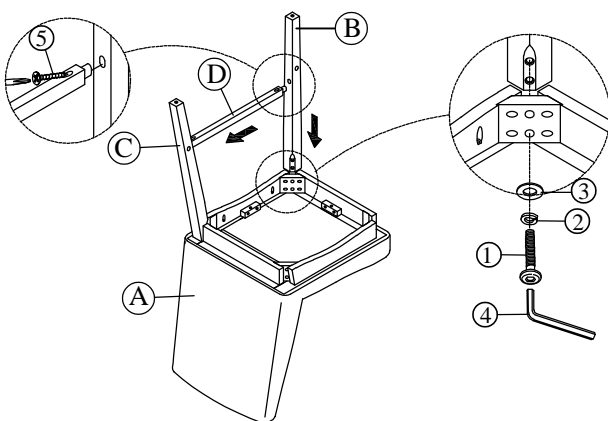
1. We recommend that you should assemble this product with the assistance of another person; this will make assembly easier, and will help to eliminate damage to the product or injury to persons during assembly.
2. Be sure to check all packing materials carefully for small parts that may have come loose inside the carton during shipment.
3. Please do not over tighten screws or bolts.
4. Please put all parts on a non-abrasive floor before assembly, and follow the assembly steps to assemble your newly purchased product correctly and efficiently.

PART LIST FOR COUNTER SIDE CHAIR			
No.	PART DESC	CODE.	Q'TY
A	COUNTER SIDE CHAIR - SEAT FRAME W/CUSHION		1
B	COUNTER SIDE CHAIR - L & R FRONT LEG	PDPR300CSCNLEG2	2
C	COUNTER SIDE CHAIR - L & R BACK LEG	PDPR300CSCNLEG1	2
D	COUNTER SIDE CHAIR - SIDE STRETCHER	PDPR300CSCNSTR2	2
E	COUNTER SIDE CHAIR - FRONT & BACK STRETCHER	PDPR500CSCSTR1	2

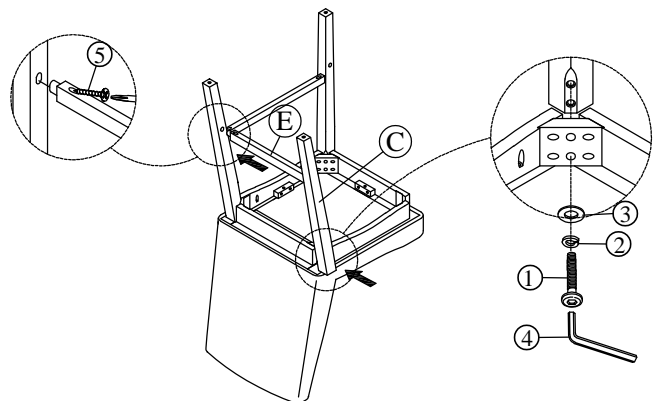
HARDWARE LIST PACKED INSIDE BOX			
No.	HARDWARE DESC	CODE.	Q'TY
1	 ALLEN BOLT (Ø5/16**2-3/8")	PDPR500CSCHW	8
2	 SPRING WASHER (Ø1/4")		8
3	 FLAT WASHER (Ø1/4")		8
4	 ALLEN KEY (Ø1/8")		1
5	 SCREW (#4*1-1/2")		8

⚠ Only tighten all bolts when all bolts aligned with bolt inserts.

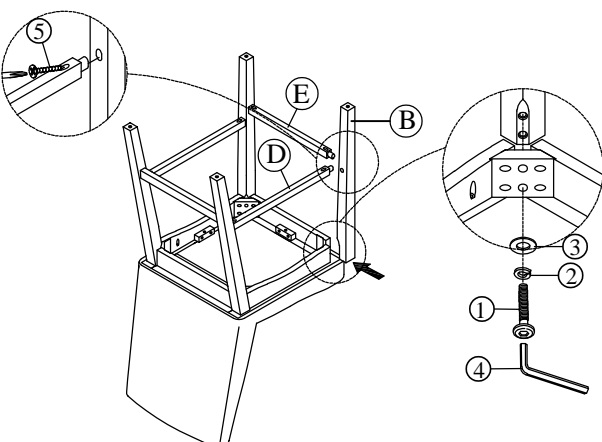
STEP:1



STEP:2



STEP:3



COMPLETED

