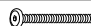
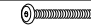



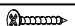



Assembly Instruction for DINING STRAIGHT LEG SIDE CHAIR DGC500SLSC

Caution: Please read instructions thoroughly before unpacking assembly parts. Sharp, exposed staple tips can cause injury, therefore, for your protection, please remove any exposed staples used in packing.

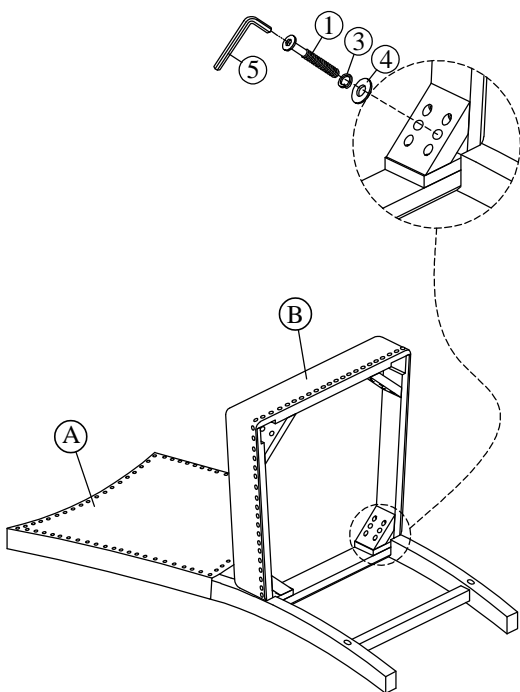
1. We recommend that you should assemble this product with the assistance of another person; this will make assembly easier, and will help to eliminate damage to the product or injury to persons during assembly.
2. Be sure to check all packing materials carefully for small parts that may have come loose inside the carton during shipment.
3. Please do not over tighten screws or bolts.
4. Please put all parts on a non-abrasive floor before assembly, and follow the assembly steps to assemble your newly purchased product correctly and efficiently.

PART LIST FOR CHAIR			
No.	PART DESC.	CODE.	Q'TY
A	Straight Leg Side Chair - Back Frame	PDGC500SLSCBFR	1
B	Straight Leg Side Chair - Seat Frame w/Cushion	PDGC500SLSCSEA	1
C	Straight Leg Side Chair - L & R Front Legs	PDGC500SLSCLEG	2
D	Straight Leg Side Chair - L & R Side Stetcher	PDGC500SLSCSTR1	2
E	Straight Leg Side Chair - Center Stetcher	PDGC500SLSCSTR2	1

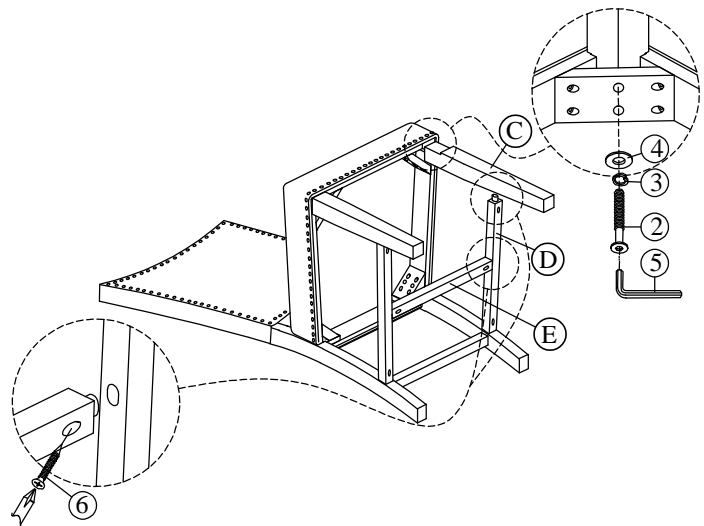
HARDWARE LIST PACKED INSIDE BOX			
No.	HARDWARE DESC	CODE.	Q'TY
1	 Allen Bolt (Ø1/4"×2-3/4")	PDGC500SLSCHW	4
2	 Allen Bolt (Ø1/4"×2-3/8")		4
3	 Spring washer (Ø1/4")		8
4	 Flat washer (Ø1/4")		8
5	 Allen key (Ø1/8")		1
6	 Screw (#4×1-1/2")		6

 Only tighten all bolts when all bolts aligned with bolt inserts.

STEP:1



STEP:2



COMPLETED

