

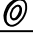

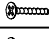



Assembly Instruction for DINING TABLE DEP4005DS

Caution: Please read instructions thoroughly before unpacking assembly parts. Sharp, exposed staple tips can cause injury, therefore, for your protection, please remove any exposed staples used in packing.

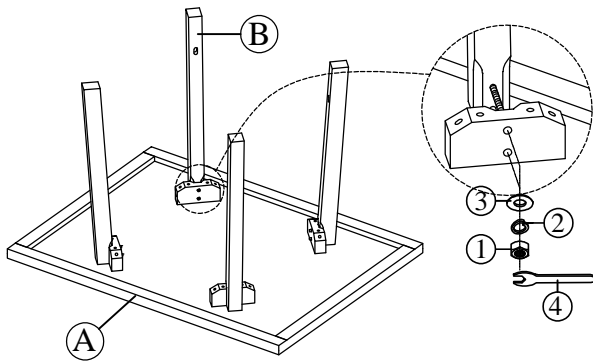
1. We recommend that you should assemble this product with the assistance of another person; this will make assembly easier, and will help to eliminate damage to the product or injury to persons during assembly.
2. Be sure to check all packing materials carefully for small parts that may have come loose inside the carton during shipment.
3. Please do not over tighten screws or bolts.
4. Please put all parts on a non-abrasive floor before assembly, and follow the assembly steps to assemble your newly purchased product correctly and efficiently.

PART LIST FOR TABLE			
No.	PART DESC	CODE.	Q'TY
A	Dining Table - Top		1
B	Dining Table - Legs	PDEP4005DSLEG1	4
C	Dining Table - L&R Cross Stretcher	PDEP4005DSTR1	2

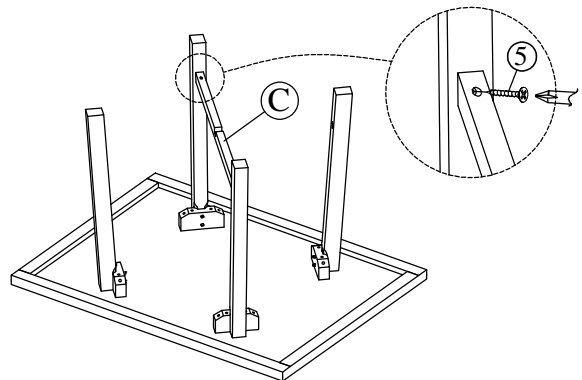
HARDWARE LIST FOR TABLE				
No.		HARDWARE DESC	CODE.	Q'TY
1		Hex nut (Ø5/16**1/2")	PDEP4005DSHW1	8
2		Spring washer (Ø5/16")		8
3		Flat washer (Ø5/16**3/4")		8
4		Open wrench (Ø5/16")		1
5		Screw (#4*1-1/2")		4
6		Screw (#4*1")		1

⚠ Only tighten all bolts when all bolts aligned with bolt inserts.

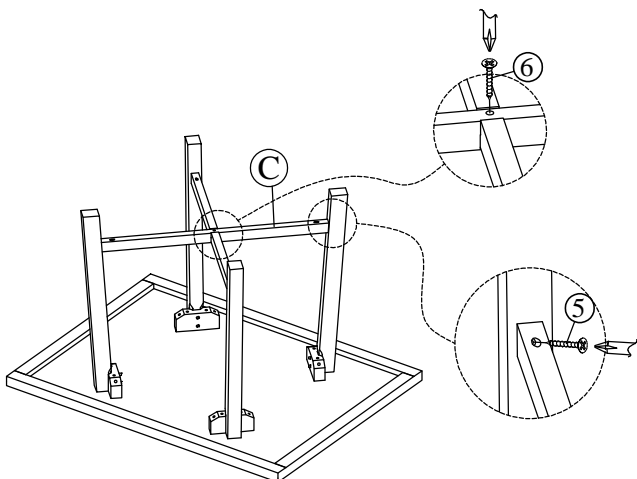
Step 1



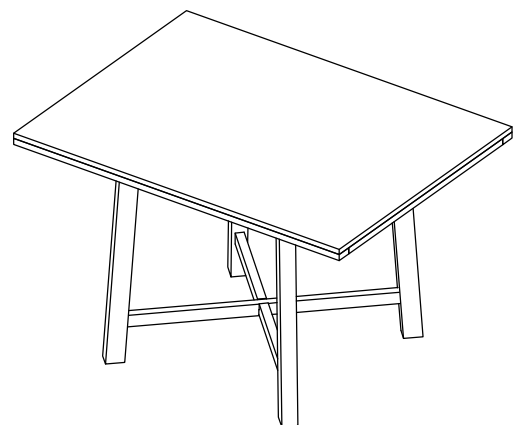
Step 2



Step 3



Completed






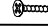
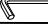




Assembly Instruction for DINING SIDE CHAIR DEP4005DS

Caution: Please read instructions thoroughly before unpacking assembly parts. Sharp, exposed staple tips can cause injury, therefore, for your protection, please remove any exposed staples used in packing.

1. We recommend that you should assemble this product with the assistance of another person; this will make assembly easier, and will help to eliminate damage to the product or injury to persons during assembly.
2. Be sure to check all packing materials carefully for small parts that may have come loose inside the carton during shipment.
3. Please do not over tighten screws or bolts.
4. Please put all parts on a non-abrasive floor before assembly, and follow the assembly steps to assemble your newly purchased product correctly and efficiently.

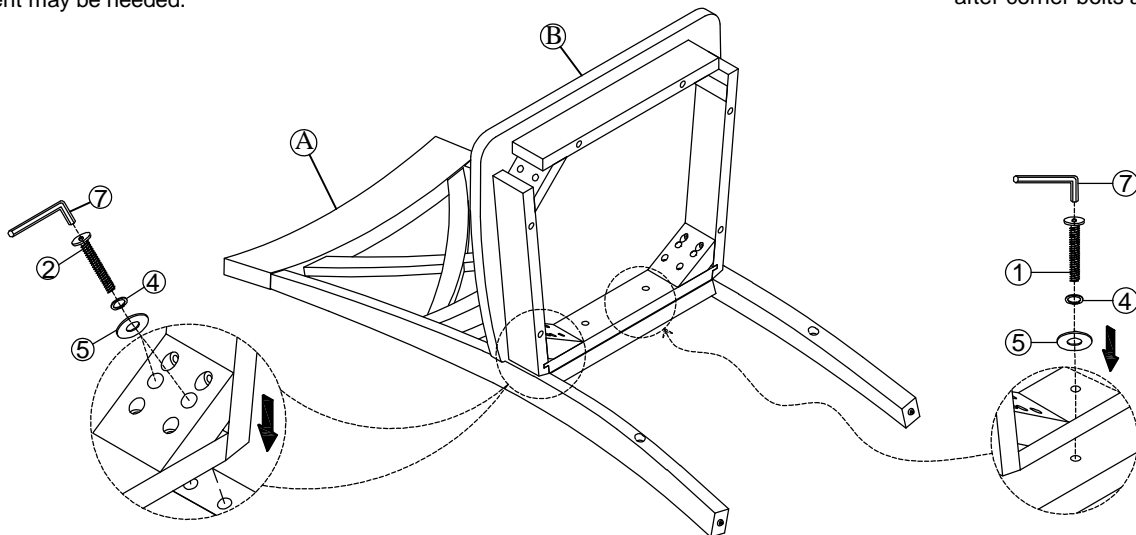
PART LIST FOR CHAIR			
No.	PART DESC	CODE.	Q'TY
A	Dining Side Chair - Back Frame With 2 Back Legs	PDEP4005DSBFR	1
B	Dining Side Chair - Seat Board w/ Frame	PDEP4005DSSEA	1
C	Dining Side Chair - Left & Right Front Legs	PDEP4005DSLEG2	2
D	Dining Side Chair - Left & Right Stretcher	PDEP4005DSSTR2	2

HARDWARE LIST FOR CHAIR			
No.	HARDWARE DESC	CODE.	Q'TY
1	 Allen bolt (Ø1/4**1-5/8")	PDEP4005DSHW2	2
2	 Allen bolt (Ø1/4**3")		4
3	 Hex nut (Ø5/16**1/2")		4
4	 Spring washer (Ø1/4")		10
5	 Flat washer (Ø1/4**3/4")		10
6	 Screw (#4*1-1/2")		4
7	 Allen key (Ø1/8")		1
8	 Open wrench (Ø5/16")		1

 Only tighten all bolts when all bolts aligned with bolt inserts.

Step 1: Assemble corners 1st as some adjustment may be needed.

Step 2: Assemble Center bolts after corner bolts assembled.



Step 3: Assemble Legs.

Completed

