

Assembly Instruction for COUNTER SIDE CHAIR DAX100CSC & DAX400CSC

Caution: Please read instructions thoroughly before unpacking assembly parts. Sharp, exposed staple tips can cause injury, therefore, for your protection, please remove any exposed staples used in packing.

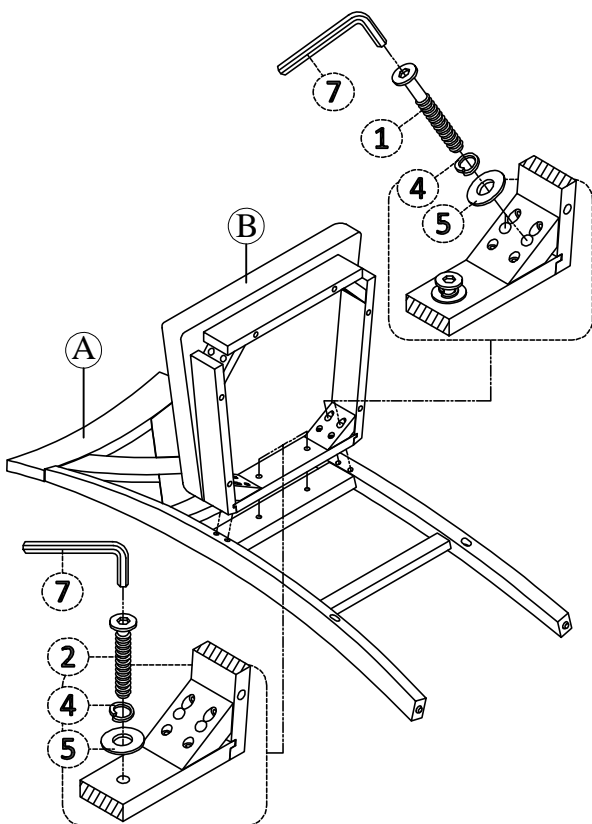
1. We recommend that you should assemble this product with the assistance of another person; this will make assembly easier, and will help to eliminate damage to the product or injury to persons during assembly.
2. Be sure to check all packing materials carefully for small parts that may have come loose inside the carton during shipment.
3. Please do not over tighten screws or bolts.
4. Please put all parts on a non-abrasive floor before assembly, and follow the assembly steps to assemble your newly purchased product correctly and efficiently.

PART LIST FOR CHAIR			
No.	PART DESC	CODE.	Q'TY
A	COUNTER SIDE CHAIR BACK FRAME	PDAX100CSCBFR PDAX400CSCBFR	1
B	COUNTER SIDE CHAIR SEAT FRAME W/CUSHION	PDAX100CSCSEA PDAX400CSCSEA	1
C	COUNTER SIDE CHAIR L / R FRONT LEG	PDAX100CSCFLEG PDAX400CSCFLEG	2
D	COUNTER SIDE CHAIR L / R SIDE STRETCHER	PDAX100CSCSTR2 PDAX400CSCSTR2	2
E	COUNTER SIDE CHAIR FRONT STRETCHER	PDAX100CSCSTR1 PDAX400CSCSTR1	1

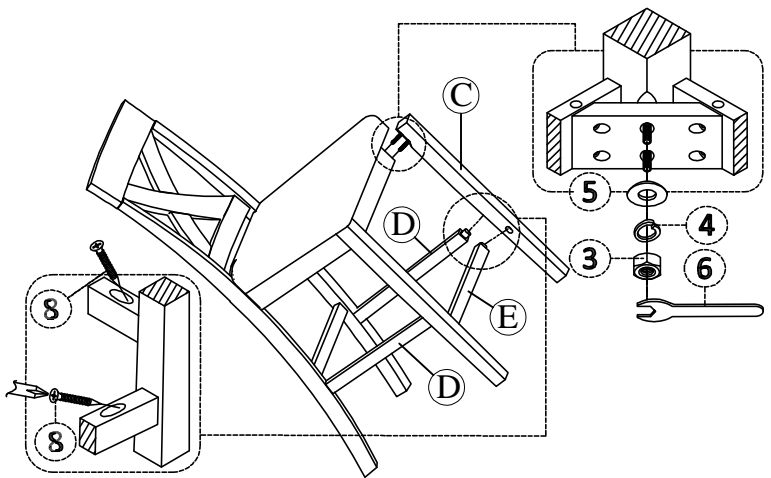
HARDWARE LIST PACKED INSIDE BOX			
No.	HARDWARE DESC	CODE.	Q'TY
1	ALLEN BOLT (Ø1/4**3")	PDAX100CSCHW PDAX400CSCHW	4
2	ALLEN BOLT (Ø1/4**1-5/8")		2
3	Nut (Ø5/16")		4
4	SPRING WASHER (Ø5/16")		10
5	FLAT WASHER (Ø5/16")		10
6	WRENCH (Ø5/16")		1
7	ALLEN KEY (Ø1/8")		1
8	SCREWS/ VIS (#4*1-1/2")		6

Only tighten all bolts when all bolts aligned with bolt inserts.

STEP:1



STEP:2



COMPLETED

