





# Assembly Instruction For 42" Round Dining Table D.8870.DTE






**CAUTION:** Please read intructions thoroughly before unpacking assembly parts. Sharp, exposed staple tips can cause injury, therefore, for your protection, please remove any exposed staples used in packing.

1. We recommend that you should assemble this product with the assistance of another person, this will make assembly easier, and will help to eliminate damage to the product or injury to persons during assembly.
2. Be sure to check all packing materials carefully for small parts that may have come loose inside the carton during shipment.
3. Please do not over tighten screws or bolts.
4. Please put all parts on a non-abrasive floor before assembly, and follow the assembly steps to assemble your newly purchased product correctly and efficiently.

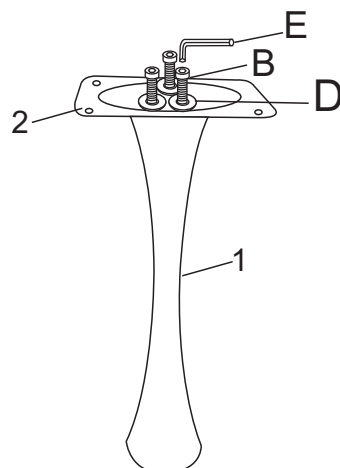
## PART LIST

NO.		PART DESC	CODE	QTY
1		COLUMN	DTLEG	1
2		MOUNTING PLATE	DTMTP	1
3		TABLE TOP	DTTOP	1
4		BASE	DTBAS	1

## HARDWARE LIST

NO.		HARDWARE DESC	CODE	QTY
A		ALLEN BOLT(M6X14MM)	DTHW	4
B		ALLEN BOLT(M8X30MM)		6
C		FLAT WASHER(M6)		4
D		FLAT WASHER(M8)		6
E		ALLEN KEY		1

STEP 1

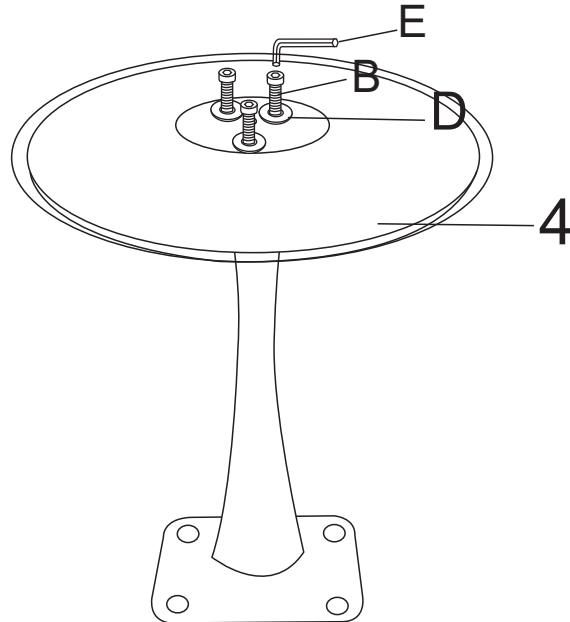


Note: Please ensure B is tightened.

1
2
Bx3
Dx3
E

# Assembly Instruction For 42" Round Dining Table D.8870.DTE

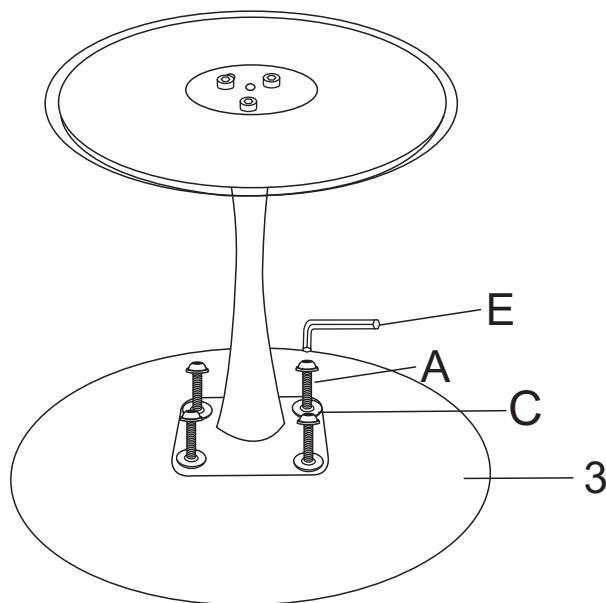
STEP 2



Note: Please ensure B is tightened.

4
BX3
Dx3
E

STEP 3



Note: Please ensure A is tightened.

3
AX4
Cx4
E

Assembly Instruction For  
42" Round Dining Table  
D.8870.DTE

STEP 4



Completed