



Assembly Instruction For 5 PCS DINING SET D.500.5DS

CAUTION: Please read intructions thoroughly before unpacking assembly parts. Sharp, exposed staple tips can cause injury, therefore, for your protection, please remove any exposed stapies used in packing.

1. We recommend that you should assemble this product with the assistance of another person, this will make assembly easier, and will help to eliminate damage to the product or injury to persons during assembly.
2. Be sure to check all packing materials carefully for small parts that may have come loose inside the carton during shipment.
3. Please do not over tighten screws or bolts.
4. Please put all parts on a non-abrasive floor before assembly, and follow the assembly steps to assemble your newly purchased product correctly and efficiently.

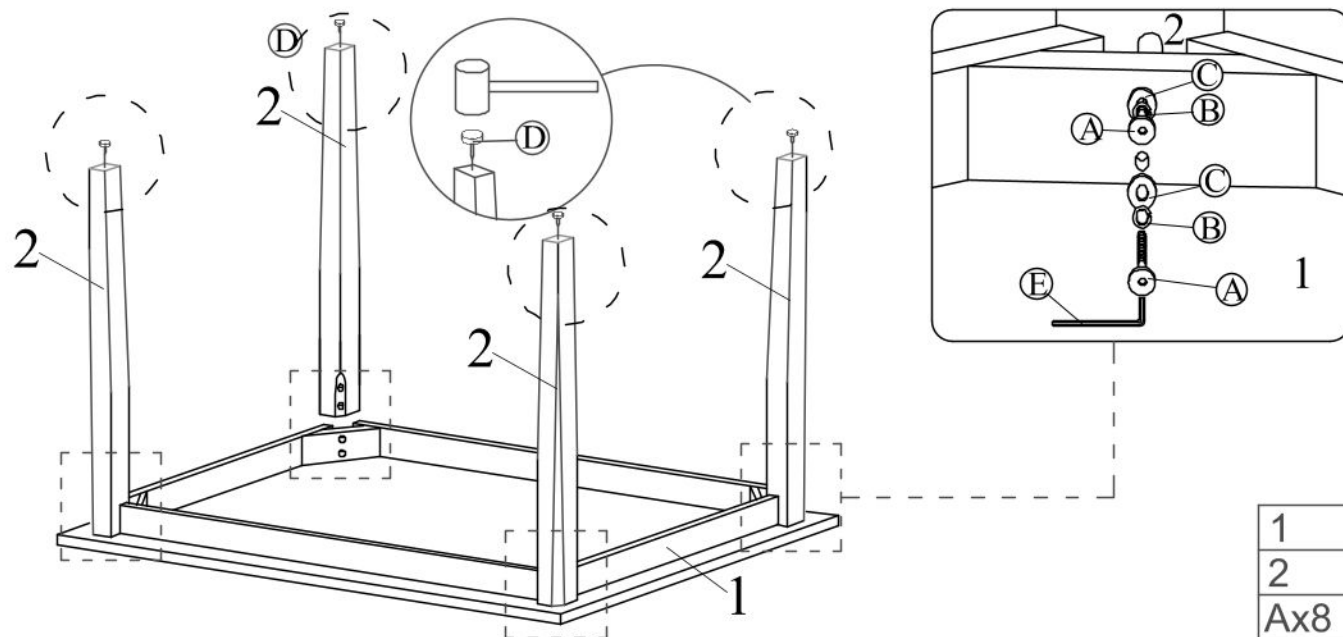
PART LIST FOR TABLE

NO.	PART DESC	CODE	QTY
1	 TABLE TOP	PD.500.DTTOP	1
2	 TABLE LEG	PD.500.DTLEG	4

HARDWARE LIST FOR TABLE

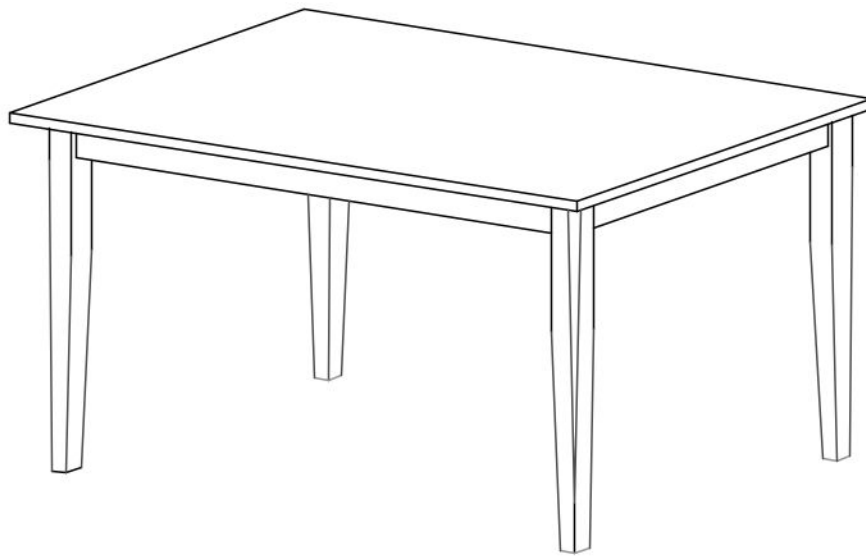
NO.	HARDWARE DESC	CODE	QTY
A	 JCBB M8 x 70MM	DTHW	8
B	 SPRING WASHER		8
C	 FLAT WASHER		8
D	 PVC NAIL		4
E	 M5 ALLEN KEY		1

STEP 1



1
2
Ax8
Bx8
Cx8
Dx4
E

Assembly Instruction For
5 PCS DINING SET
D.500.5DS





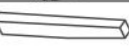

Completed

Assembly Instruction For 5 PCS DINING SET D.500.5DS









CAUTION: Please read instructions thoroughly before unpacking assembly parts. Sharp, exposed staple tips can cause injury, therefore, for your protection, please remove any exposed staples used in packing.

1. We recommend that you should assemble this product with the assistance of another person, this will make assembly easier, and will help to eliminate damage to the product or injury to persons during assembly.
2. Be sure to check all packing materials carefully for small parts that may have come loose inside the carton during shipment.
3. Please do not over tighten screws or bolts.
4. Please put all parts on a non-abrasive floor before assembly, and follow the assembly steps to assemble your newly purchased product correctly and efficiently.

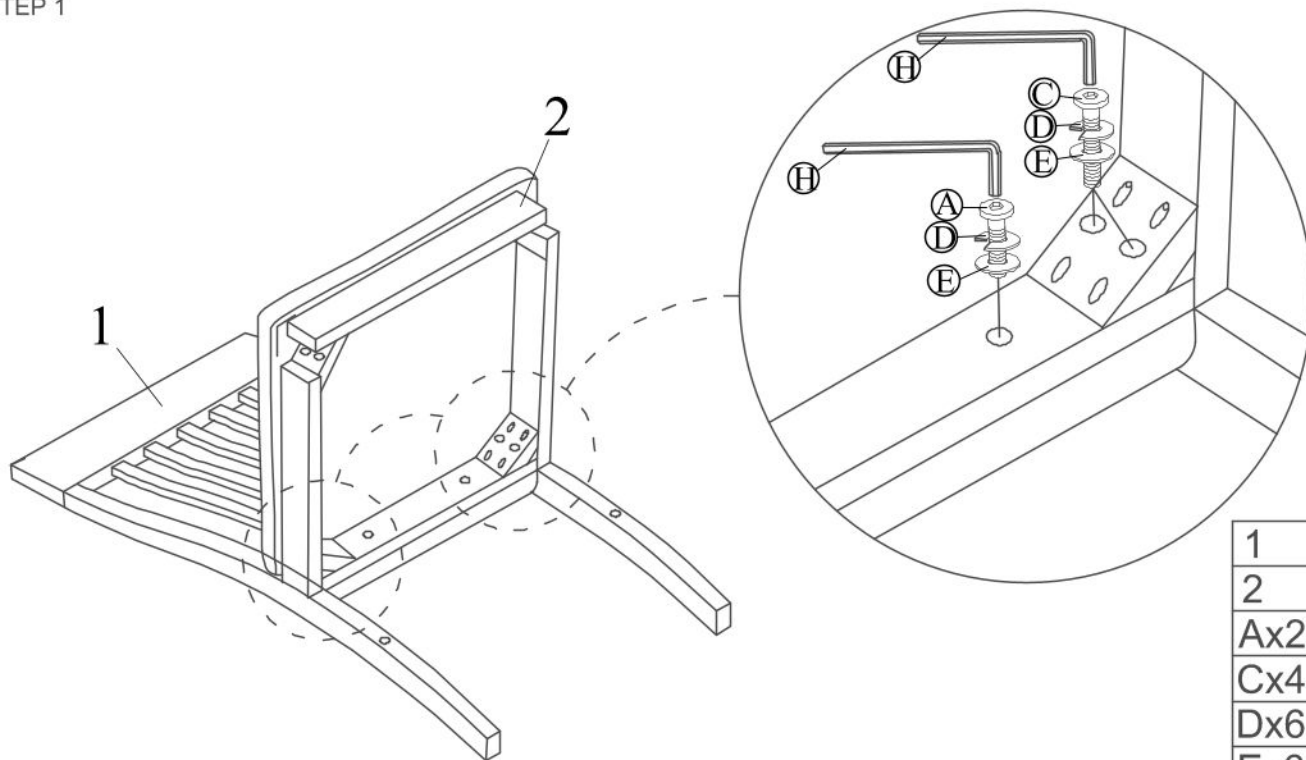
PART LIST FOR CHAIR

NO.	PART DESC	CODE	QTY
1	 BACK REST	PD.500.SCBFR	1
2	 SEAT FRAME	PD.500.SCSEA	1
3	 LEG L/R	PD.500.SCLEG	2
4	 STRETCHER L/R	PD.500.SCSTR	2

HARDWARE LIST FOR CHAIR

NO.	HARDWARE DESC	CODE	QTY
A	 JCBC M8 x 40MM	SCHW	2
B	 JCBC M8 x 60MM		4
C	 JCBC M8 x 80MM		4
D	 SPRING WASHER		10
E	 FLAT WASHER		10
F	 M4 X 32MM CSK		4
G	 PVC NAIL		4
H	 M4 ALLEN KEY		1

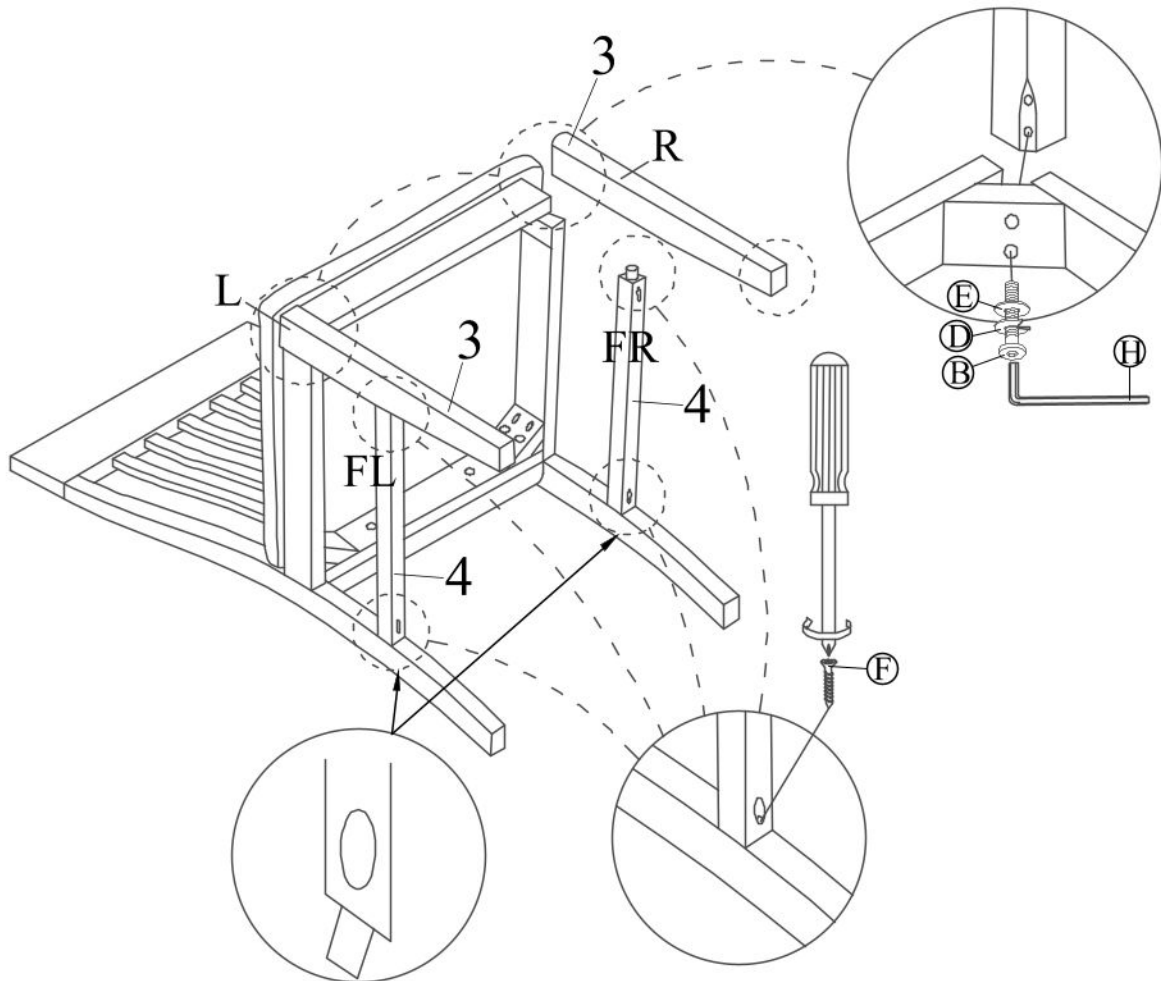
STEP 1



1
2
Ax2
Cx4
Dx6
Ex6
H

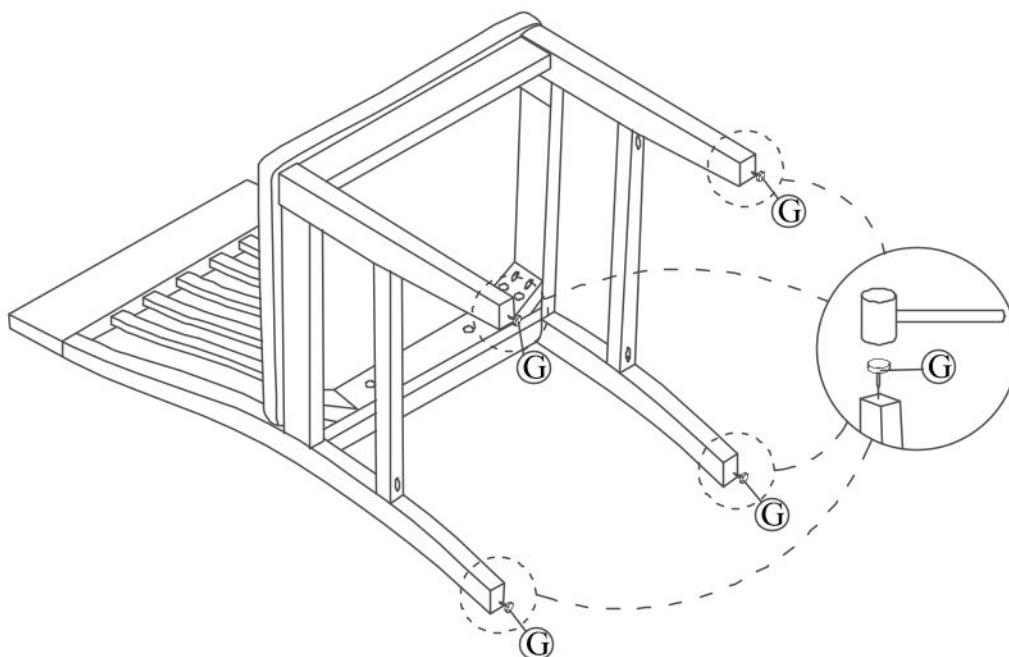
Assembly Instruction For 5 PCS DINING SET D.500.5DS

STEP 2



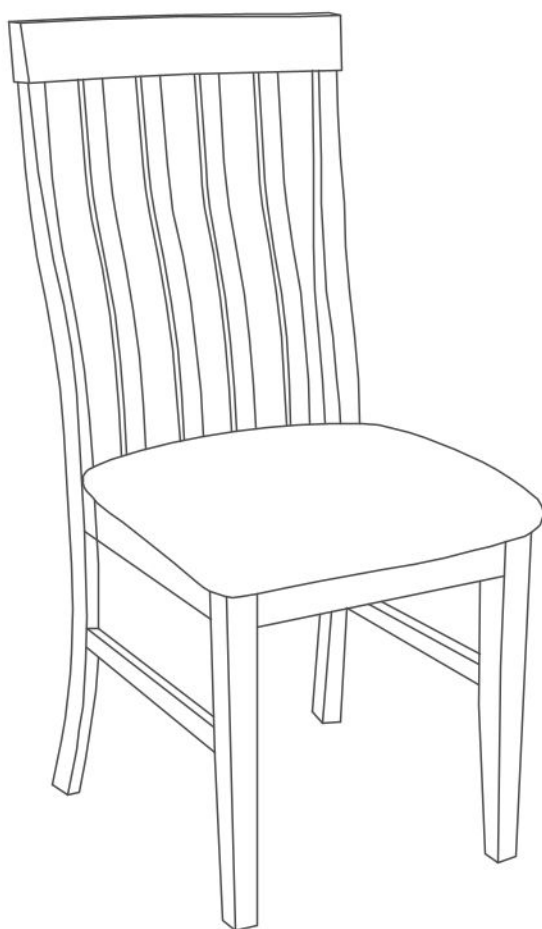
3
4
Bx4
Dx4
Ex4
Fx4
H

STEP 3



Gx4

Assembly Instruction For
5 PCS DINING SET
D.500.5DS



Completed