

# Assembly Instruction for SIDE CHAIR D.1270.SC

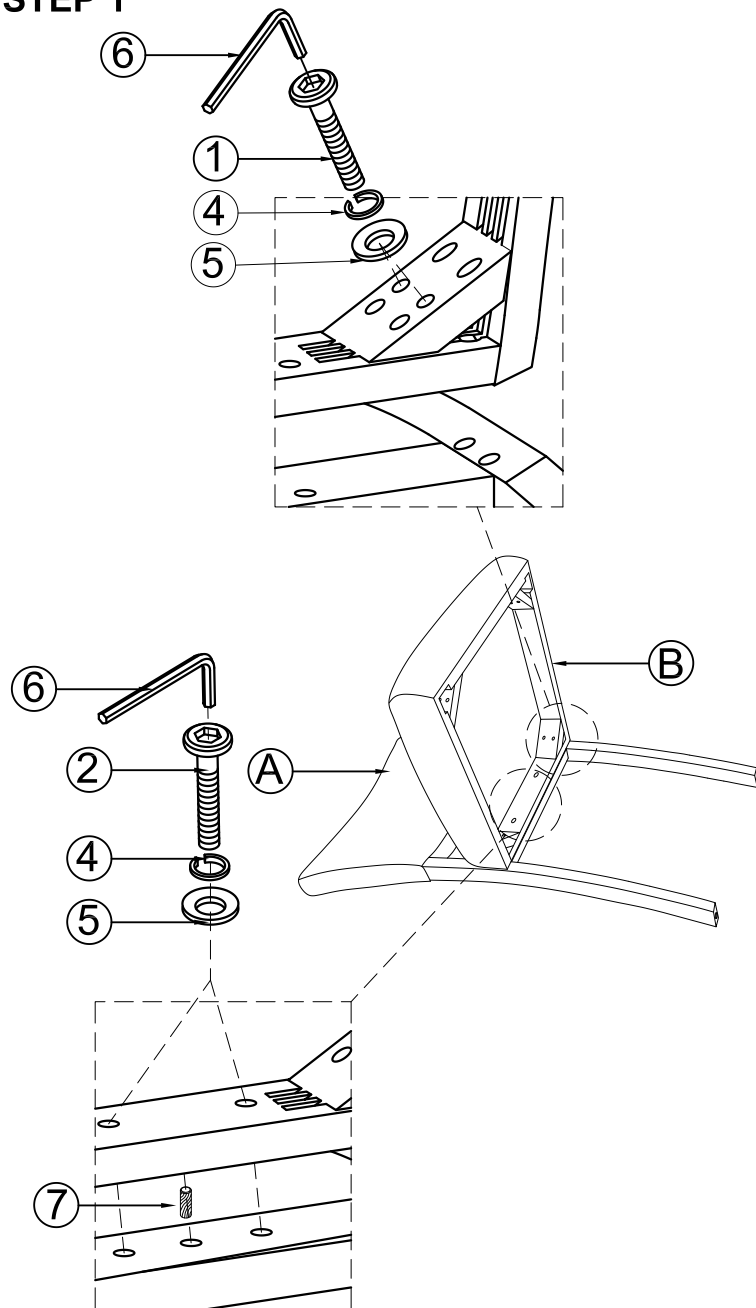
Caution: Please read instructions thoroughly before unpacking assembly parts. Sharp, exposed staple tips can cause injury, therefore, for your protection, please remove any exposed staples used in packing.

1. We recommend that you should assemble this product with the assistance of another person; this will make assembly easier, and will help to eliminate damage the product or injury to persons during assembly.
2. Be sure to check all packing materials carefully for small parts that may have come loose inside the carton during shipment.
3. Please do not over tighten screws or bolts.
4. Please put all parts on a non-abrasive floor before assembly, and follow the assembly steps to assemble your newly purchased product correctly and efficiently.

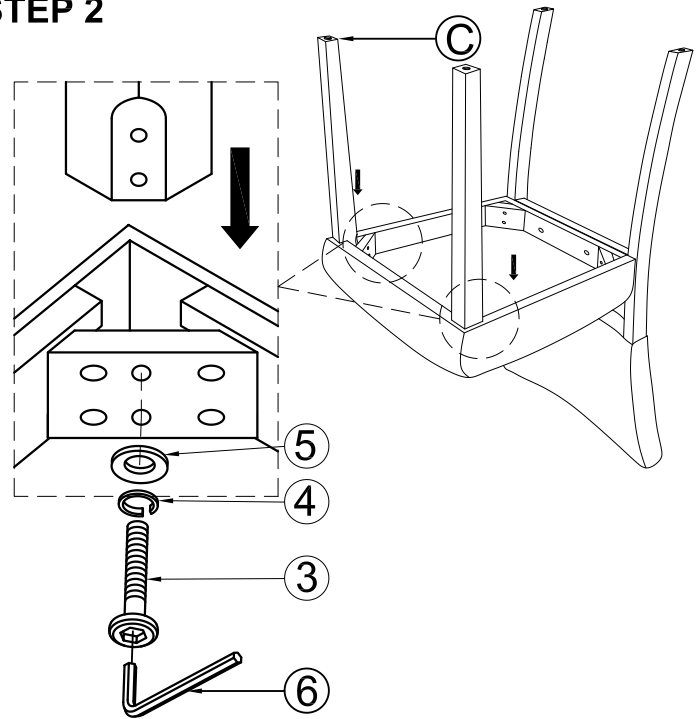
PART LIST			
NO.	PART DESC	CODE	Q'TY
A	SIDE CHAIR - BACK FRAME WITH CUSHION IN WHITE	PD.1270.SCBFR	1
B	SIDE CHAIR - SEAT FRAME WITH CUSHION IN WHITE	PD.1270.SCSEC	1
C	SIDE CHAIR - LEFT&RIGHT FRONT LEGS	PD.1270.SCLEG	2

HARDWARE LIST			
NO.	HARDWARE DESC	CODE	Q'TY
1	BOLT Ø5/16"x85mm	PD.1270.SCHW	4
2	BOLT Ø5/16"x38mm		2
3	BOLT Ø5/16"x50mm		4
4	LOCK WASHER Ø5/16"		10
5	FLAT WASHER Ø5/16"		10
6	ALLEN KEY M5		1
7	WOOD DOWEL Ø10x30mm		1

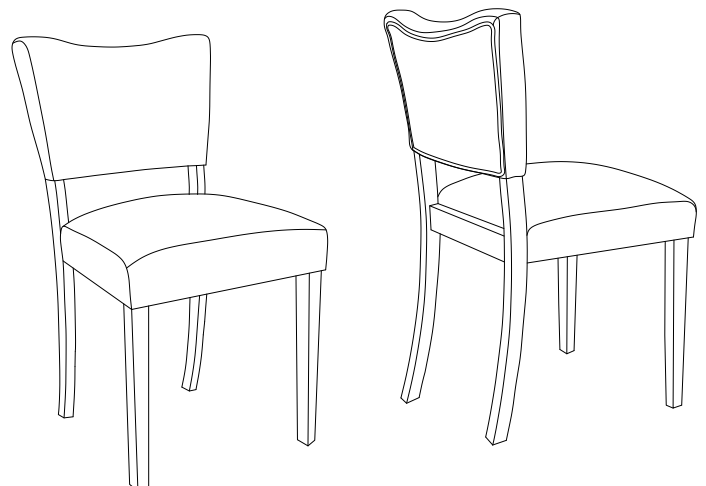
## STEP 1



## STEP 2



## COMPLETED



**MADE IN VIETNAM**