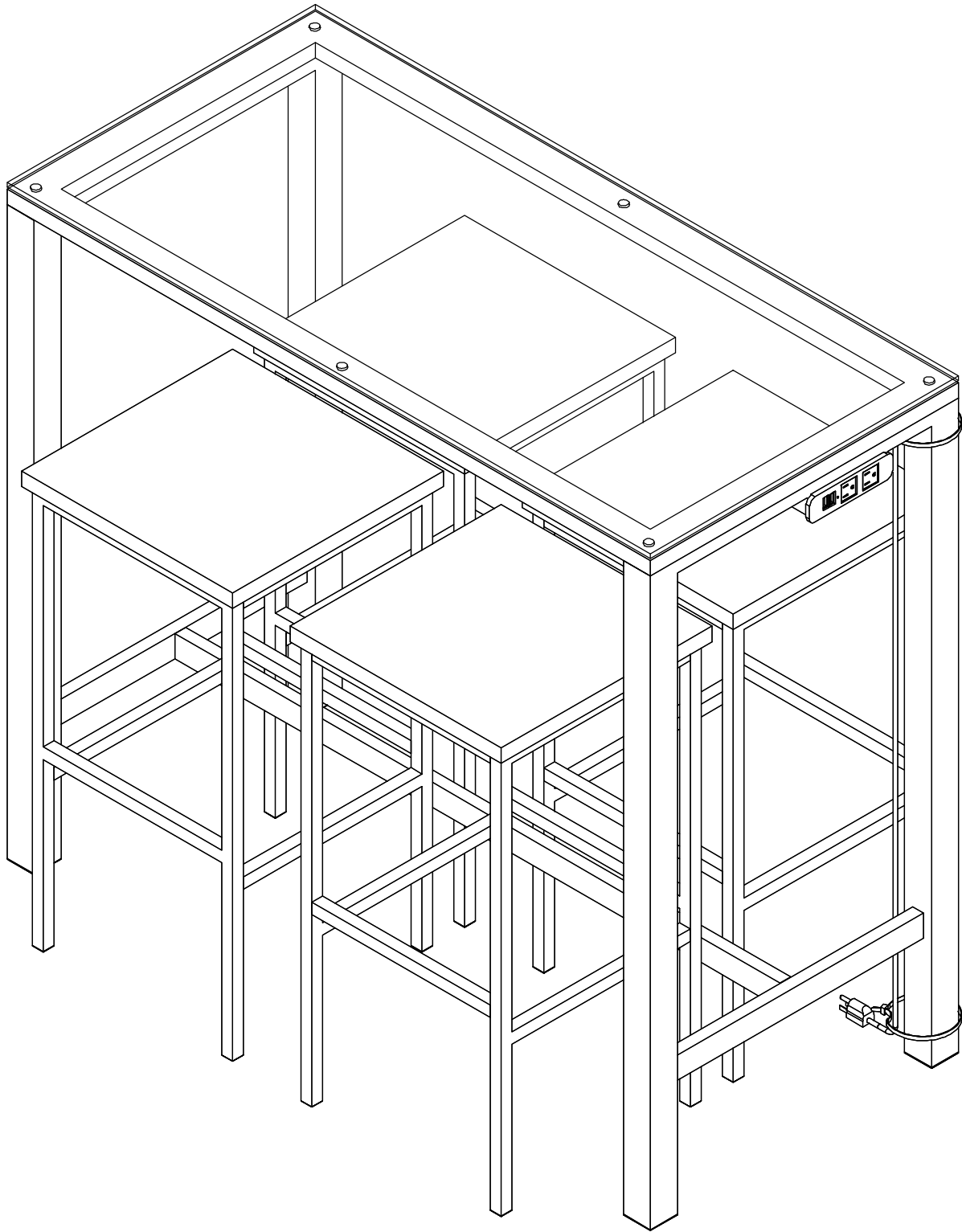


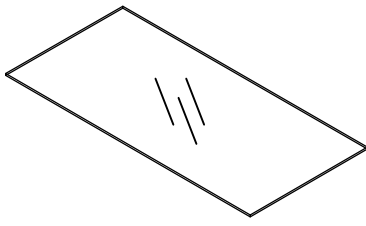
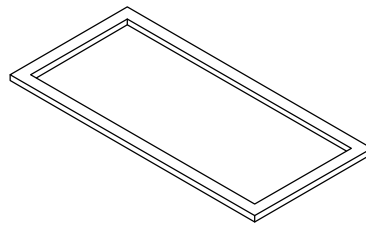
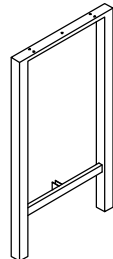
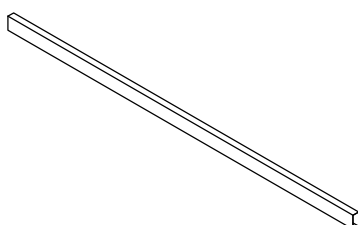
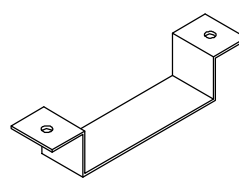
Lancy Bar Table + 4 Stools
Item #: CTLN100BTSP
ASSEMBLY INSTRUCTIONS

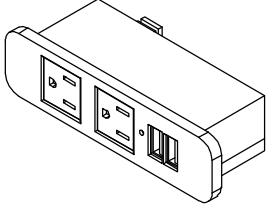
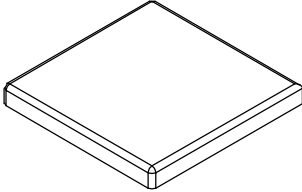
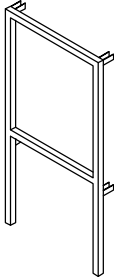
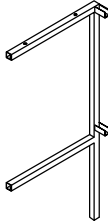
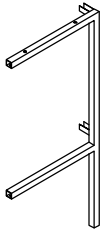
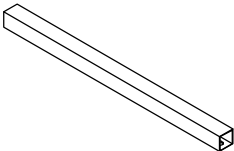


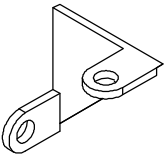
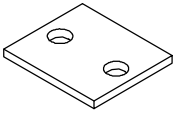
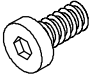
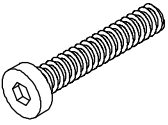
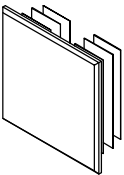

ASSEMBLY INSTRUCTIONS

Item #: CTLN100BTSP


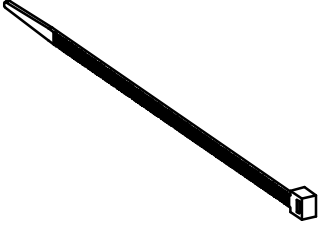


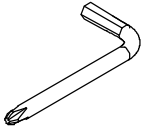
**Please identify and locate all assembly parts (see parts list) before discarding any packing materials.
Some parts may have become loose during transit.**

PARTS LIST			
NO.	SKETCH	DESCRIPTION	QTY
1		BAR TABLE GLASS TOP	1PC
2		BAR TABLE TOP FRAME	1PC
3		BAR TABLE SIDE FRAME	2PCS
4		BAR TABLE CROSSBAR	1PC
5		BAR TABLE SUPPORT METAL	1PC

NO.	SKETCH	DESCRIPTION	QTY
6		POWER OUTLET	1PC
7		CHAIR SEAT CUSHION	1PC
8		CHAIR FRONT FRAME	1PC
9		CHAIR LEFT FRAME	1PC
10		CHAIR RIGHT FRAME	1PC
11		CHAIR CROSSBAR	2PCS

NO.	SKETCH	DESCRIPTION	QTY
12		TRIANGLE METAL	4PCS
13		SUPPORT METAL	3PCS
14		SHORT BOLT 1/4" x 12mm	29PCS
15		LONG BOLT 1/4" x 38mm	14PCS
16		LARGE CAP 50 x 50mm	4PCS
17		SMALL CAP 20 x 20mm	4PCS

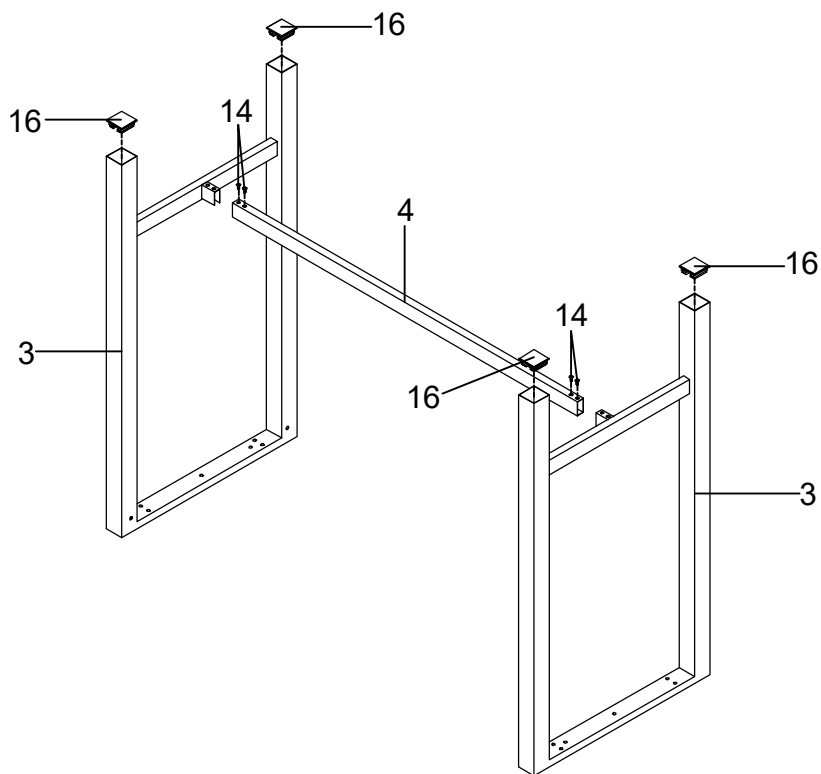
NOTE: QUANTITIES SHOWN ARE FOR ONE TABLE AND ONE STOOL

NO.	SKETCH	DESCRIPTION	QTY
18		<p>SUCTION CUP $\phi 15 \times 2.7\text{mm}$</p>	6PCS
19		<p>RESTRAINT STRAP</p>	2PCS
20		<p>WASHER $\phi 16\text{mm}$</p>	3PCS
21		<p>COVER</p>	8PCS
22		<p>ALLEN KEY 4mm</p>	1PC

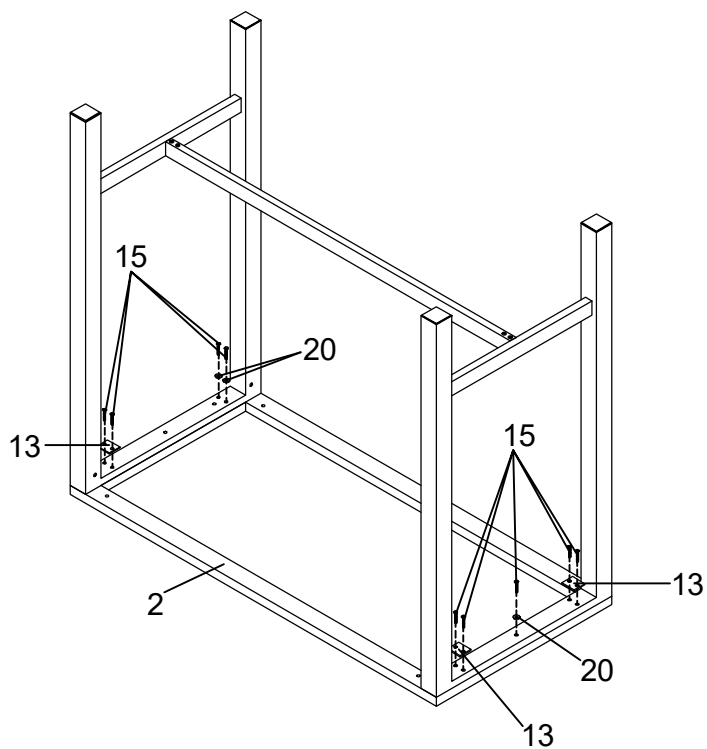
NOTE: Do not tighten until each step is completed or instructed.

Step 1: 1. Insert Large Cap (16) into the Bar Table Side Frame (3).

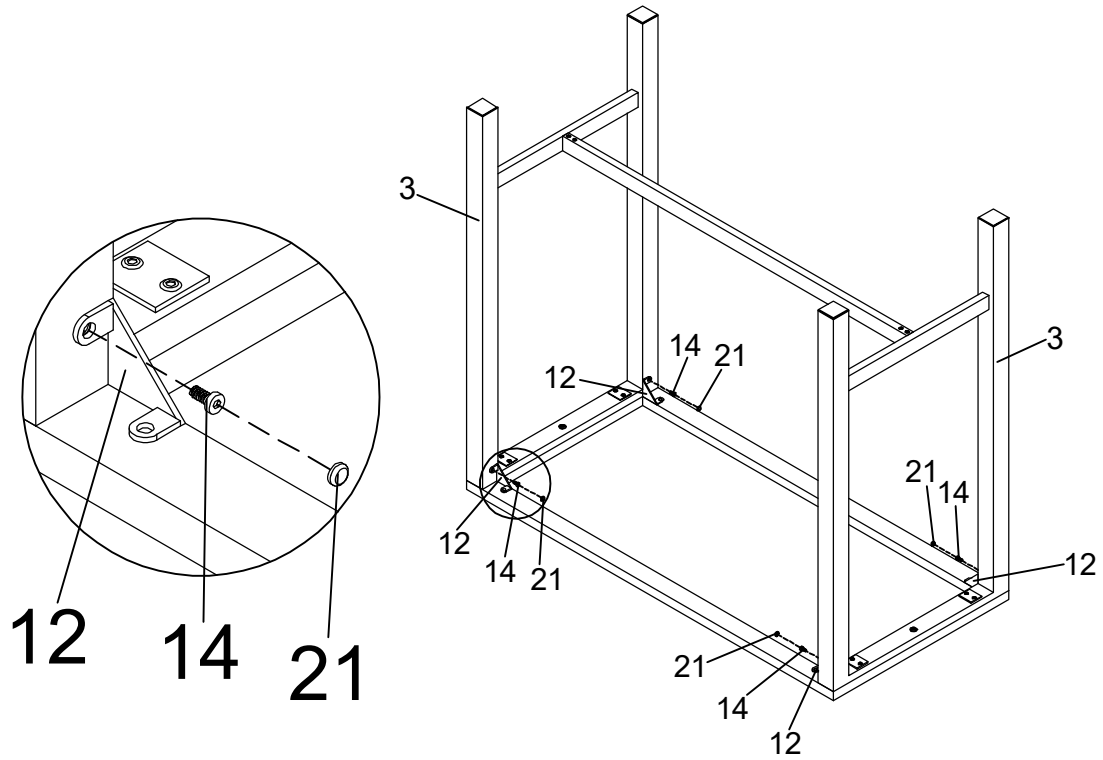
2. Attach Bar Table Crossbar (4) to Bar Table Side Frame (3) using Short Bolt (14).



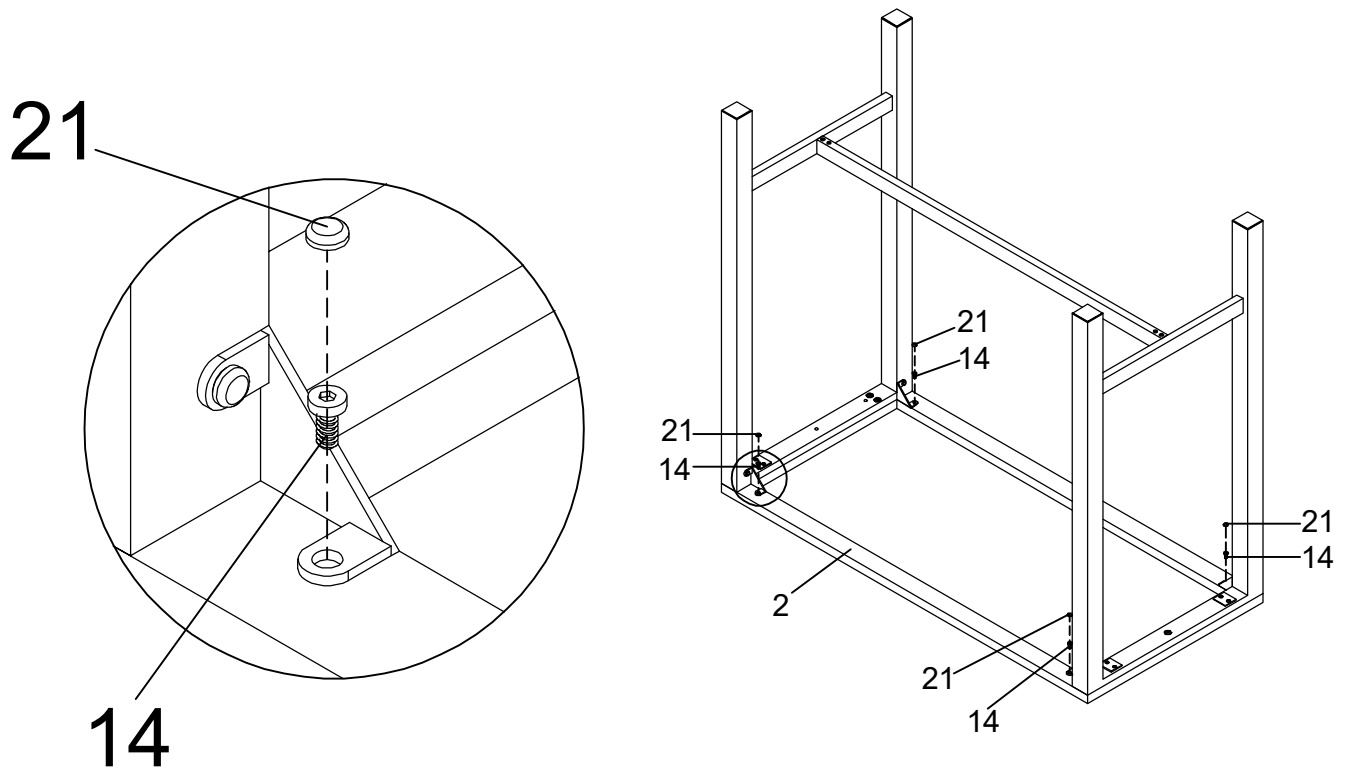
Step 2: Attach Bar Table Top Frame (2) to the Step 1 using Support Metal (13), Long Bolt (15) and Washer (20) with Allen Key (22).



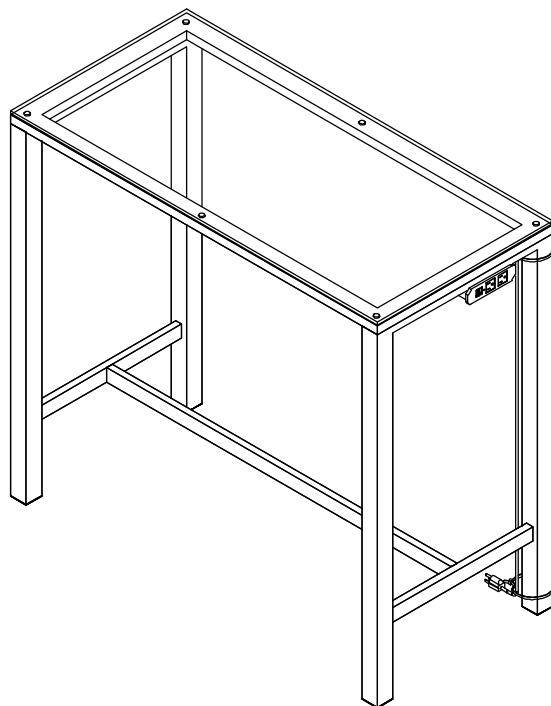
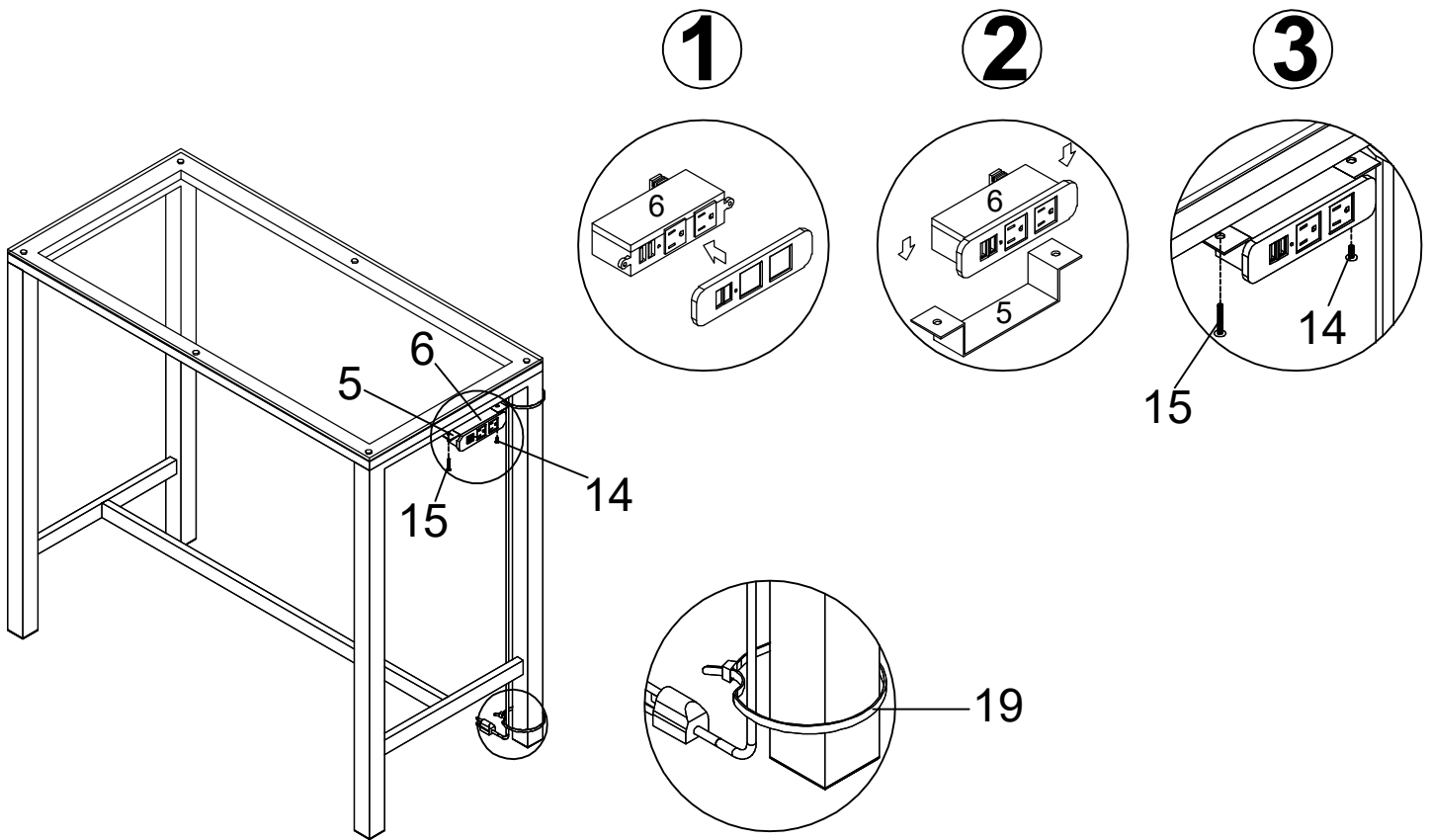
Step 3: Attach Triangle Metal (12) to Bar Table Side Frame (3) using Short Bolt (14) and Cover (21) with Allen Key (22).



Step 4: Attach Triangle Metal (12) to Bar Table Top Frame (2) using Short Bolt (14) and Cover (21) with Allen Key (22).

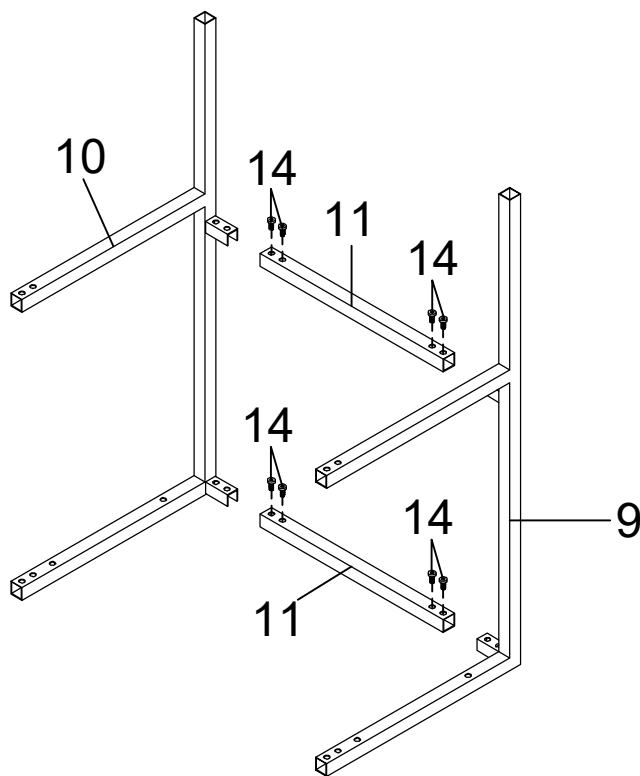


Step 5: Insert Bar Table Support Metal (5) and Power Outlet (6) onto Bar Table Right Frame (3) using Short Bolt (14), Long Bolt (15) and Restraint Strap (19) as shown.

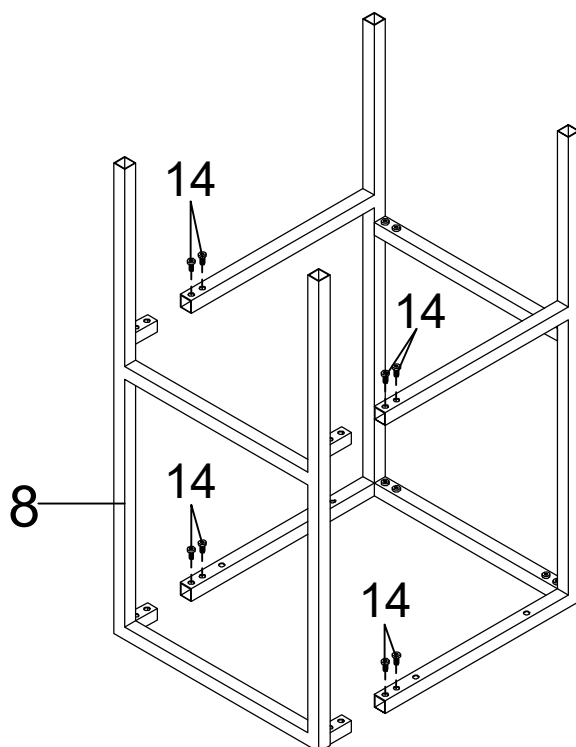


Complete. Congratulations on your assemble success.

Step 6: Attach Chair Crossbar (11) to Chair Left Frame (9) and Chair Right Frame (10) using Short Bolt (14) with Allen Key(22).

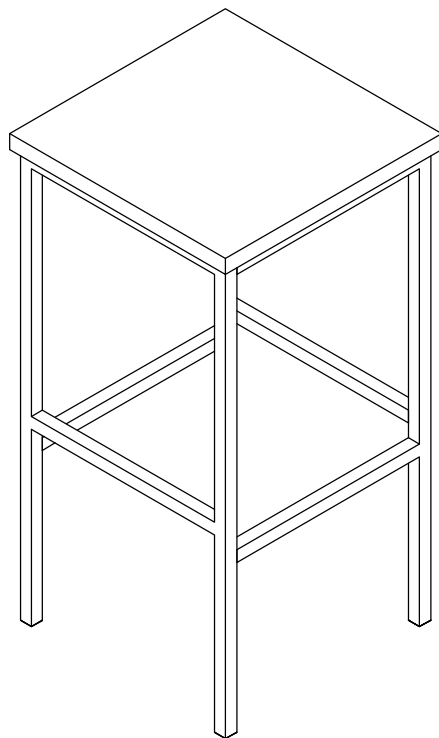
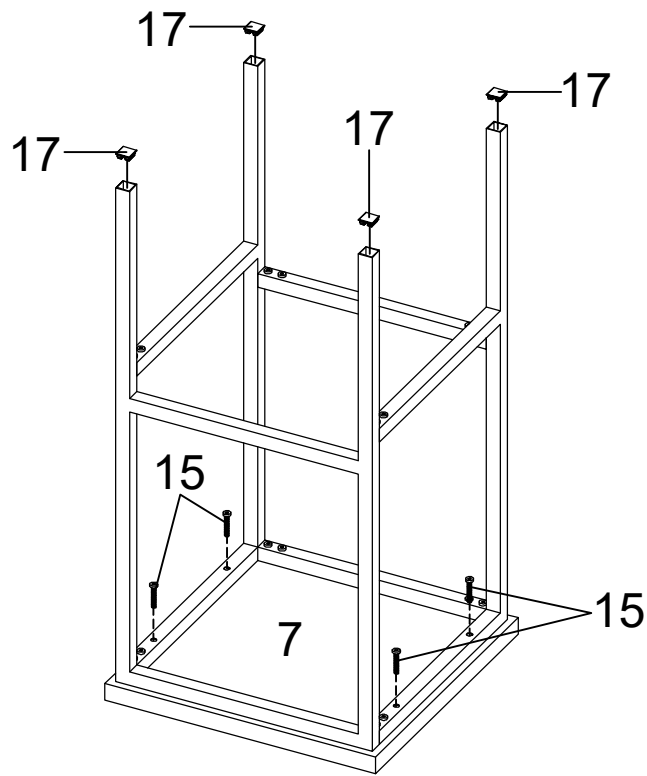


Step 7: Attach the Step 6 to Chair Front Frame (8) using Short Bolt (14) with Allen Key(22).



Step 8: 1. Insert Small Cap (17) to the Step 7 as shown.

2. Attach the Step 6 to Chair Panel Top (7) using Long Bolt (15) as shown.



Complete. Congratulations on your assemble success.