

Assembly Instruction for

GOOD DESC: DINING SIDE CHAIR

ITEM#: CNO100SC / CNO300SC

Caution: Please read instructions thoroughly before unpacking assembly parts. Sharp, exposed staple tips can cause injury, therefore, for your protection, please remove any exposed staples used in packing.

1. We recommend that you should assemble this product with the assistance of another person; this will make assembly easier, and will help to eliminate damage the product or injury to persons during assembly.

2. Be sure to check all packing materials carefully for small parts that may have come loose inside the carton during shipment.

3. Please do not over tighten screws or bolts.

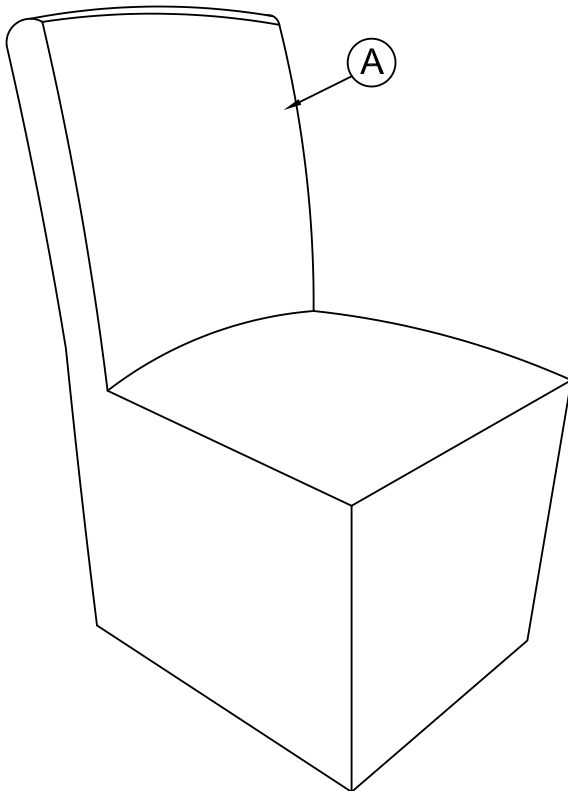
4. Please put all parts on a non-abrasive floor before assembly, and follow the assembly steps to assemble your newly purchased product correctly and efficiently.

PART LIST

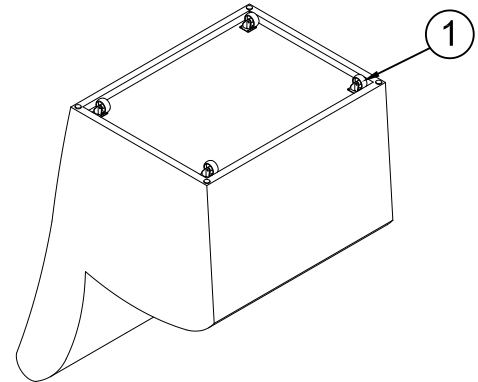
NO.	PART DESC	CODE	Q'TY
A	DINING SIDE CHAIR		1

HARDWARE LIST

NO.	PART DESC	CODE	Q'TY
1	CASTERS W/ SCREW	PCNO100CAS	4
2	BROWN FLOOR GLIDE	PCNO100PFGL	4



OPTION 1: Chair with Casters



OPTION 2: Chair with floor glide

