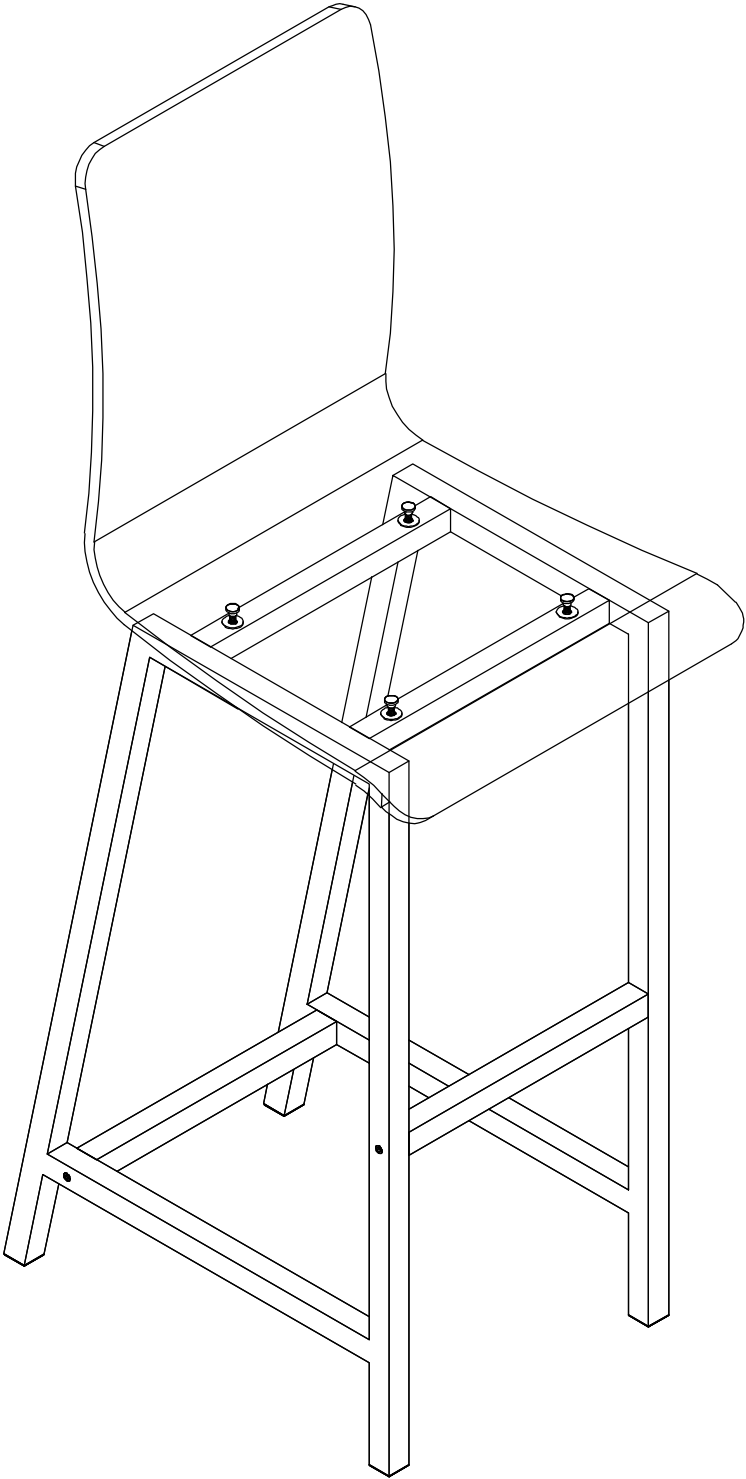


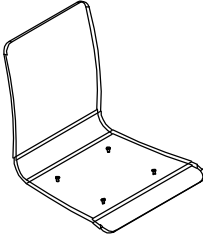
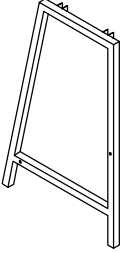
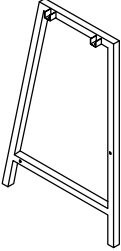
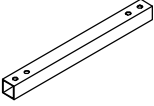
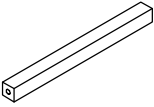
Zeus Bar Chair
Item #: CDZS100CSC
ASSEMBLY INSTRUCTIONS

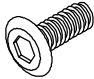
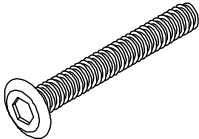
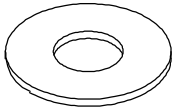
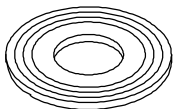
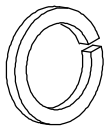
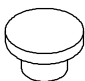


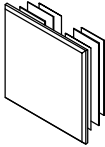
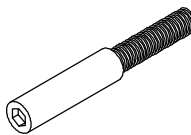
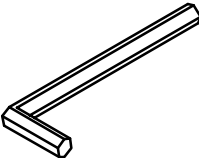
ASSEMBLY INSTRUCTIONS

Item #: CDZS100CSC

**Please identify and locate all assembly parts (see parts list) before discarding any packing materials.
Some parts may have become loose during transit.**

PARTS LIST			
NO.	SKETCH	DESCRIPTION	QTY
1		SEAT AND BACK	1PC
2		LEFT FRAME	1PC
3		RIGHT FRAME	1PC
4		TOP CROSSBAR	2PCS
5		BOTTOM CROSSBAR	2PCS

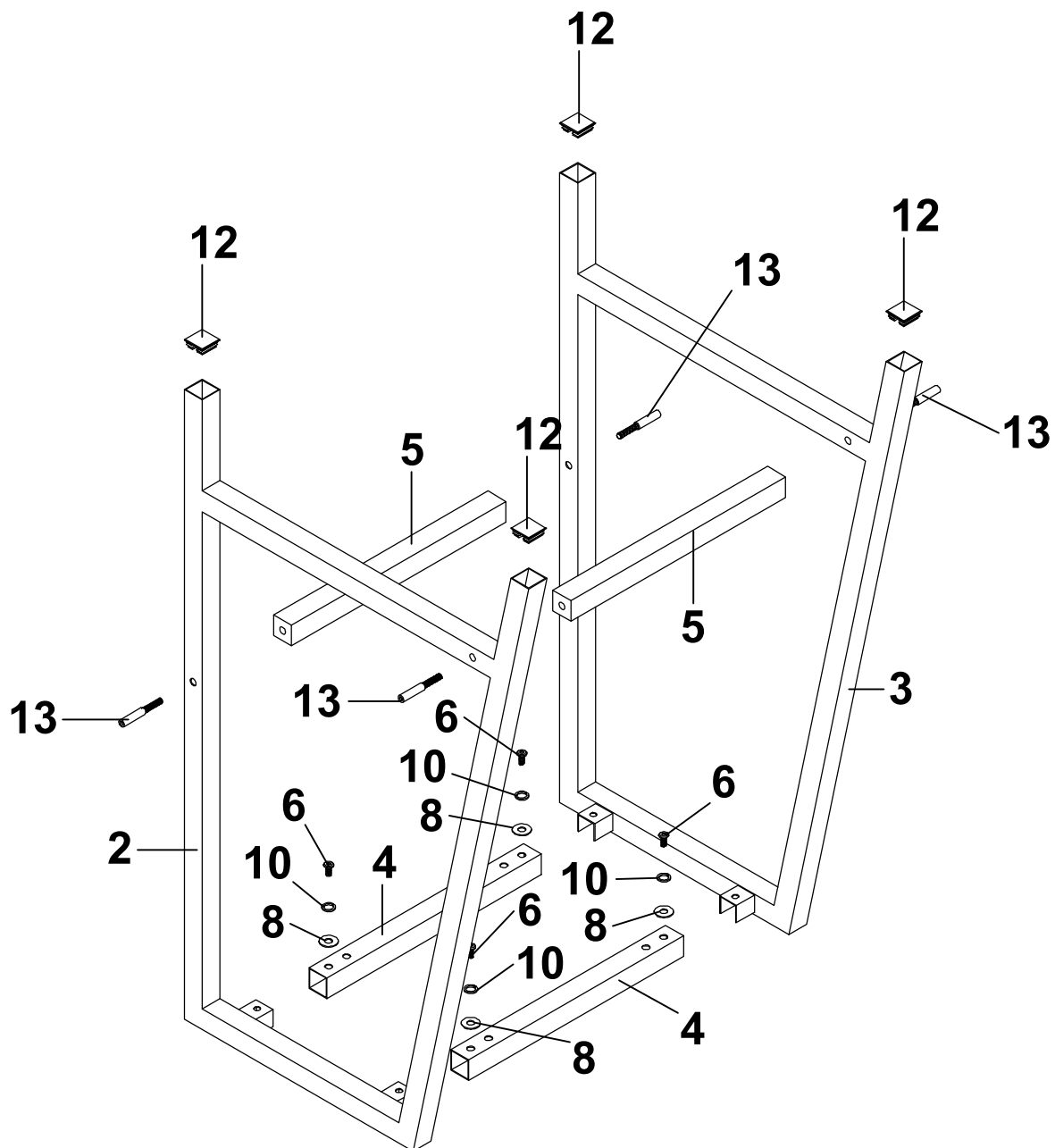
NO.	SKETCH	DESCRIPTION	QTY
6		SHORT BOLT 1/4" x 12mm	4PCS
7		LONG BOLT 1/4" x 35mm	4PCS
8		WASHER Ø16mm	8PCS
9		PLASTIC WASHER Ø16mm	4PCS
10		SPRING WASHER 1/4"	8PCS
11		NUT 1/4"	4PCS

NO.	SKETCH	DESCRIPTION	QTY
12		CAP 25 x 25mm	4PCS
13		HEX CAP HEAD BOLT 1/4" x 27mm	4PCS
14		ALLEN WRENCH 4mm	1PC

NOTE: Do not tighten until each step is completed or instructed.

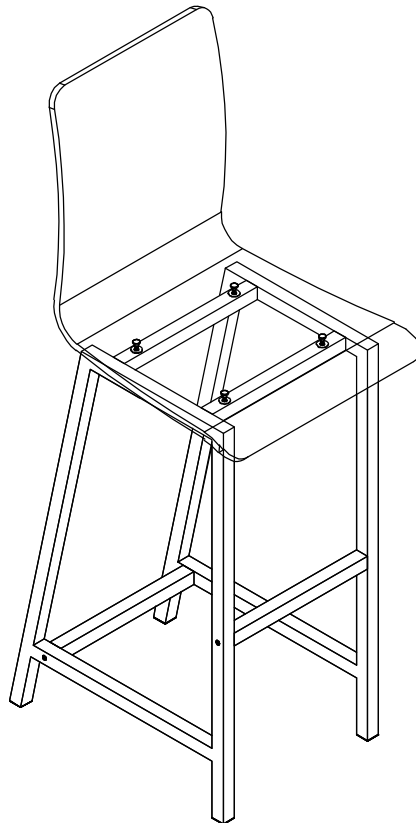
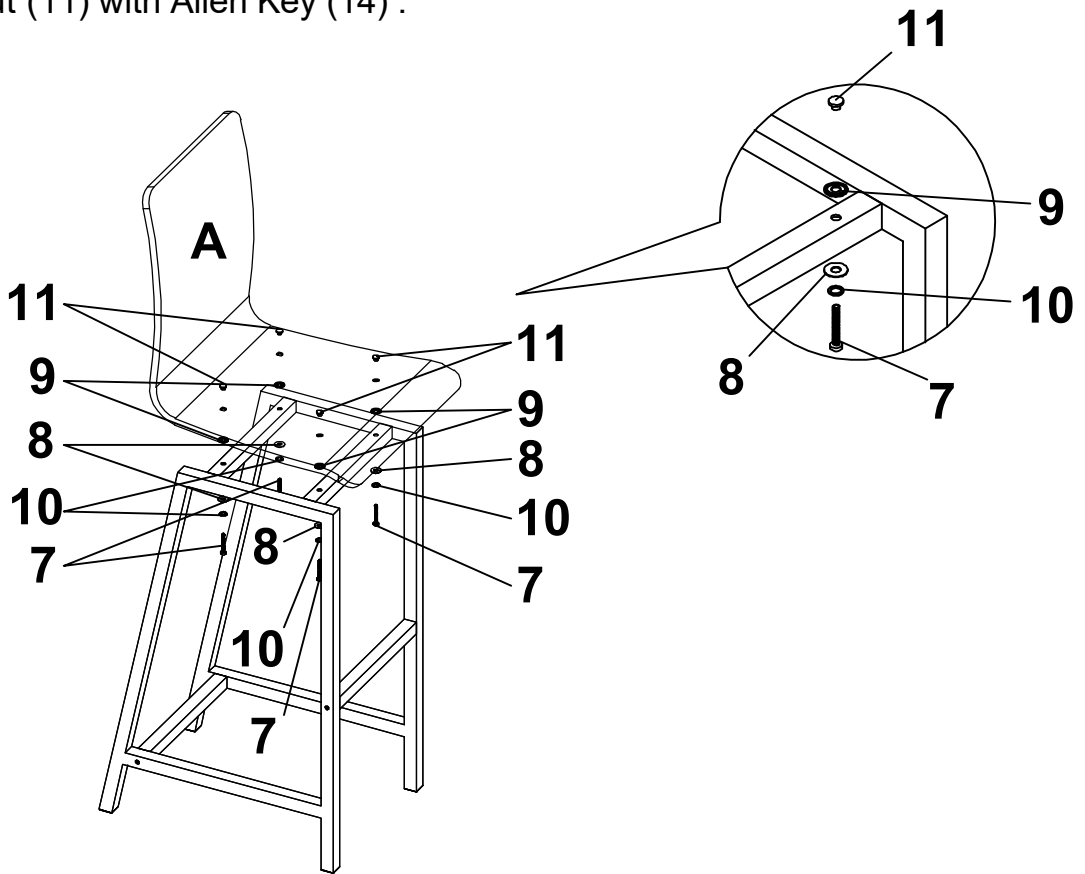
Step 1: 1. Install Cap (12) into the Left Frame (2) and Right Frame (3).

2. Attach Top Crossbar (4) and Bottom Crossbar (5) to Left Frame (2) and Right Frame (3) by using Hex Cap Head Bolt (13) with Allen Key (14).



Step 2: 1. Place Plastic Washer (9) on the Step 1.

2. Place Seat And Back (1) on the Plastic Washer (9) by using Long Bolt (7), Washer (8) and Nut (11) with Allen Key (14) .



Complete. Congratulations on your assemble success.