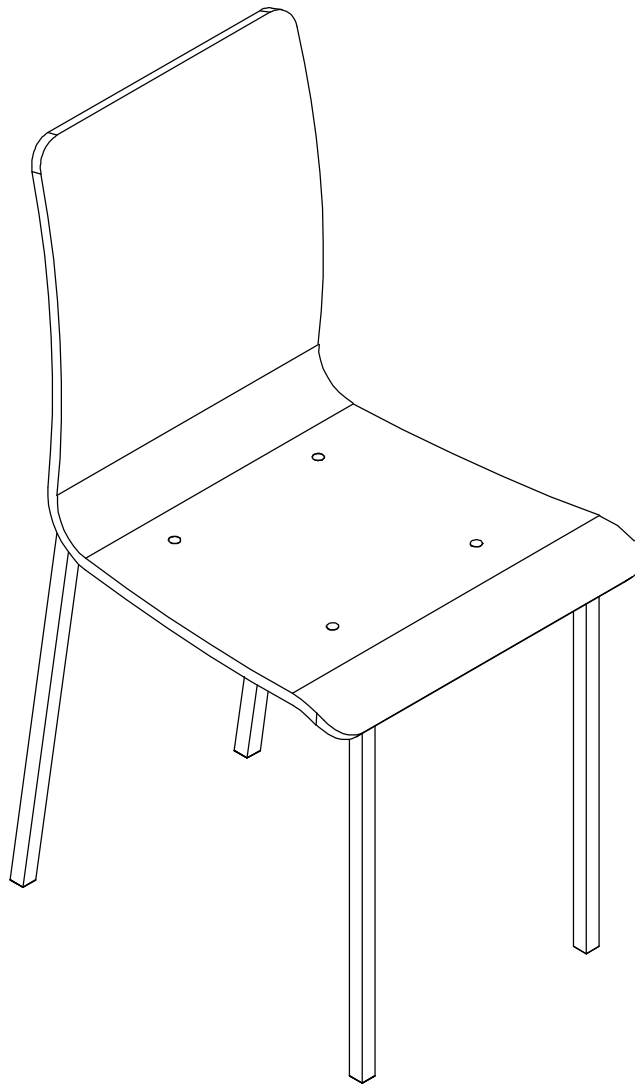


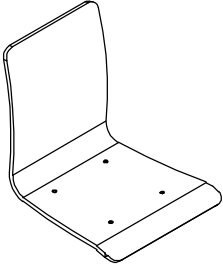
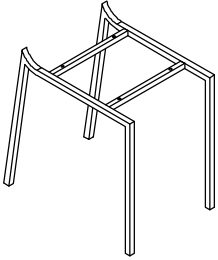
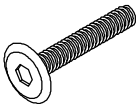
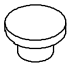
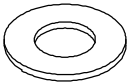
**Lavinia Dining Chair Chrome**  
**Item #: CDLV900CSC**  
**ASSEMBLY INSTRUCTIONS**

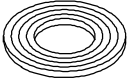


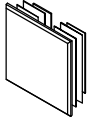
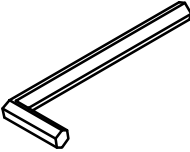


# ASSEMBLY INSTRUCTIONS

## Item #: CDLV900CSC

**Please identify and locate all assembly parts (see parts list) before discarding any packing materials.  
Some parts may have become loose during transit.**

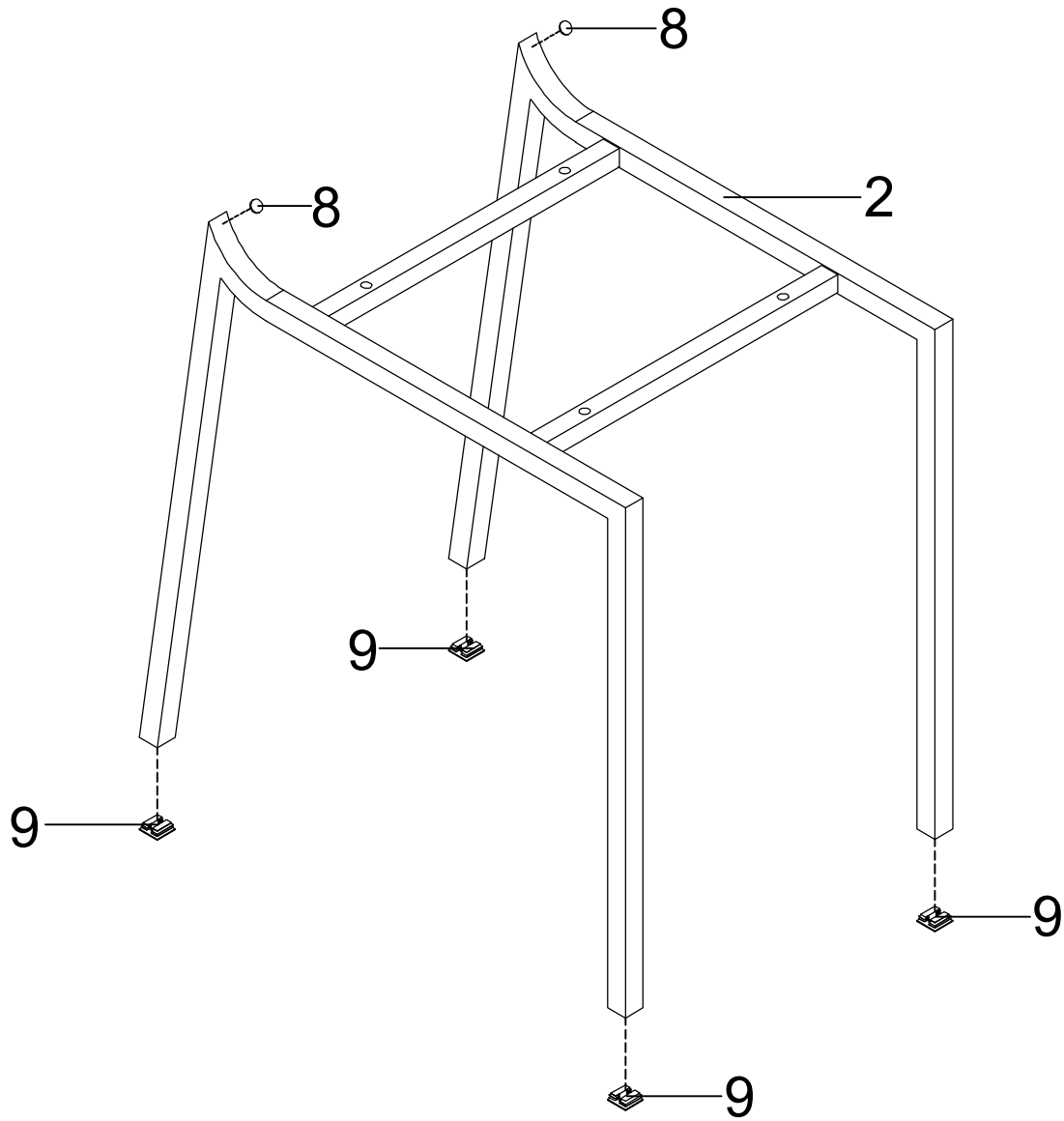
PARTS LIST			
NO.	SKETCH	DESCRIPTION	QTY
1		ACRYLIC CHAIR BACK	2PCS
2		CHROME BASE	2PCS
3		BOLT 1/4" x 28mm	8PCS
4		CAP 1/4"	8PCS
5		WASHER Ø16mm	8PCS

NO.	SKETCH	DESCRIPTION	QTY
6		PLASTIC WASHER	8PCS
7		SPRING WASHER 1/4"	8PCS
8		SUCTION CUP ø10mm	4PCS
9		CAP 18 x 18mm	8PCS
10		ALLEN KEY 4mm	1PC

NOTE: Do not tighten until each step is completed or instructed.

Step 1: 1.Insert Cap (9) onto Chrome Base (2) as shown.

2.Insert Suction Cup (8) onto Chrome Base (2) as shown.



Step 2: Place Cap (4), Acrylic Chair Back (1), Plastic Washer (6), Chrome Base (2), Washer (5) Spring Washer (7) and Long Bolt (3) in the order shown below and tighten with Allen Key (10).

