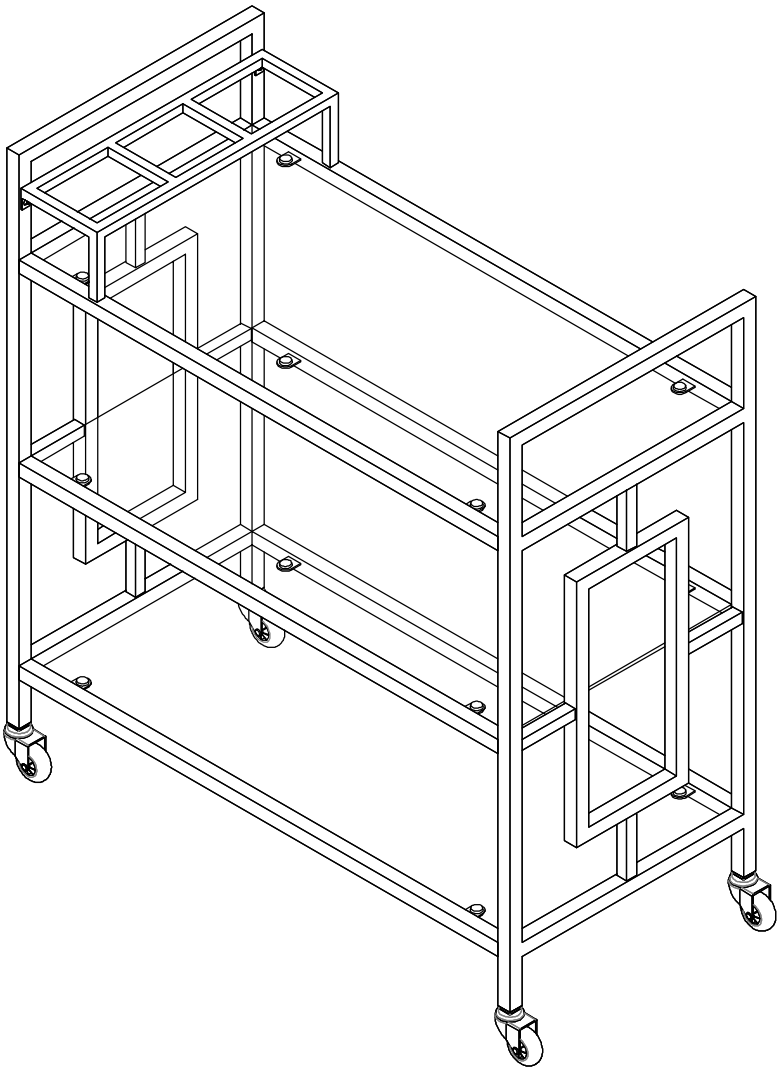


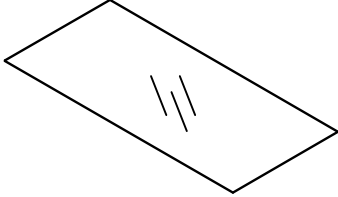
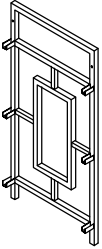
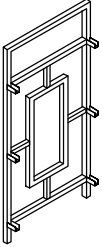
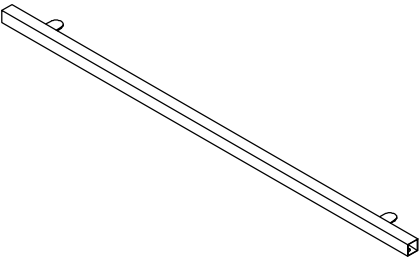
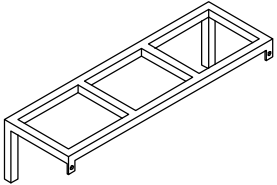
Ezra Serving Cart
Item #: CDEZ100DSVE
ASSEMBLY INSTRUCTIONS

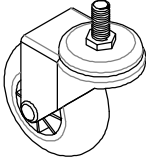
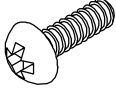
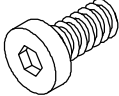
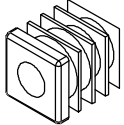

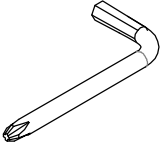



ASSEMBLY INSTRUCTIONS

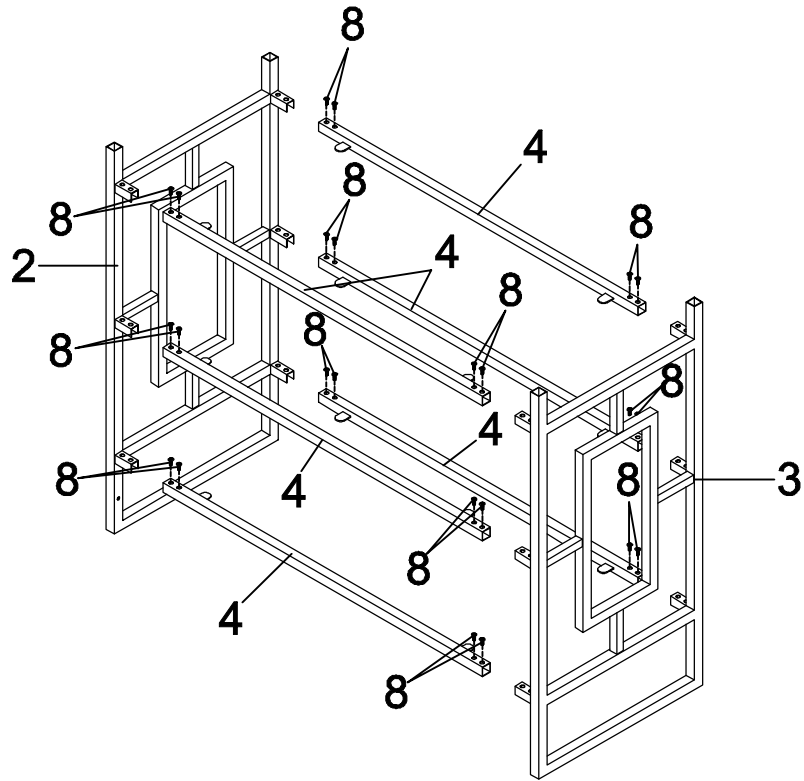
Item #: CDEZ100DSVE

**Please identify and locate all assembly parts (see parts list) before discarding any packing materials.
Some parts may have become loose during transit.**

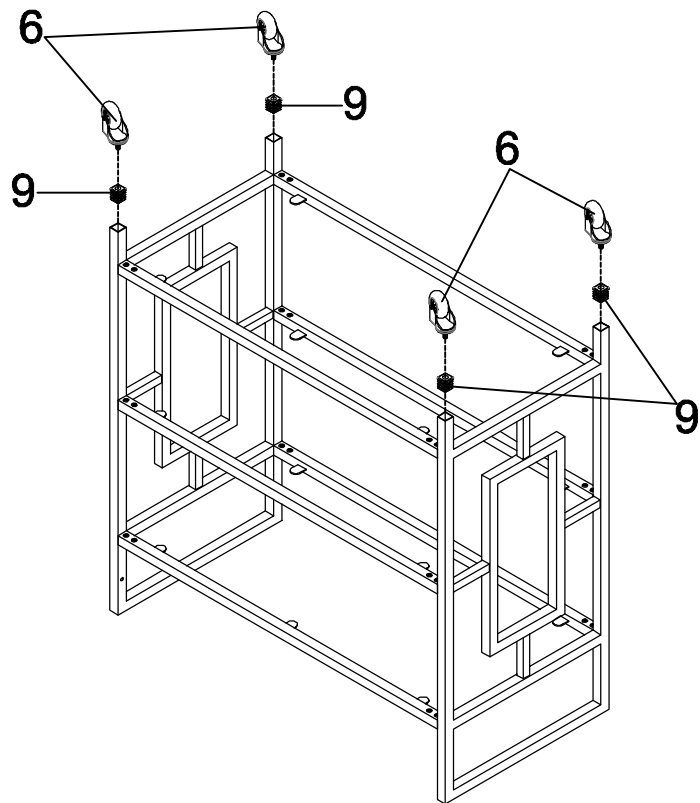
PARTS LIST			
NO.	SKETCH	DESCRIPTION	QYT
1		SHELF GLASS	3PCS
2		LEFT FRAME	1PC
3		RIGHT FRAME	1PC
4		CROSSBAR	6PCS
5		BOTTLE RACK	1PC

NO.	SKETCH	DESCRIPTION	QYT
6		WHEEL	4PCS
7		BOTTLE RACK BOLT 3/16" x 10mm	2PCS
8		SHORT BOLT 1/4" x 12mm	24PCS
9		CAP 20 x 20 mm	4PCS
10		SUCTION CUP Ø12 x 2.7mm	12PCS
11		ALLEN KEY 4mm	1PC

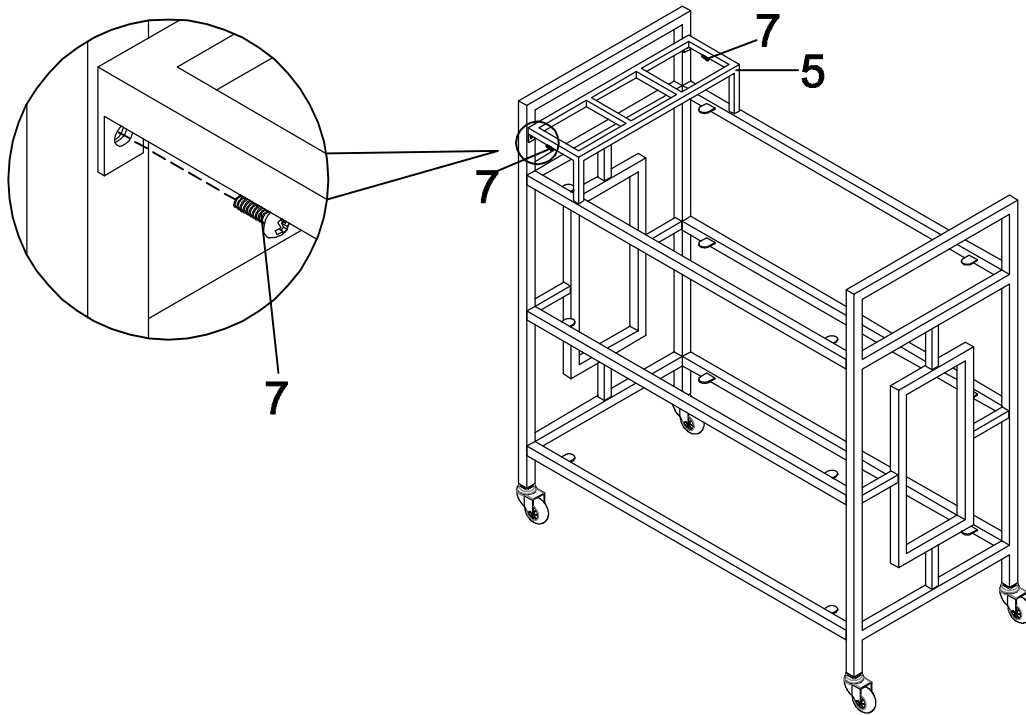
NO.	SKETCH	DESCRIPTION	QYT
12		<p style="text-align: center;">HEXAGONAL KEY 8mm</p>	<p style="text-align: center;">1PC</p>



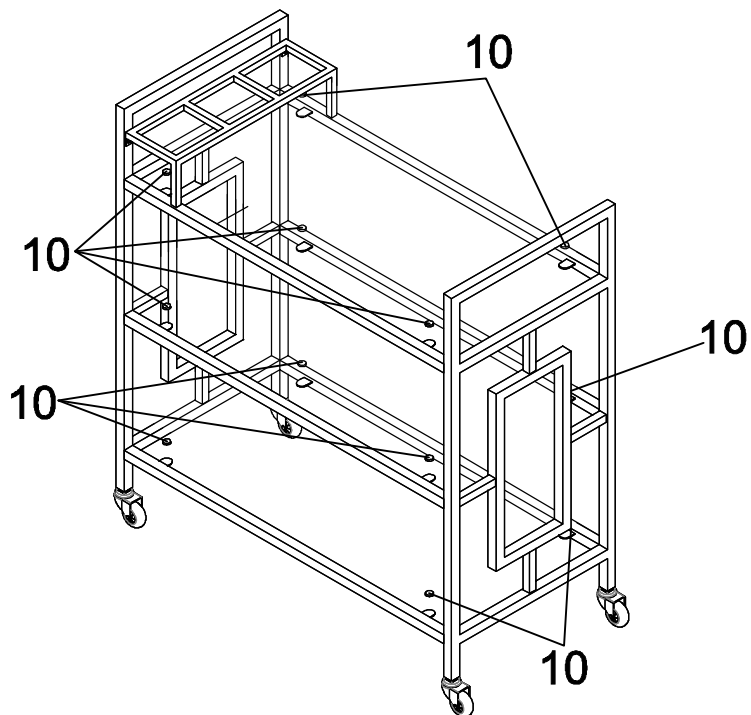
Step 1: Attach Crossbar (4) to Left Frame (2) and Right Frame (3) using Short Bolt (8) as shown.



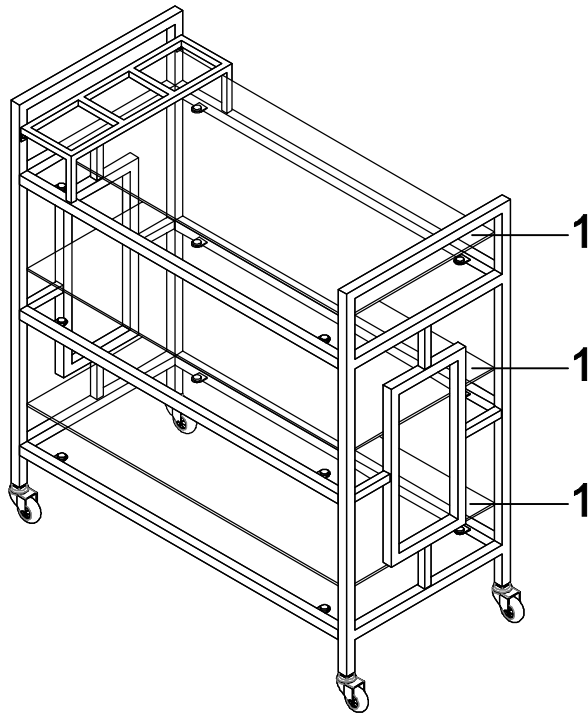
**Step 2: 1. Insert Cap (9) into the assemble in Step 1 as shown.
2. Insert Wheel (6) into the Cap (9) as shown.**



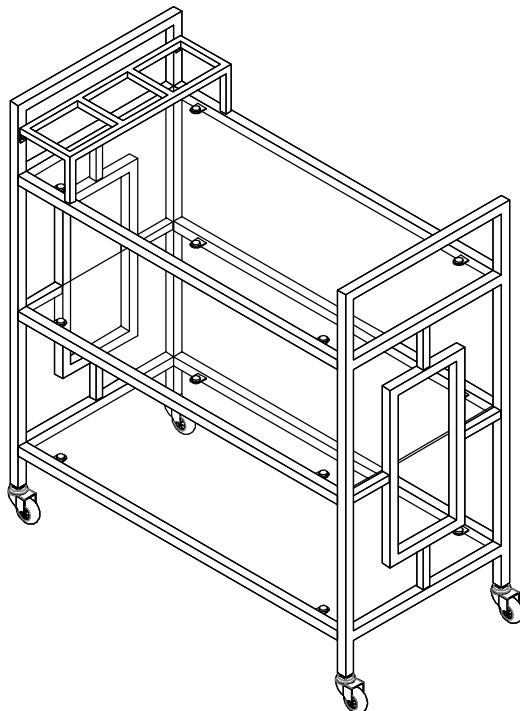
Step 3: Attach Bottle Rack (5) to the assemble in Step 2 using Bottle Rack Bolt (7) as shown.



Step 4: Insert Suction Cup (10) onto the assemble in Step 3 as shown.



Step 5: Place the Shelf Glass (1) to the assemble in Step 4 as shown.



Complete. Congratulations on your assemble success.