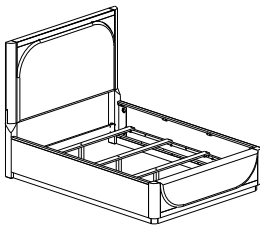




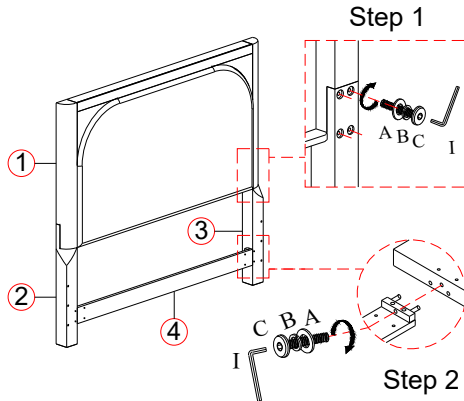
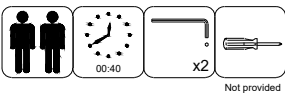
LIVING SPACES

1	PB5874-55H-1		X1
2	PB5874-55LL-2		X1
3	PB5874-55LR-3		X1
4	PB5874-55SB-4		X1
5	PB5874-55F-5		X1
6	PB5874-55SR-6		X2
7	PB5874-55SL-7		X5
8	PB5874-55SP-8		X5
A	PB5874-55HD-A		X10
B	PB5874-55HD-B		X10
C	PB5874-55HD-C		X10
D	PB5874-55HD-D		X8
E	PB5874-55HD-E		X8
F	PB5874-55HD-F		X8
G	PB5874-55HD-G		X10
H	PB5874-55HD-H		X1
I	PB5874-55HD-I		X1

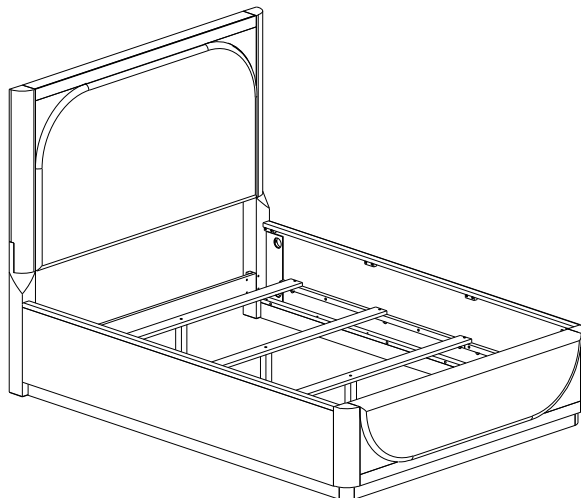
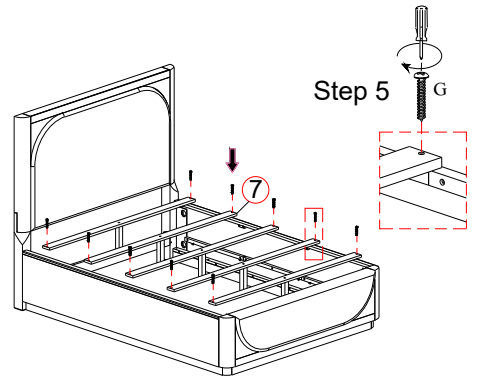
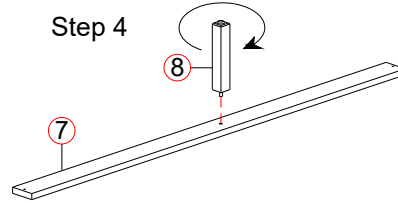
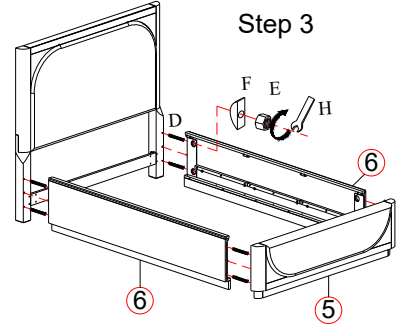
HARLAND



338726/338727/338742
 LS-B5874-55H-55F-55R
 WOOD QUEEN PANEL BED
 UPHOLSTERED



Note: Mark
 Side rail HB or FB



ASSEMBLY COMPLETE



WARNING:
 ONLY USE THE HAND
 TOOLS PROVIDED