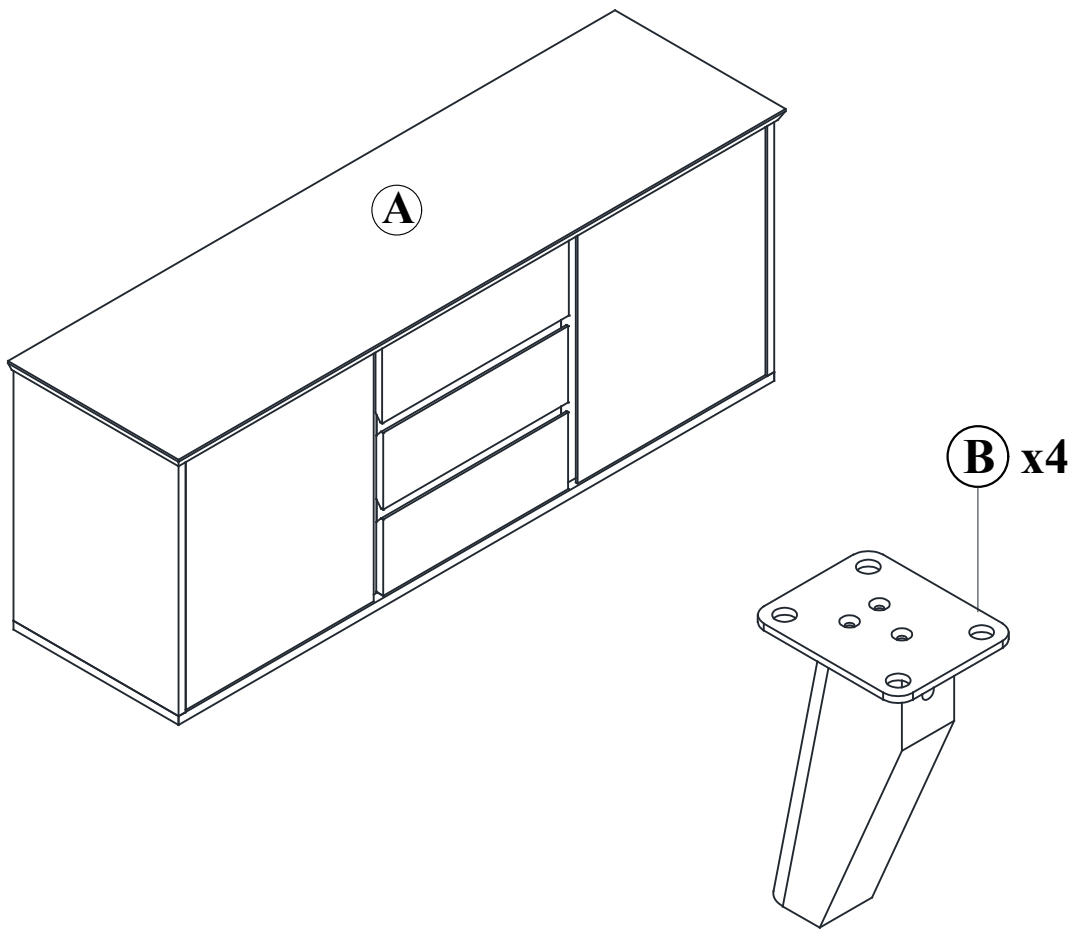











CAUTION: PLEASE READ ALL INSTRUCTIONS BEFORE STARTING THE ASSEMBLY OF THIS PRODUCT. THESE PIECES ARE HEAVY. IN ORDER TO PREVENT PERSONAL INJURIES AND ENSURE THAT THIS PRODUCT IS NOT DAMAGED DURING THE ASSEMBLY PROCESS, IT IS STRONGLY RECOMMENDED THAT YOU REQUIRE HELP FROM ONE OR MORE PEOPLE.

ATTENTION: VEUILLEZ LIRE TOUTES LES INSTRUCTIONS AVANT DE COMMENCER L'ASSEMBLAGE DE CE PRODUIT. LES DIFFÉRENTES PARTIES SONT LOURDES AFIN DE PARER TOUTE BLESSURE ET D'ÉVITER QUE LE PRODUIT NE SUBISSE DES DOMMAGES. IL EST FORTEMENT RECOMMANDÉ DE DEMANDER DE L'AIDE DE LA PART D'UNE OU PLUSIEURS PERSONNES DURANT L'ASSEMBLAGE.

CUIDADO: FAVOR DELEER TODAS LAS INSTRUCCIONES ANTES DE ENSAMBLAR SU PRODUCTO. ESTAS PIEZAS SON PESADAS. PARA PREVENIR HERIDAS PERSONALES Y ASEGURAR QUE SU PRODUCTO NO SEA DANADO MIENTRAS ES ENSAMBLADO SE RECOMIENDA LA ASISTENCIA DE UNA O MAS PERSONAS.

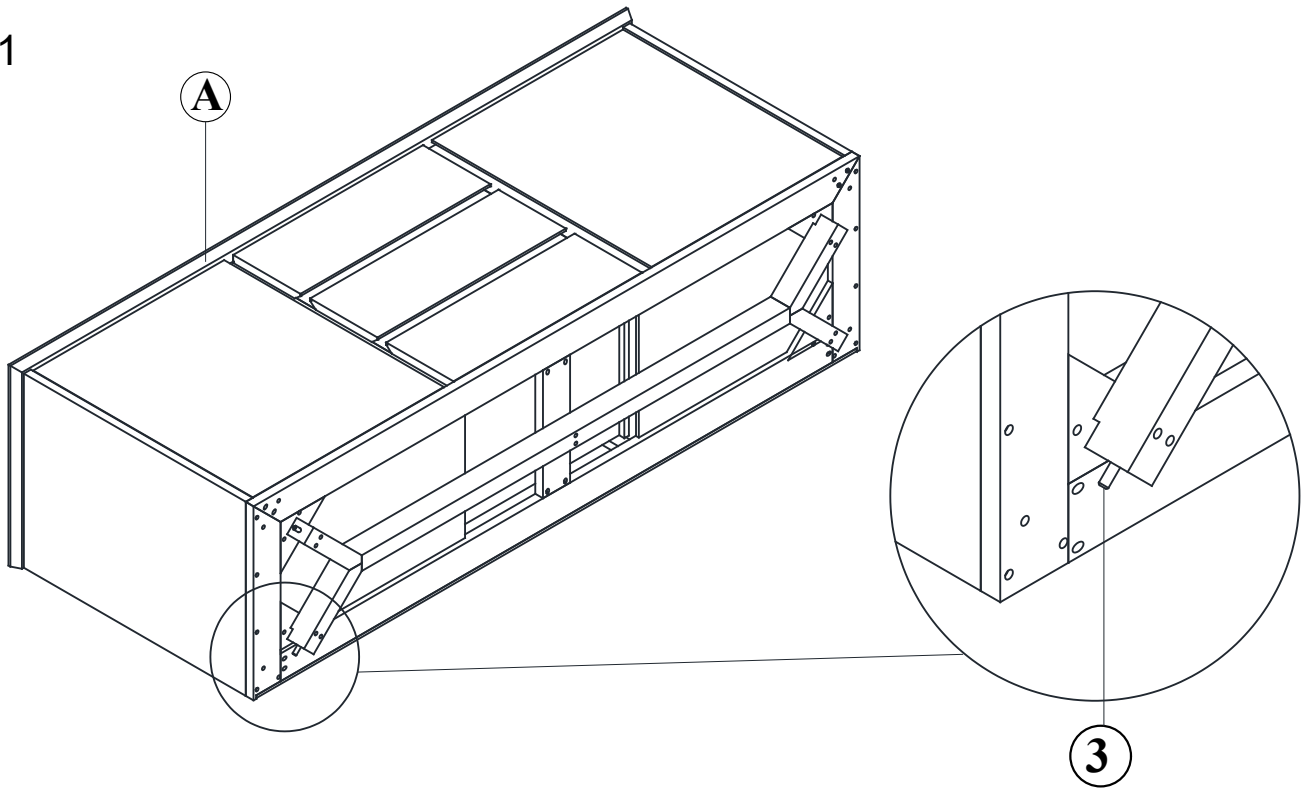


LIST OF PARTS AND HARDWARE			
No.		Description	Q'ty
A		BOX	1
B		LEGS	4

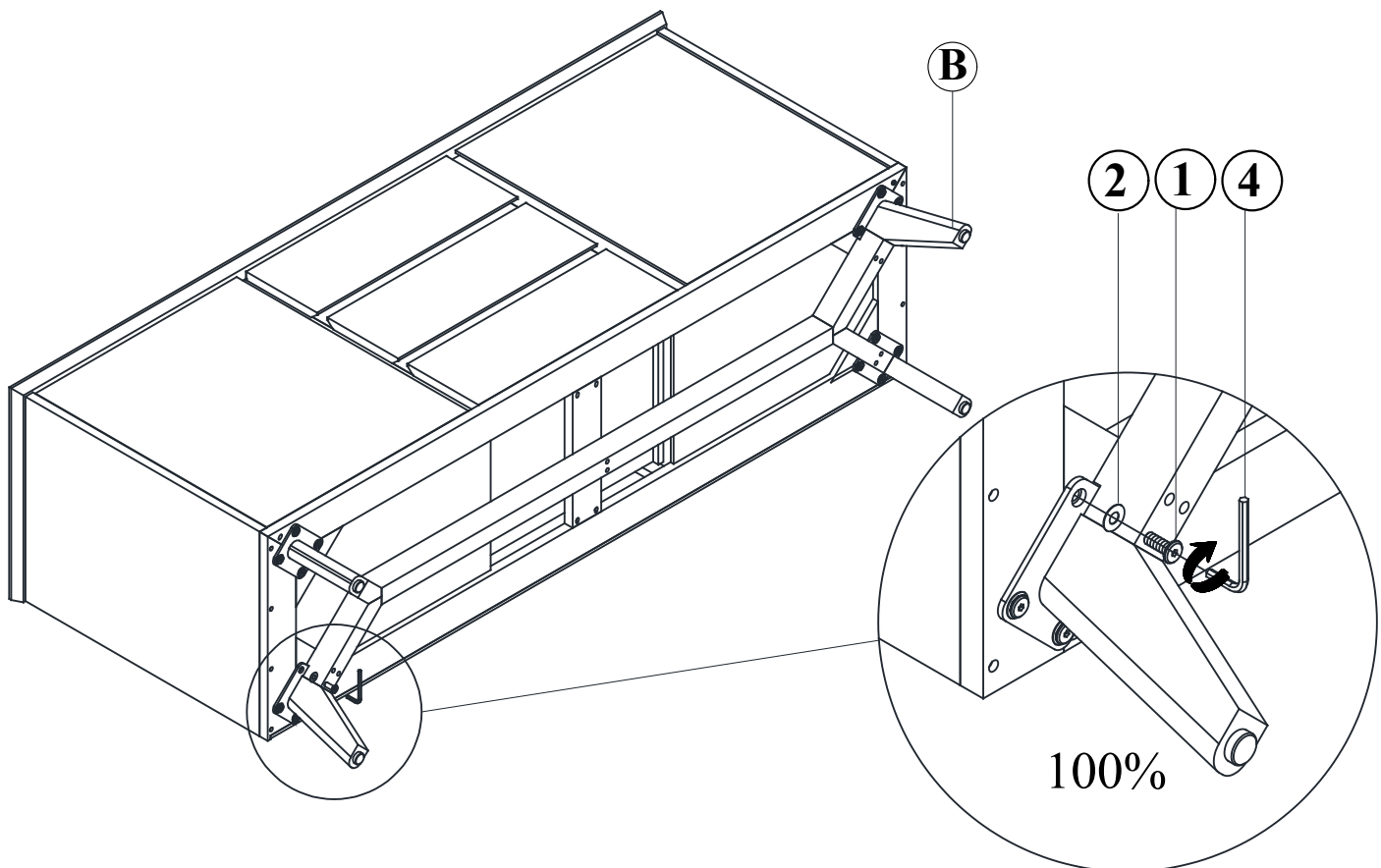
LIST OF PARTS AND HARDWARE				
No.		Description		Q'ty
1		Bolt	M6*20	16
2		Washer	8*18	16
3		Dowels	8*40	4
4		Key	M4	1
5		Tipping		2



Step 1



Step 2





LIVING SPACES

ASSEMBLY INSTRUCTIONS

DRAPER 63" BUFFET

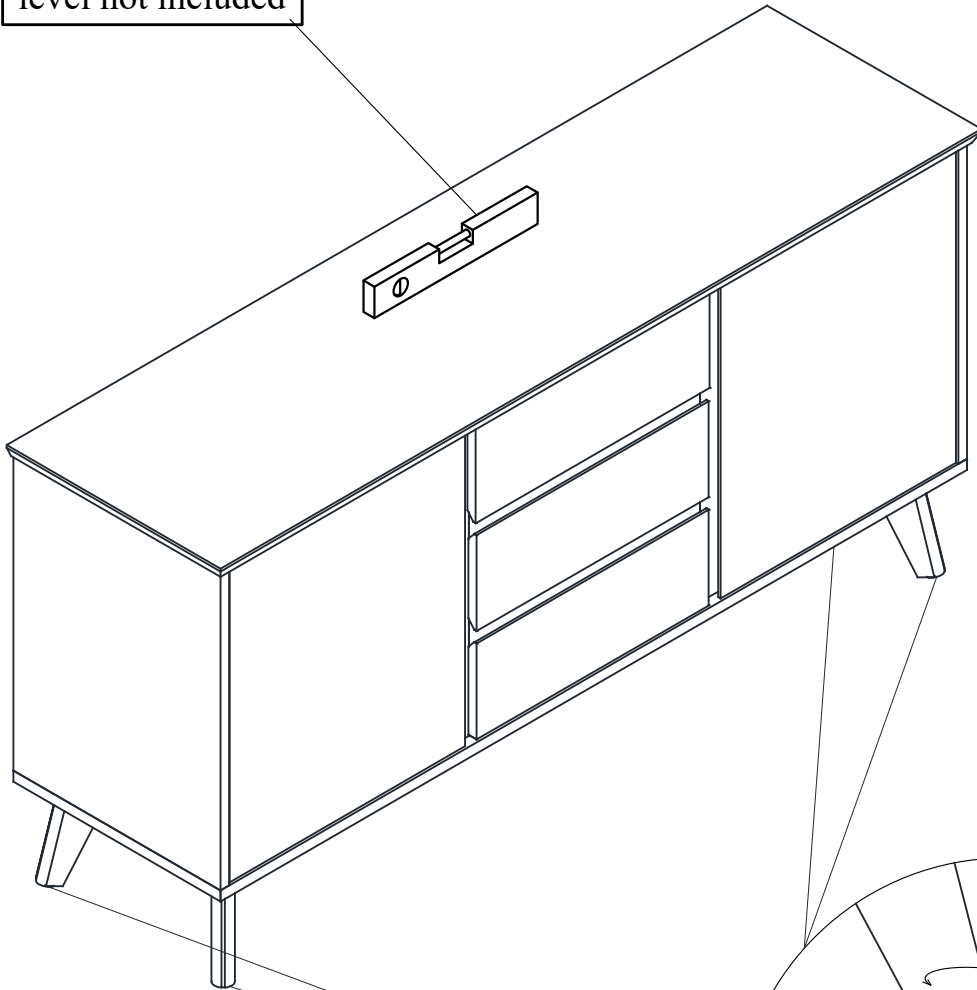
LS SKU#337097

MODEL # DE-DRAP-D01-160

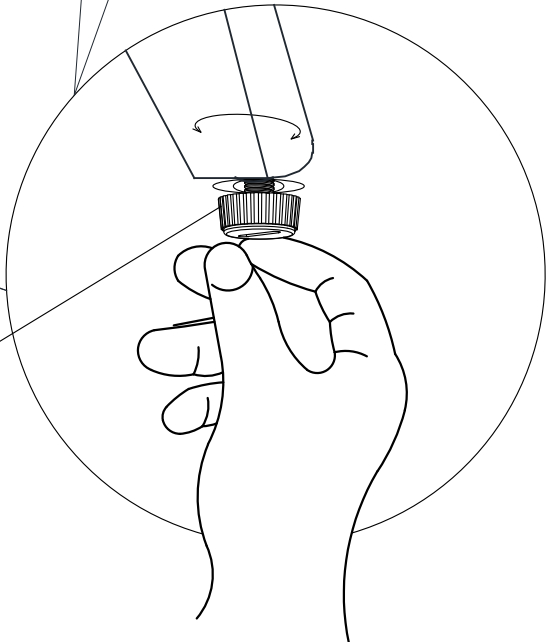


Step 3

Use level to adjust feet if needed, level not included



Pre-installed adjustable feet



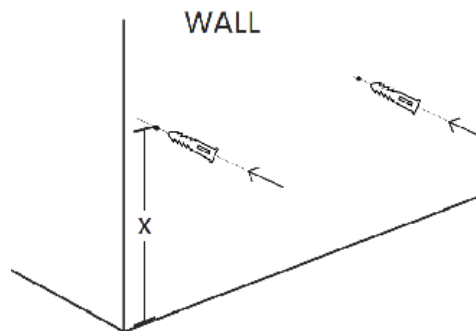


Step 4

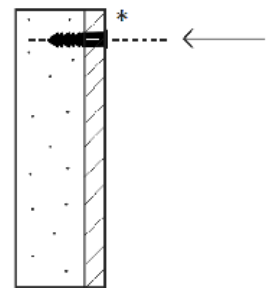
Anti-tip Kit Assembly Instruction

To prevent injury and property damage from unexpected tipping of furniture, we highly recommend installation of the anti-tip kit included with this product.

Determine where the piece is to be placed and mark location on the wall for the mounting bracket screw holes. They should be placed approximately 1" below the top on the back of the piece of furniture.



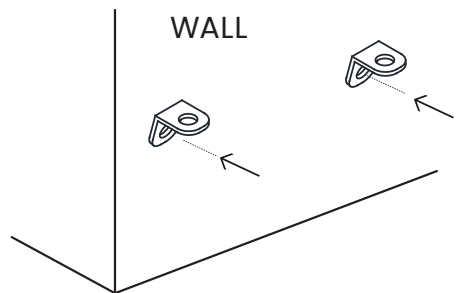
*Repeat for all 2 screws.



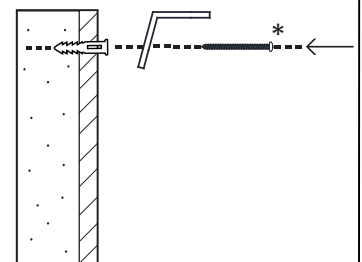
Step 5

Attach the mounting bracket vertically/ horizontally to the wall by inserting the long screws provided through the holes in the bracket and tightening securely using screw-driver.

Screws must penetrate wall studs for proper installation.



*Repeat for all 2 screws.



wall screws



x2

Bracket



x2




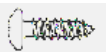


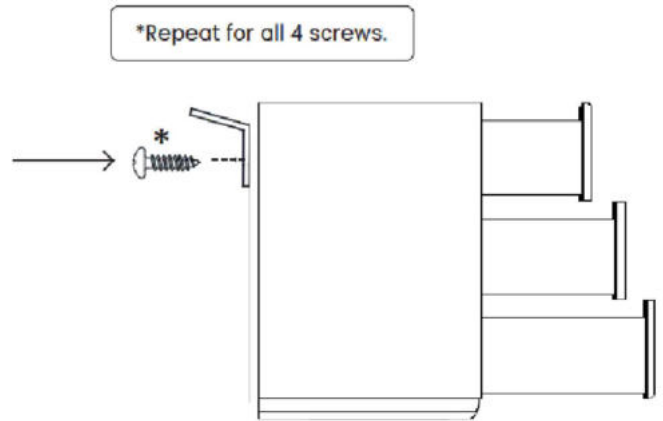
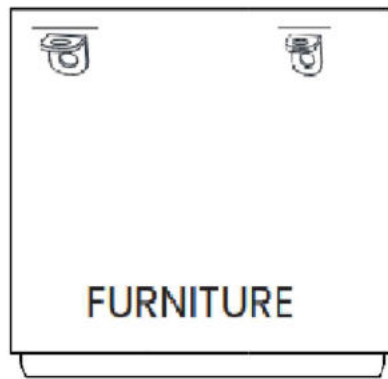
Please seek a professional advice if unsure of wall constructions. Properly affixing furniture to your wall will depend on the wall material: concrete, drywall, masonry, or wood will require the appropriate hardware. Anchor is not provided, please source the right anchor according to the wall type. Please consult your local hardware store to ensure you are using the correct hardware for your wall type.



Step 6


Next using the short screws attach the 2nd bracket to the back of the piece of furniture's top.

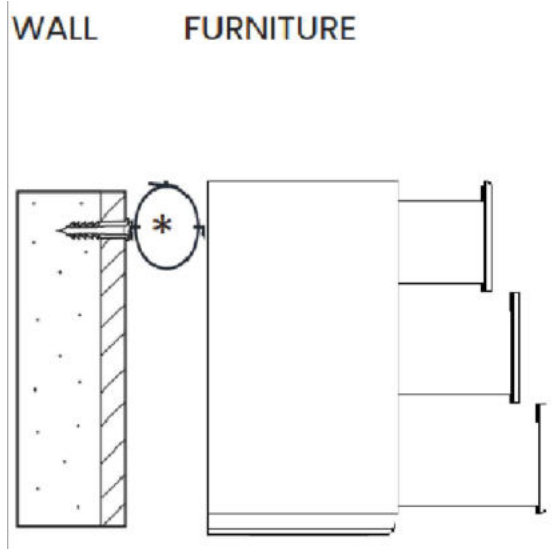
- Bracket**
-   X2
- wood Screws**
-   X2



Step 7

Lace the nylon strap down through the brackets. Slide the thin end of the strap through the receiving end of the nylon strap. Pull to tighten the piece of furniture snug against wall.

- restraint straps**
-  X2



Press down to unlock; release to lock.



- This anti-tip kit is not a substitute for proper adult supervision.
- This anti-tip kit may provide protection against tipping furniture.
- Do not allow children to climb on furniture.
- By installing anti-tip kit, you acknowledge that you are fully aware of the safety requirements and accept to adhere to it.
- Illustrations in this guide are for reference only and may be slightly different from the actual object.