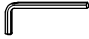





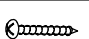
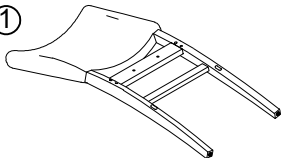
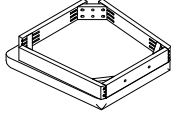
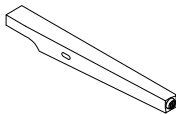
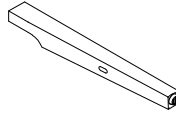
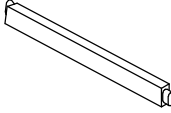
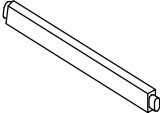
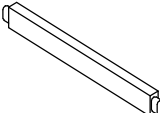
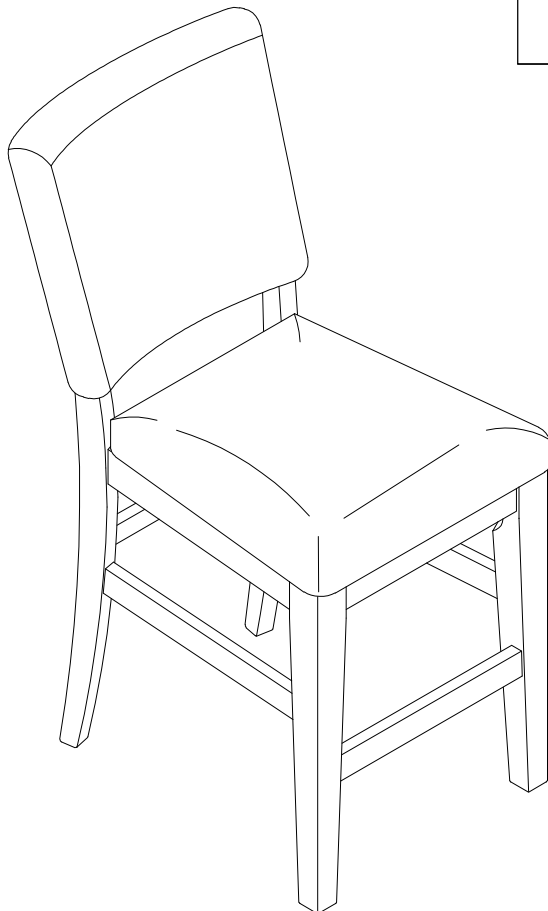


HARDWARE LIST (X2)

No	Description	Sketch	Q'TY
A	Allen Wrench 4mm		1PC
B	Bolt Ø1/4"x1-9/16"(40mm)		2PCS
C	Bolt Ø1/4"x2-3/8"(60mm)		4PCS
D	Bolt Ø1/4"x3"(75mm)		4PCS
E	Lock Washer Ø1/4"		10PCS
F	Flat Washer Ø1/4"x3/4"		10PCS
G	Screw #4x1-1/2"(38mm)		6PCS

PARTS LIST (X2)

BACK FRAME (1PC)		SEAT FRAME (1PC)	
①		②	
LEFT FRONT LEG (1PC)		RIGHT FRONT LEG (1PC)	
③		④	
LEFT STRETCHER (1PC)		RIGHT STRETCHER (1PC)	
⑤		⑥	
FRONT STRETCHER (1PC)			
⑦			





LIVING SPACES

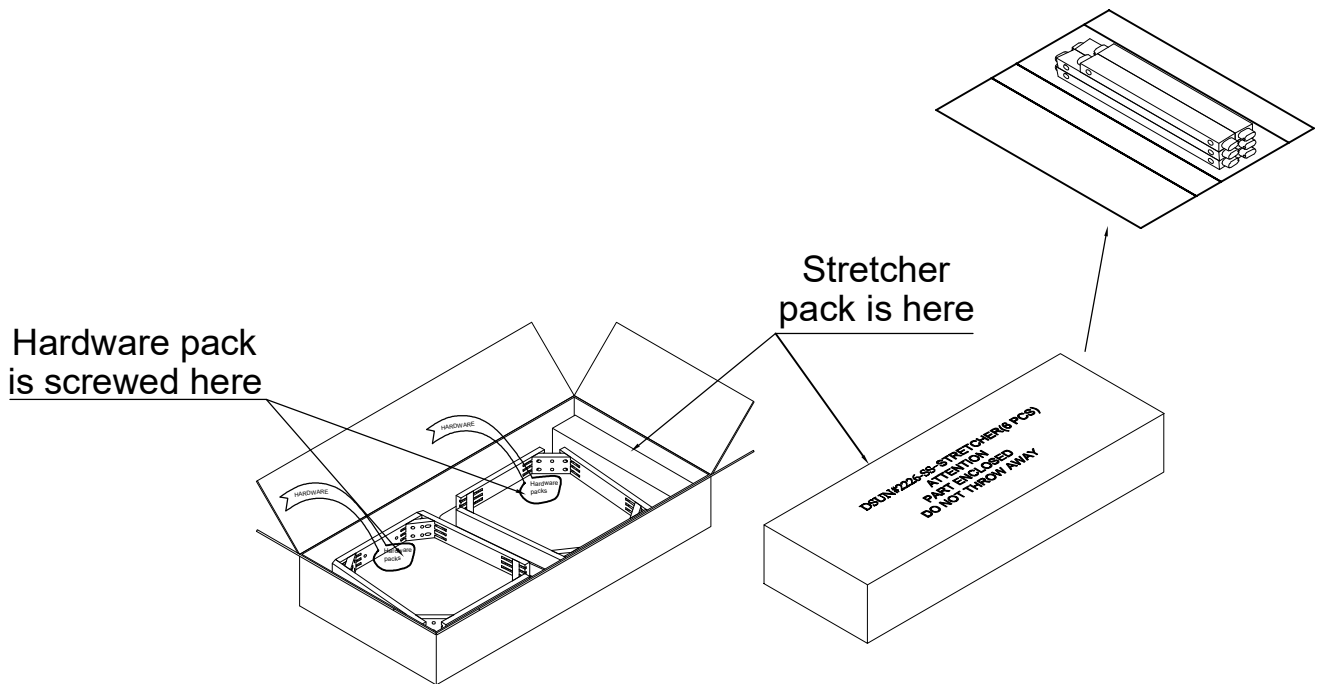
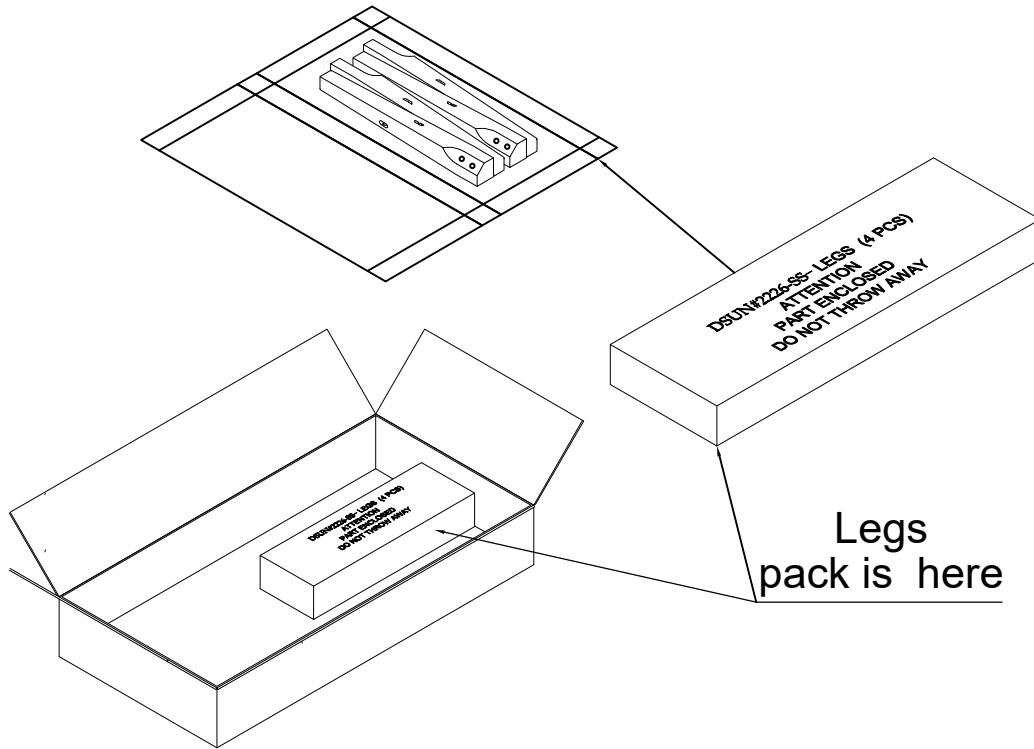
Assembly Instruction

Item No: 321909

SUNLIGHT

Description : SUNLIGHT DINING SANDSTONE COUNTER CHAIR UPHOLSTERED SET OF 2

2022-06-07





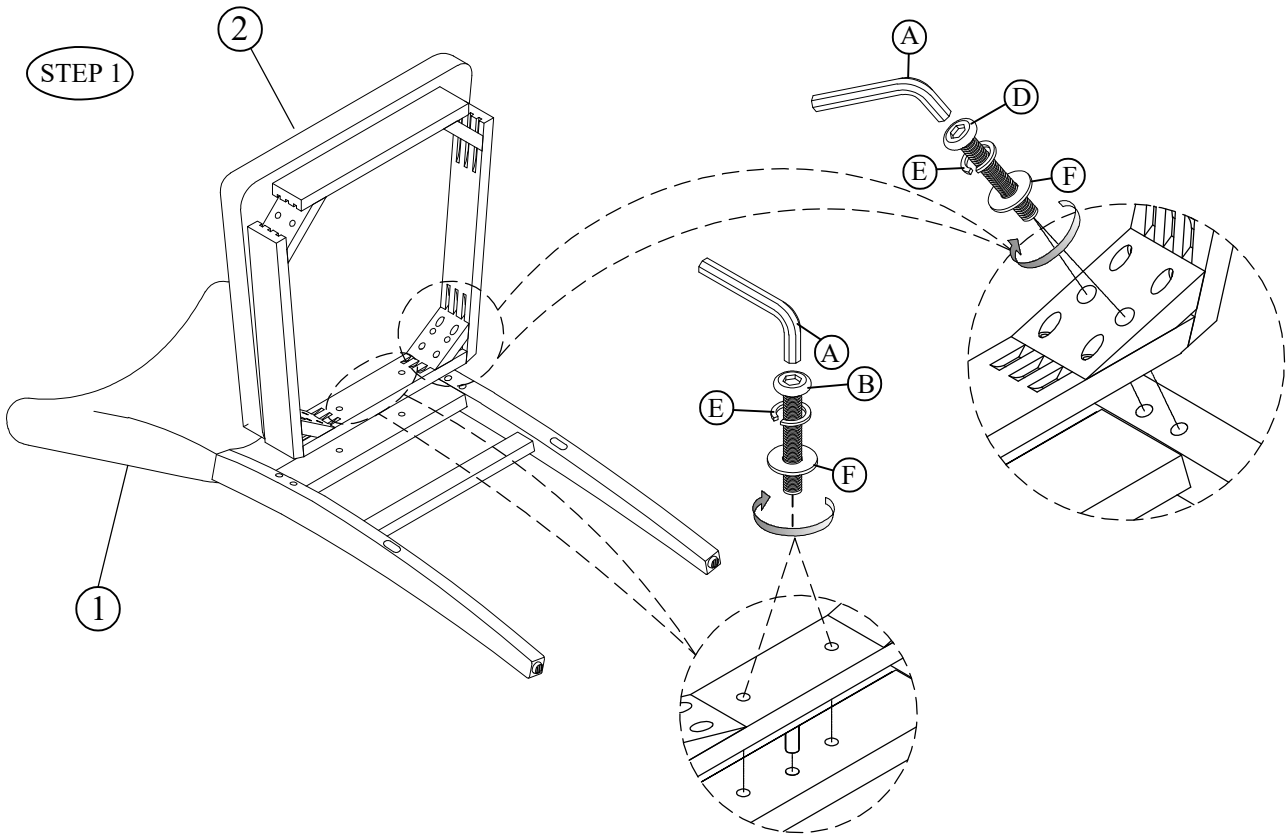
LIVING SPACES

Assembly Instruction

Item No: 321909

Description : SUNLIGHT DINING SANDSTONE COUNTER CHAIR UPHOLSTERED SET OF 2

2022-06-07



STEP 2

