



LIVING SPACES

SUNLIGHT

DINING CHAIR

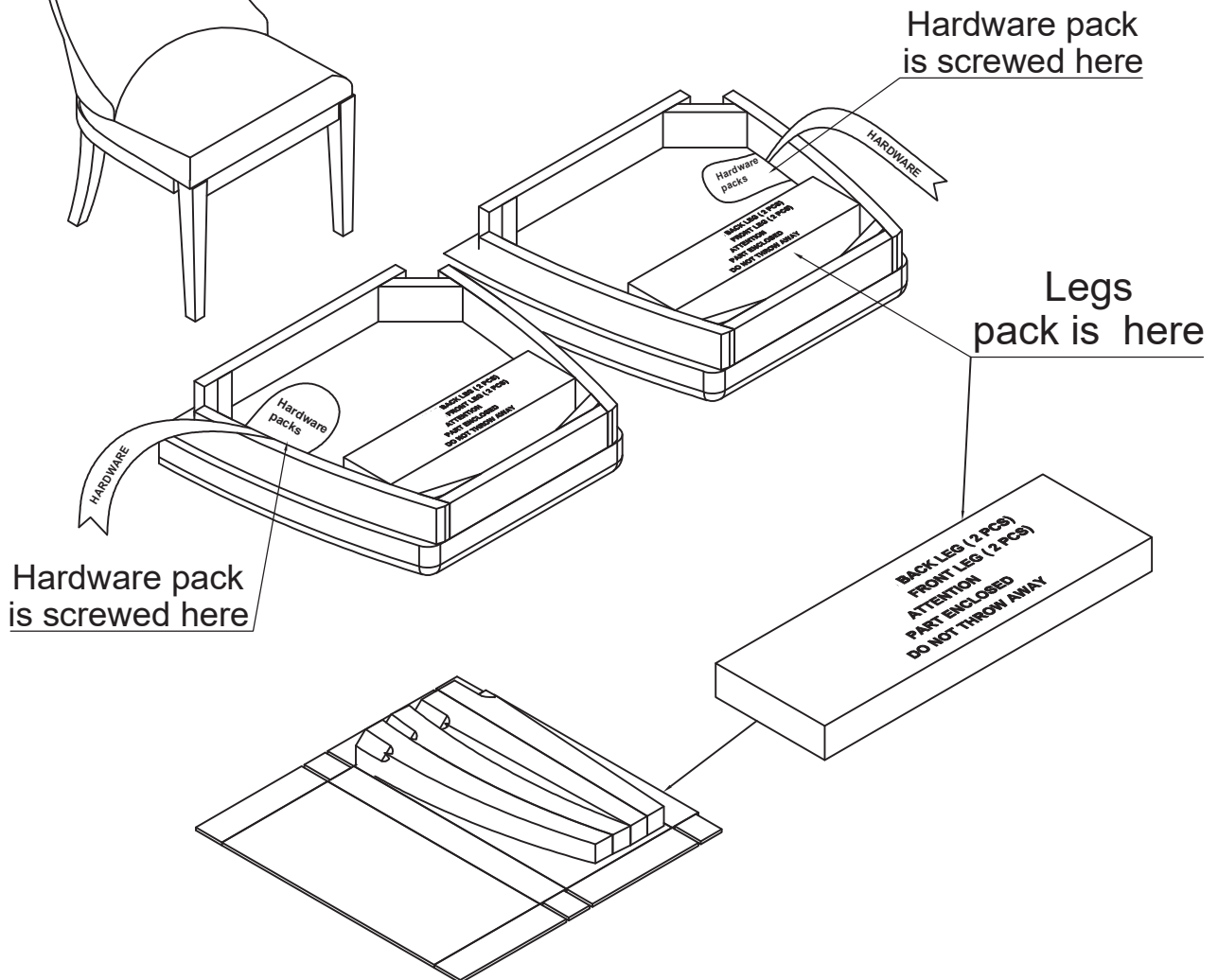
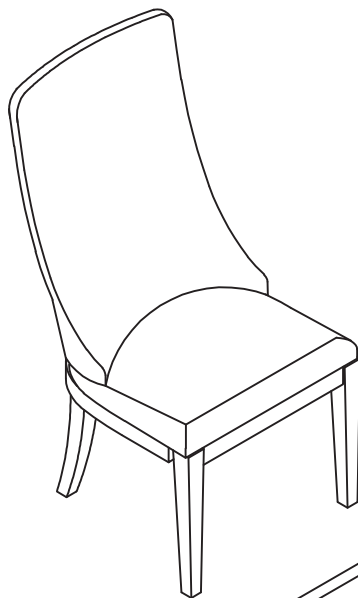
SKU: 321911

HARDWARE LIST (X2)

No	Description	Sketch	Q'TY
A	Allen Wrench 4mm		1PC
B	Bolt Ø1/4"x2-3/8" (60mm)		8PCS
C	Lock Washer Ø1/4"		8PCS
D	Flat Washer Ø1/4"x3/4"		8PCS

PARTS LIST (X2)

SEAT FRAME (1PC)		BACK LEG (2PCS)	
①		②	
FRONT LEG (2PCS)			
③			





LIVING SPACES

SUNLIGHT

DINING CHAIR

SKU: 321911

