



LIVING SPACES






# Assembly Instruction

Item No: 321875


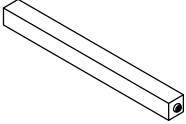
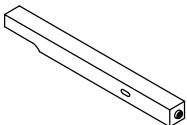
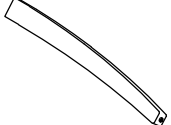
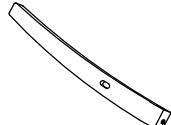
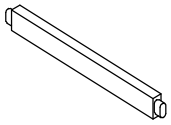
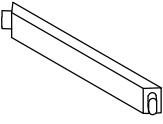
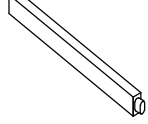
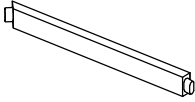
Description : LEVELS DINING SWIVEL COUNTER SLING CHAIR SET OF 2

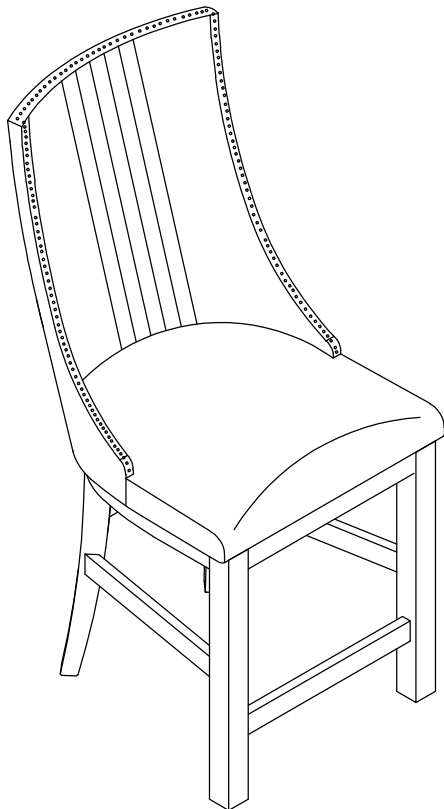
2022-04-05

## HARDWARE LIST (X2)

No	Description	Sketch	Q'TY
A	Allen Wrench 4mm		1PC
B	Bolt Ø1/4x50mm		8PCS
C	Lock Washer Ø1/4x12mm		8PCS
D	Flat Washer Ø1/4x19mm		8PCS
E	Screw #4x38mm		8PCS

## PARTS LIST (X2)

① 	② 
③ 	④ 
⑤ 	⑥ 
⑦ 	⑧ 
⑨ 	





LIVING SPACES

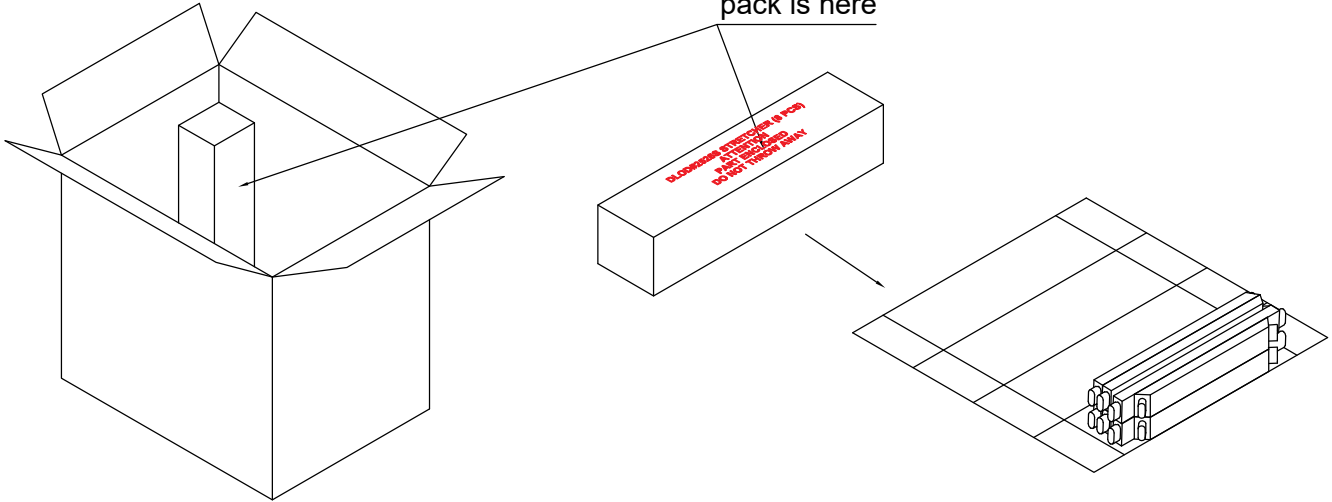
# Assembly Instruction

Item No: 321875

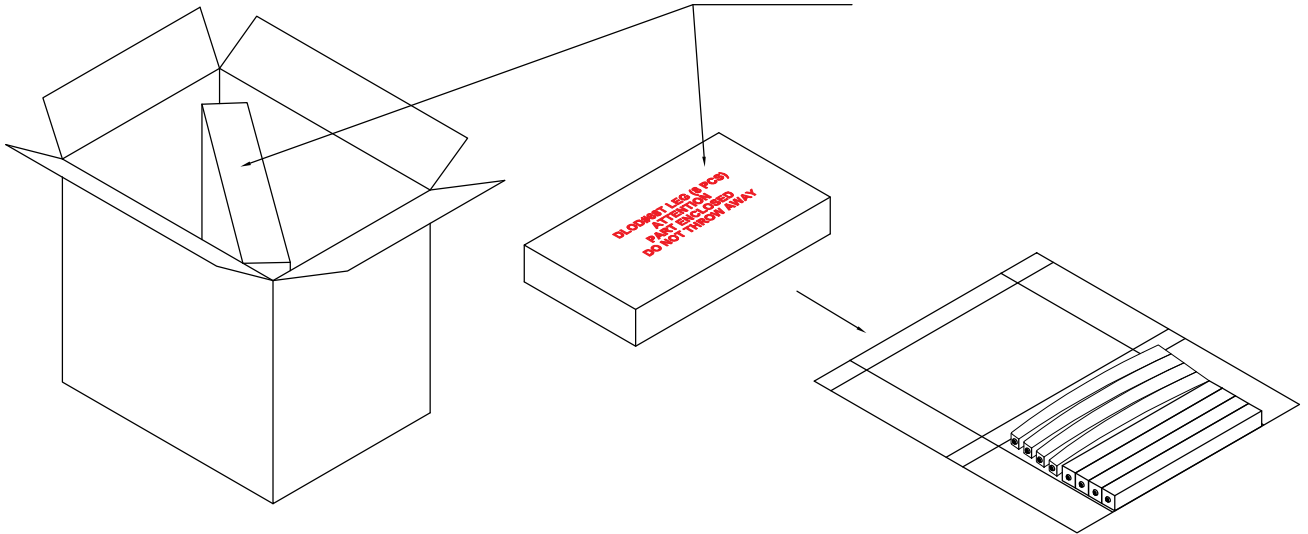
Description : LEVELS DINING SWIVEL COUNTER SLING CHAIR SET OF 2

2022-04-05

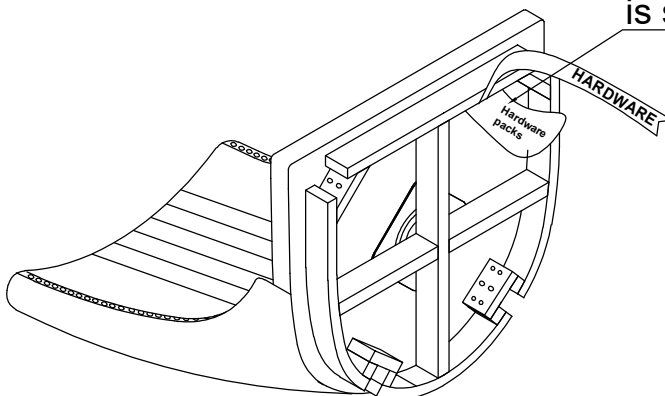
Stretcher  
pack is here



Leg  
pack is here



Hardware pack  
is screwed here



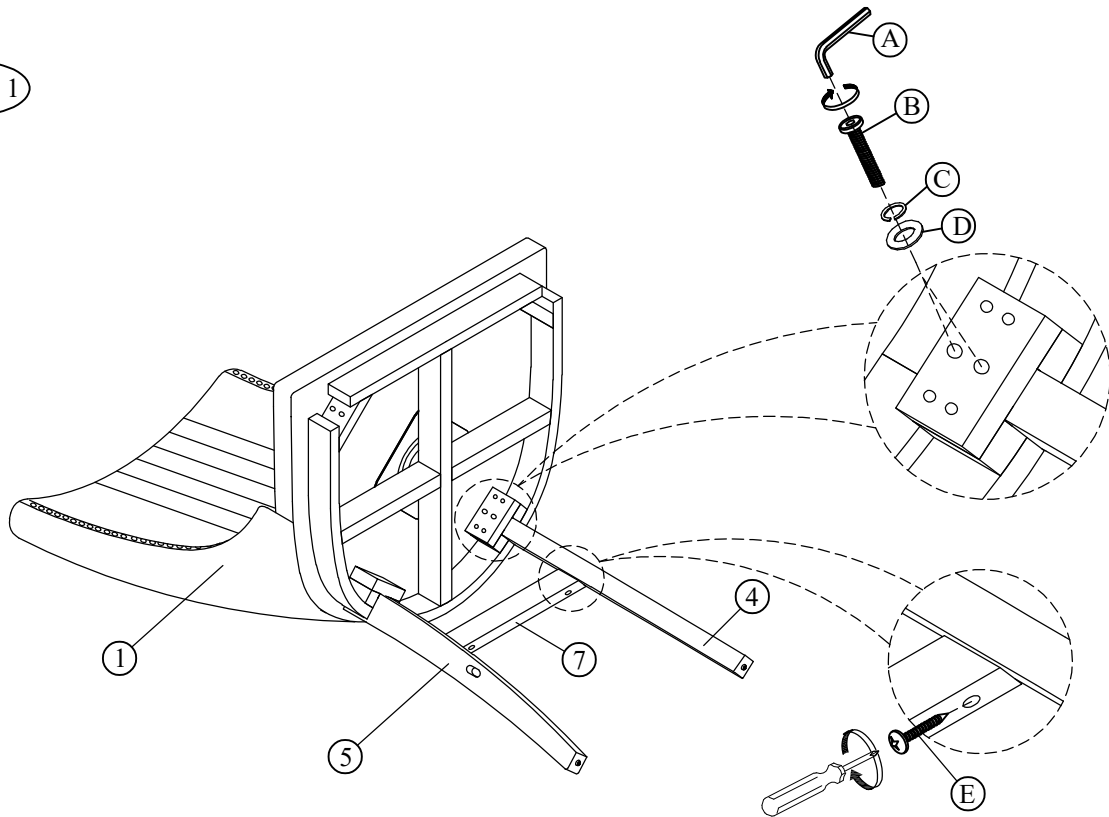
# Assembly Instruction

Item No: 321875

Description : LEVELS DINING SWIVEL COUNTER SLING CHAIR SET OF 2

2022-04-05

STEP 1



STEP 2

