



LIVING SPACES

AMERY

BARREL DINING CHAIR

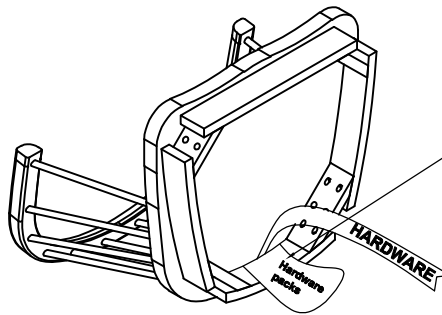
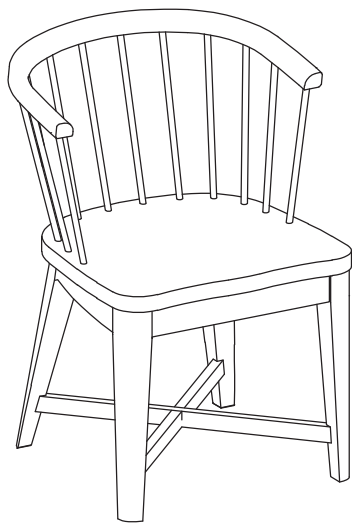
SKU: 323502

HARDWARE LIST (X2)

No	Description	Sketch	Q'TY
A	Allen Wrench 4mm		1PC
B	Bolt Ø1/4x60mm		8PCS
C	Lock Washer Ø1/4x12mm		8PCS
D	Flat Washer Ø1/4x19mm		8PCS
E	Screw #4x20mm		1PCS
F	Screw #4x45mm		4PCS

PARTS LIST (X2)

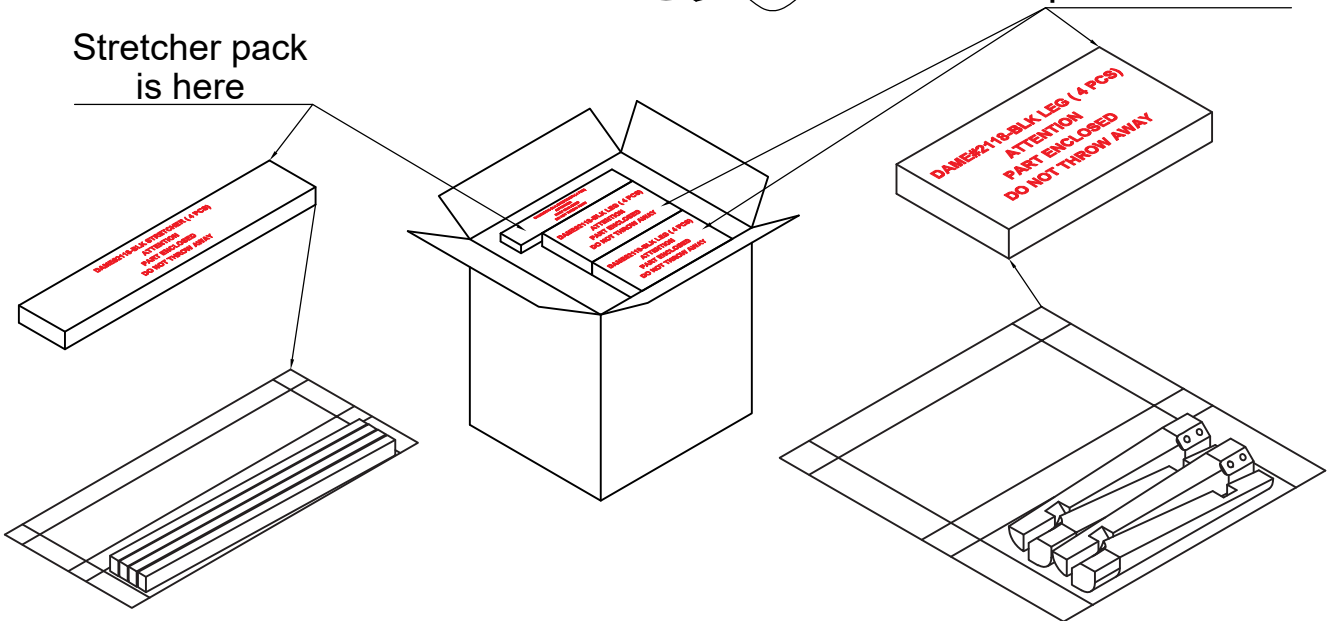
SEAT FRAME (1PC)		FRONT LEG (2PCS)	
①		②	
BACK LEG (2PCS)		UPPER STRETCHER (1PC)	
③		④	
BOTTOM STRETCHER (1PC)			
⑤			



Hardware pack is screwed here

Legs pack is here

Stretcher pack is here





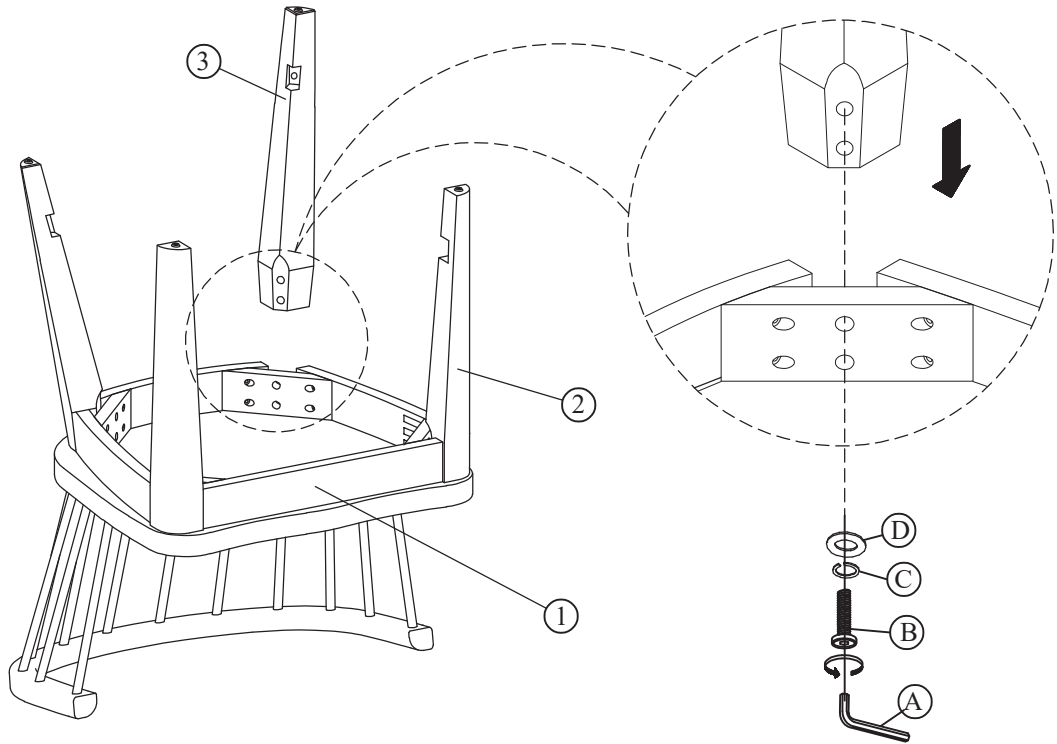
LIVING SPACES

AMERY

BARREL DINING CHAIR

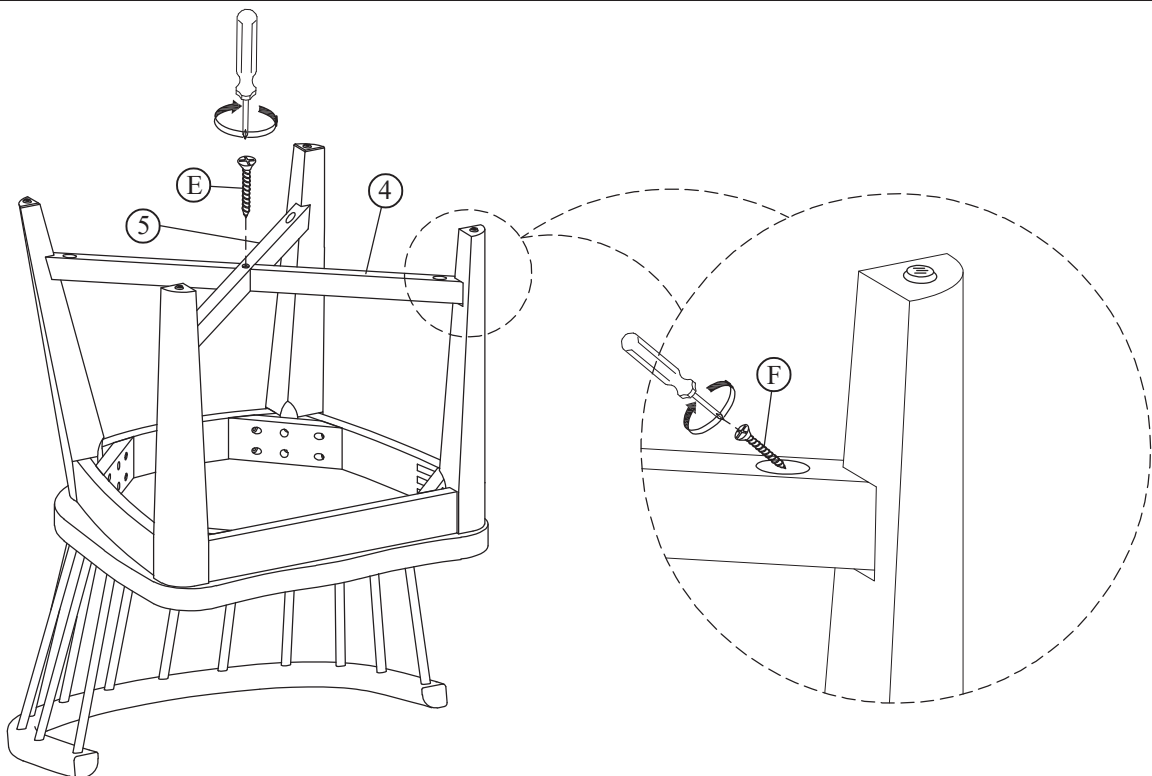
SKU: 323502

STEP 1



* Do not tighten bolts

STEP 2



* Tighten all screws & bolts