






ASSEMBLY INSTRUCTION

INSTRUCCIONES


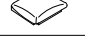

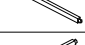

2270CL-S (DINING CHAIR)

2270CL-S (SILLA DE COMEDOR)

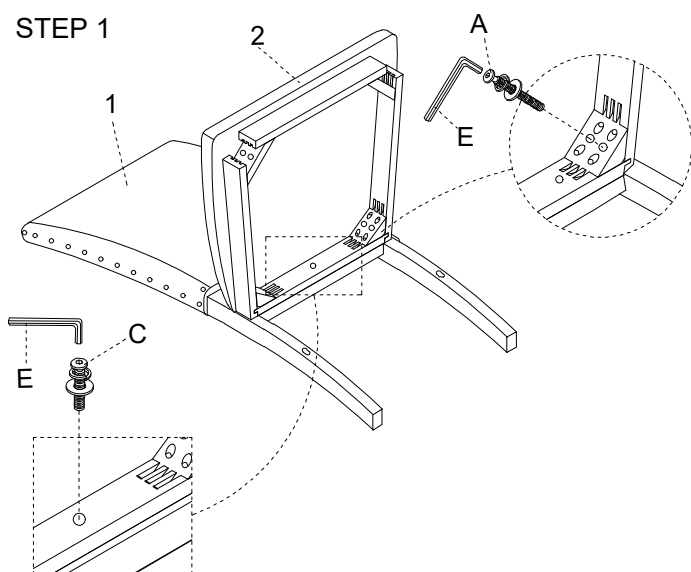
HARDWARE LIST / LISTA DE TORNILLO

A		BOLT (Ø5/16" x 18 x 3-1/8") (Chair back leg corner)	4PCS
B		BOLT (Ø5/16" x 18 x 2-3/8") (Front leg)	4PCS
C		BOLT (Ø5/16" x 18 x 1-1/2") (Chair back center)	1PC
D		SCREW (#8 x 1-1/2")	6PCS
E		ALLEN KEY (4mm)	1PC

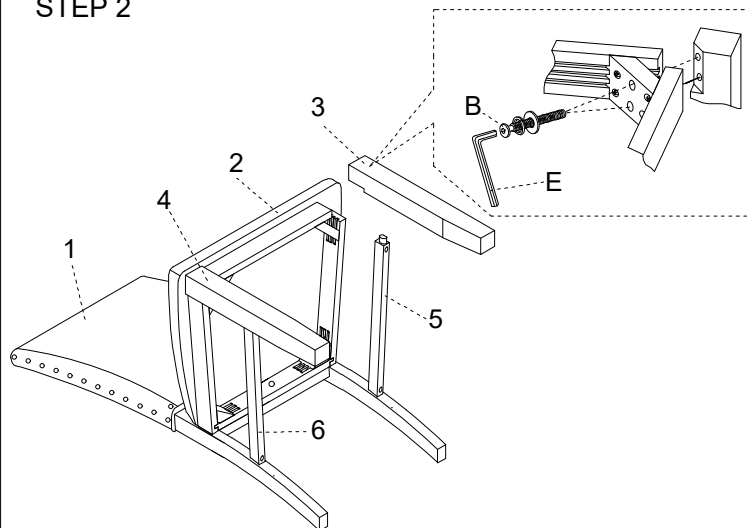
PARTS LIST / LISTA DE PARTES

1		CHAIR BACK	1PC
2		CUSHION WITH SEAT FRAME	1PC
3		RIGHT FRONT LEG	1PC
4		LEFT FRONT LEG	1PC
5		RIGHT STRETCHER	1PC
6		LEFT STRETCHER	1PC

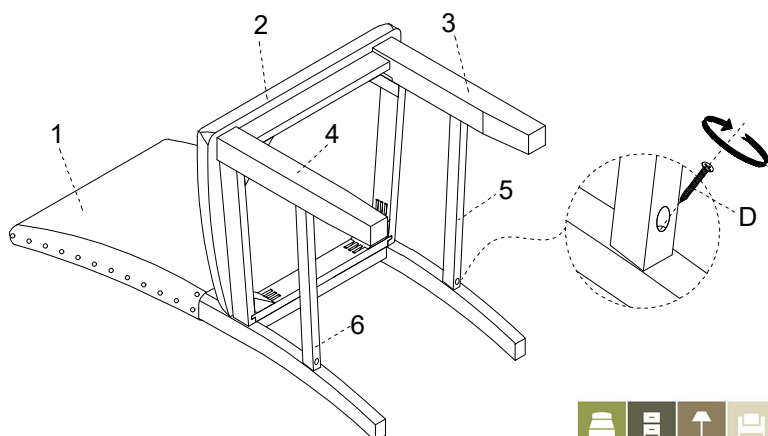
STEP 1



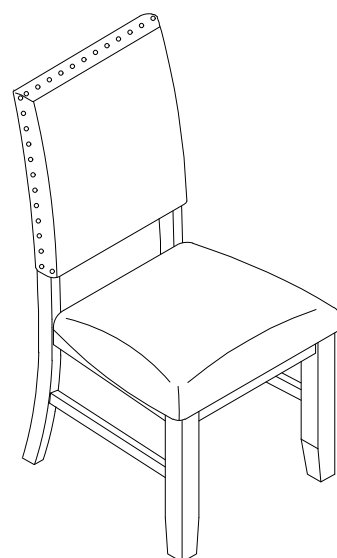
STEP 2



STEP 3



FINISH



DO NOT TIGHTEN ALL BOLTS UNTIL COMPLETELY ASSEMBLED !
NO APRETER LOS TORNILLOS HASTA ARMAR COMPLETAMENTE