
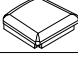











ASSEMBLY INSTRUCTION INSTRUCCIONES

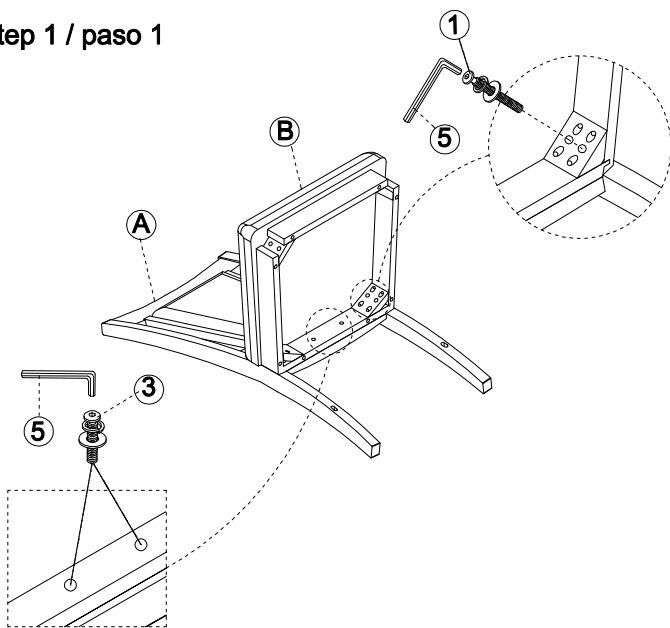
2274S (DINING CHAIR)

2274S (SILLA DE COMEDOR)

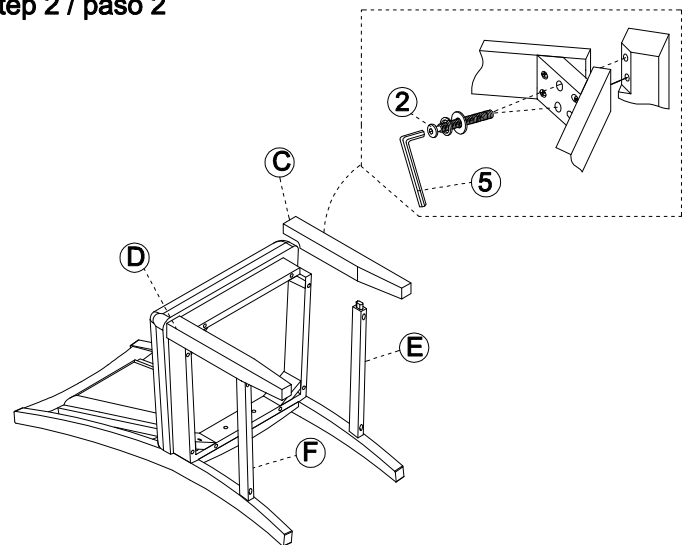
| No. | DESCRIPTION | Q'TY |
|-----|---|-----------|
| A |  CHAIR BACK | 1pc/pieza |
| B |  CUSHION WITH SEAT FRAME | 1pc/pieza |
| C |  RIGHT FRONT LEG | 1pc/pieza |
| D |  LEFT FRONT LEG | 1pc/pieza |
| E |  RIGHT STRETCHER | 1pc/pieza |
| F |  LEFT STRETCHER | 1pc/pieza |

| No. | DESCRIPTION | Q'TY |
|-----|--|-------------|
| ① |  BOLT (Ø5/16" x 18 x 3") (Chair back leg corner) | 4pcs/piezas |
| ② |  BOLT (Ø5/16" x 18 x 2-3/8") (Front leg) | 4pcs/piezas |
| ③ |  BOLT (Ø5/16" x 18 x 1-3/4") (Chair back center) | 2pcs/piezas |
| ④ |  SCREW (#8 x 1-1/2") | 4pcs/piezas |
| ⑤ |  ALLEN KEY (4mm) | 1pc/pieza |

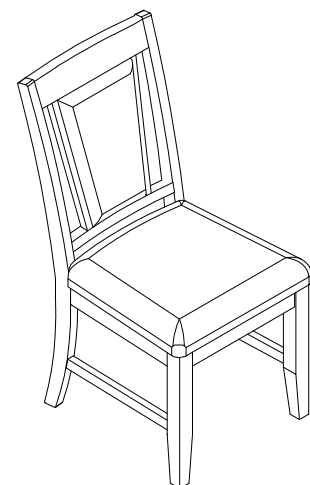
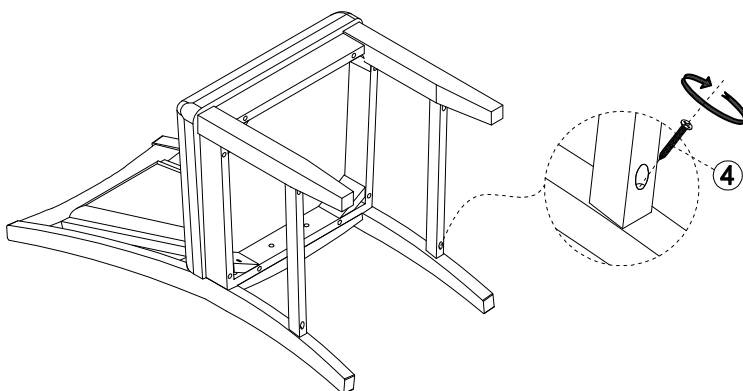
step 1 / paso 1



step 2 / paso 2



step 3 / paso 3




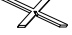



LIVING SPACES




**DO NOT TIGHTEN SCREWS UNTIL COMPLETELY ASSEMBLED !
NO APRETER LOS TORNILLOS HASTA ARMAR COMPLETAMENTE**

ASSEMBLY INSTRUCTION INSTRUCCIONES

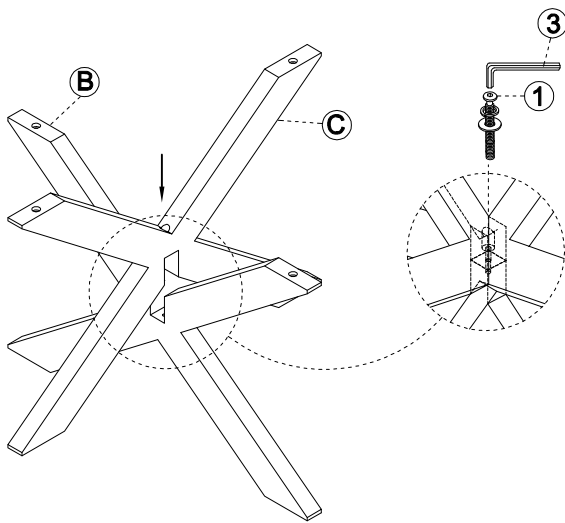
2274T-54 (DINING TABLE)

2274T-54 (MESA DE COMEDOR)

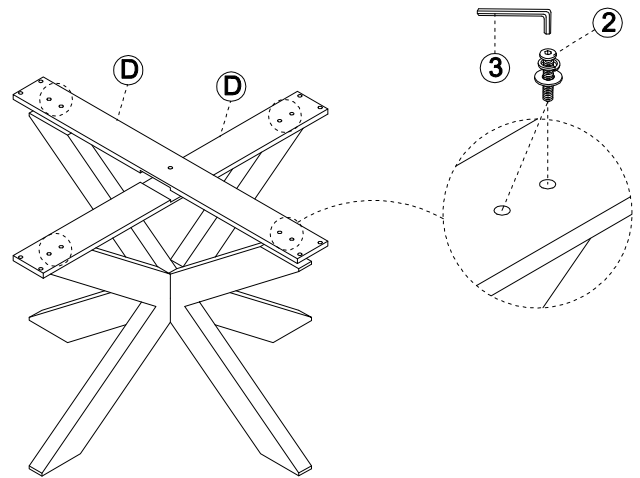
| No. | DESCRIPTION | Q'TY |
|-----|---|-------------|
| A |  TABLE TOP | 1pc/pieza |
| B |  UPPER LEG | 1pc/pieza |
| C |  LOWER LEG | 1pc/pieza |
| D |  CONNECT BOARD | 2pcs/piezas |

| No. | DESCRIPTION | Q'TY |
|-----|---|--------------|
| ① |  BOLT (Ø5/16" x 18 x 3") | 1pc/pieza |
| ② |  BOLT (Ø5/16" x 18 x 1-1/2") | 17pcs/piezas |
| ③ |  ALLEN KEY (4mm) | 1pc/pieza |

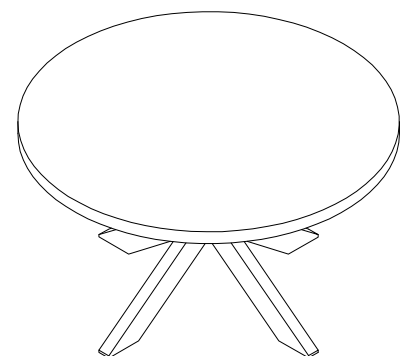
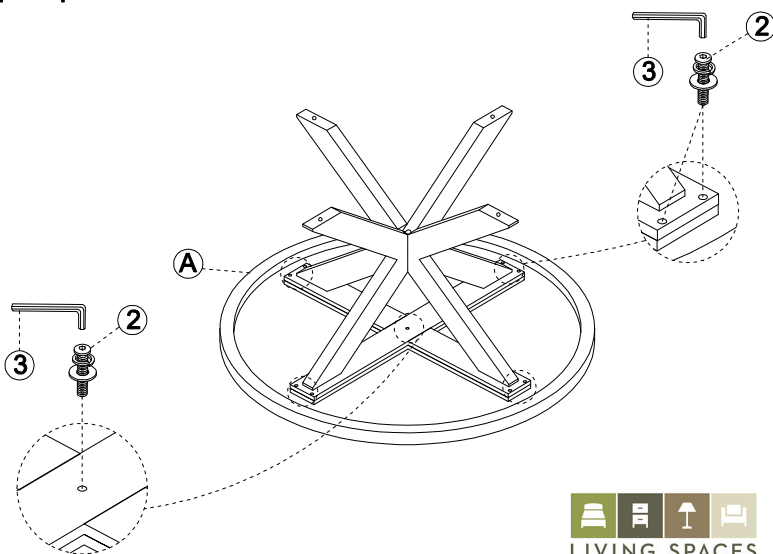
step 1 / paso 1



step 2 / paso 2



step 3 / paso 3




LIVING SPACES

**DO NOT TIGHTEN SCREWS UNTIL COMPLETELY ASSEMBLED !
NO APRETER LOS TORNILLOS HASTA ARMAR COMPLETAMENTE**