






# ASSEMBLY INSTRUCTION INSTRUCCIONES



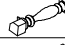

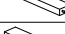
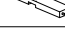

2270CL-BENCH (BENCH)

2270CL-BENCH (BANCA DE COMEDOR)

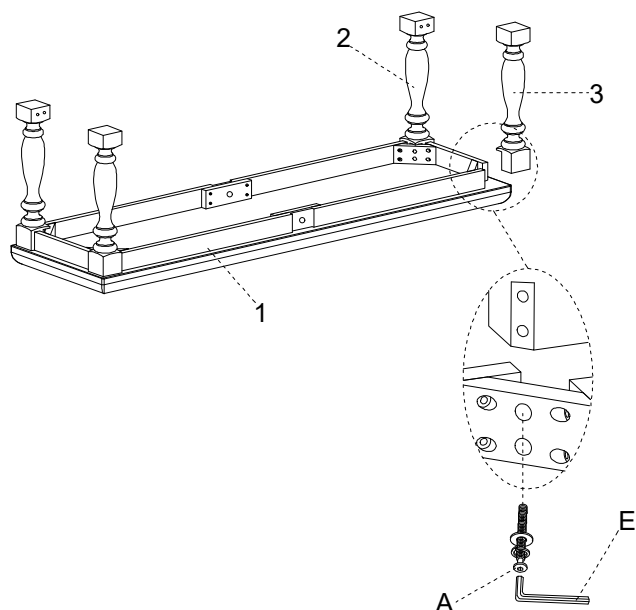
## HARDWARE LIST / LISTA DE TORNILLO

A		BOLT (Ø5/16" x 18 x 2-3/8")	8PCS
B		BOLT (Ø5/16" x 18 x 1-3/4")	2PCS
C		SCREW ( #8 x 1-3/8" )	8PCS
D		SCREW ( #8 x 5/8" )	1PCS
E		ALLEN KEY ( 4mm )	1PC

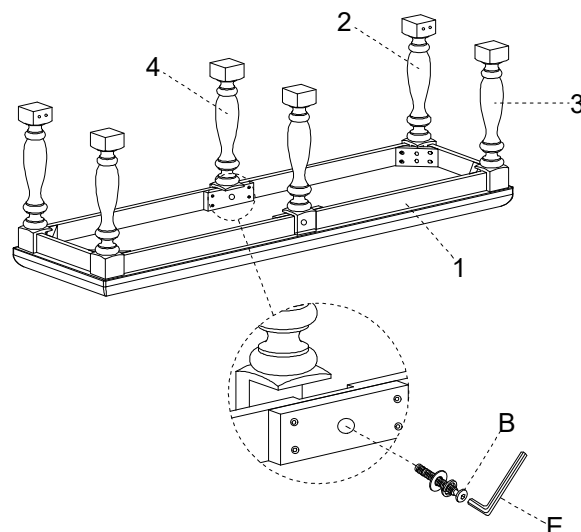
## PARTS LIST / LISTA DE PARTES

1		CUSHION SEAT WITH FRAME	1PC
2		LEFT LEG	2PCS
3		RIGHT LEG	2PCS
4		SUPPORT LEG	2PCS
5		SHORT STRETCHER	2PCS
6		SHORT STRETCHER	1PC
7		LONG STRETCHER	1PC

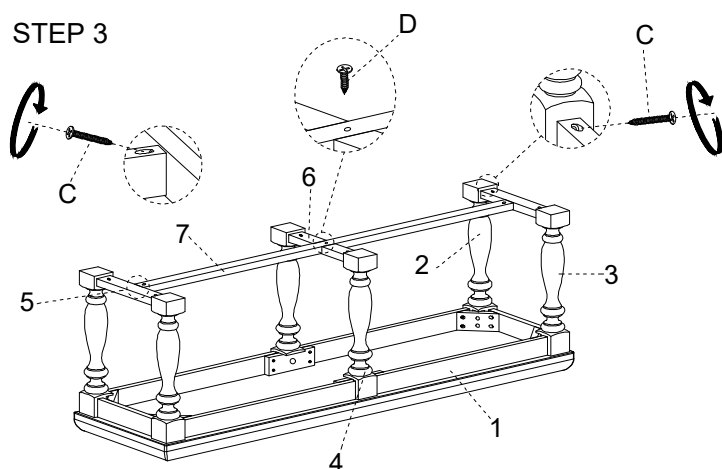
### STEP 1



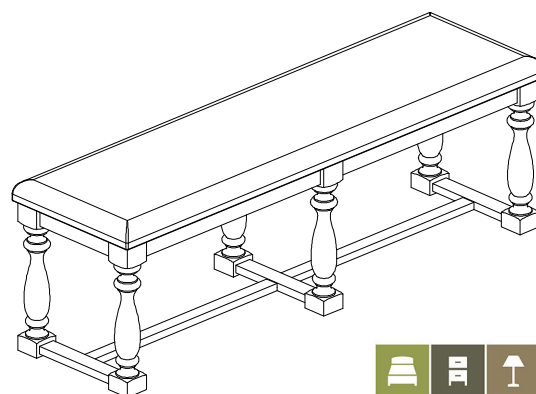
### STEP 2



### STEP 3



### FINISH



  
LIVING SPACES

**DO NOT TIGHTEN ALL BOLTS UNTIL COMPLETELY ASSEMBLED !  
NO APRETER LOS TORNILLOS HASTA ARMAR COMPLETAMENTE**