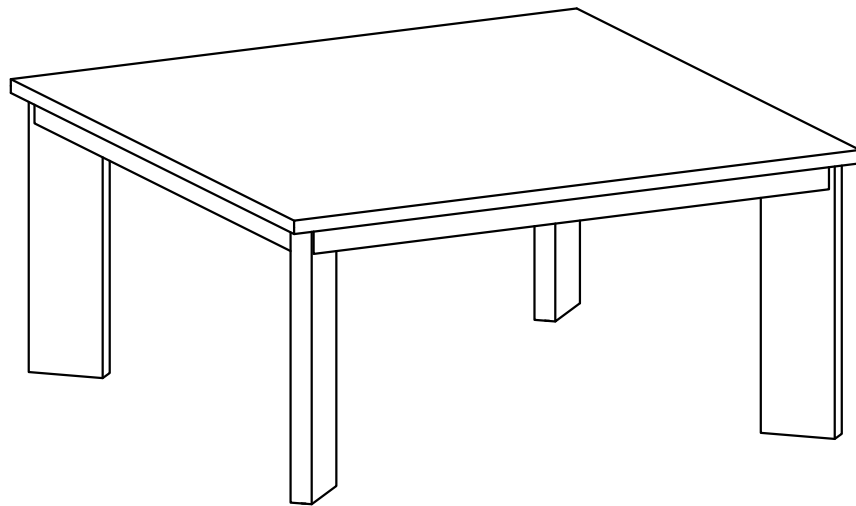




Scan QR code to view assembly video

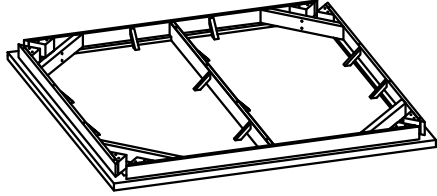

VALENTINA SQUARE 64" DINING TABLE



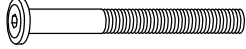



RS 2023 T71 / 336159



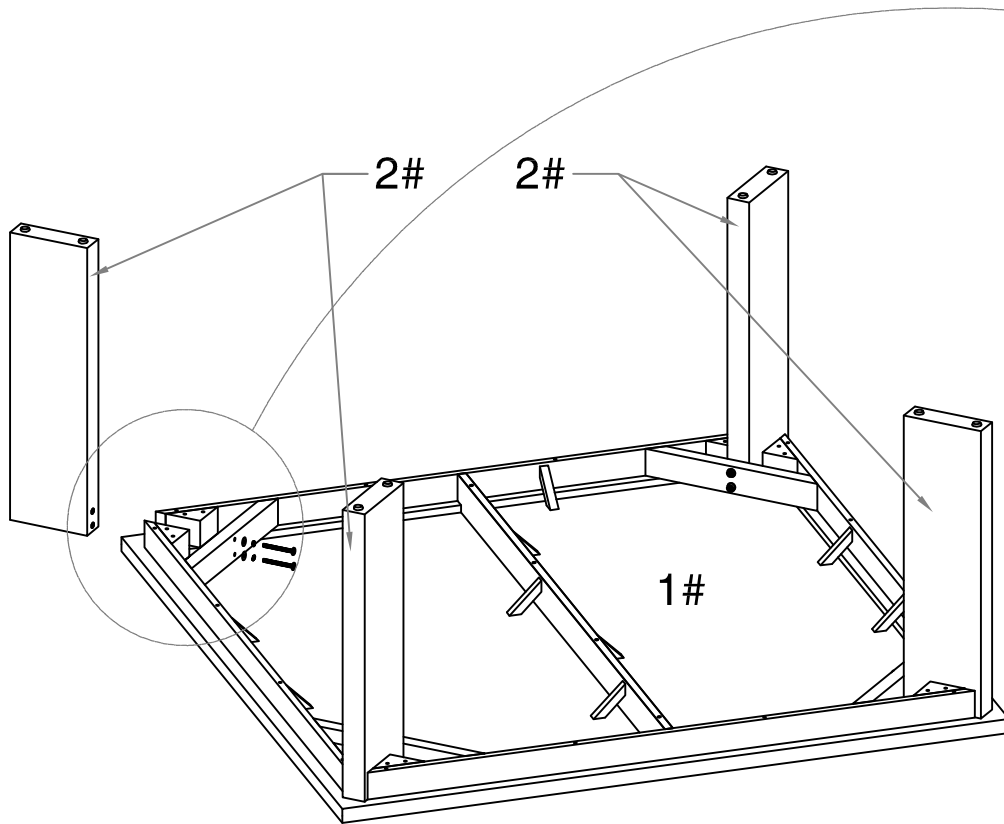
PART LIST

1#		Table top	X1
2#		Legs	X4

HARDWARE

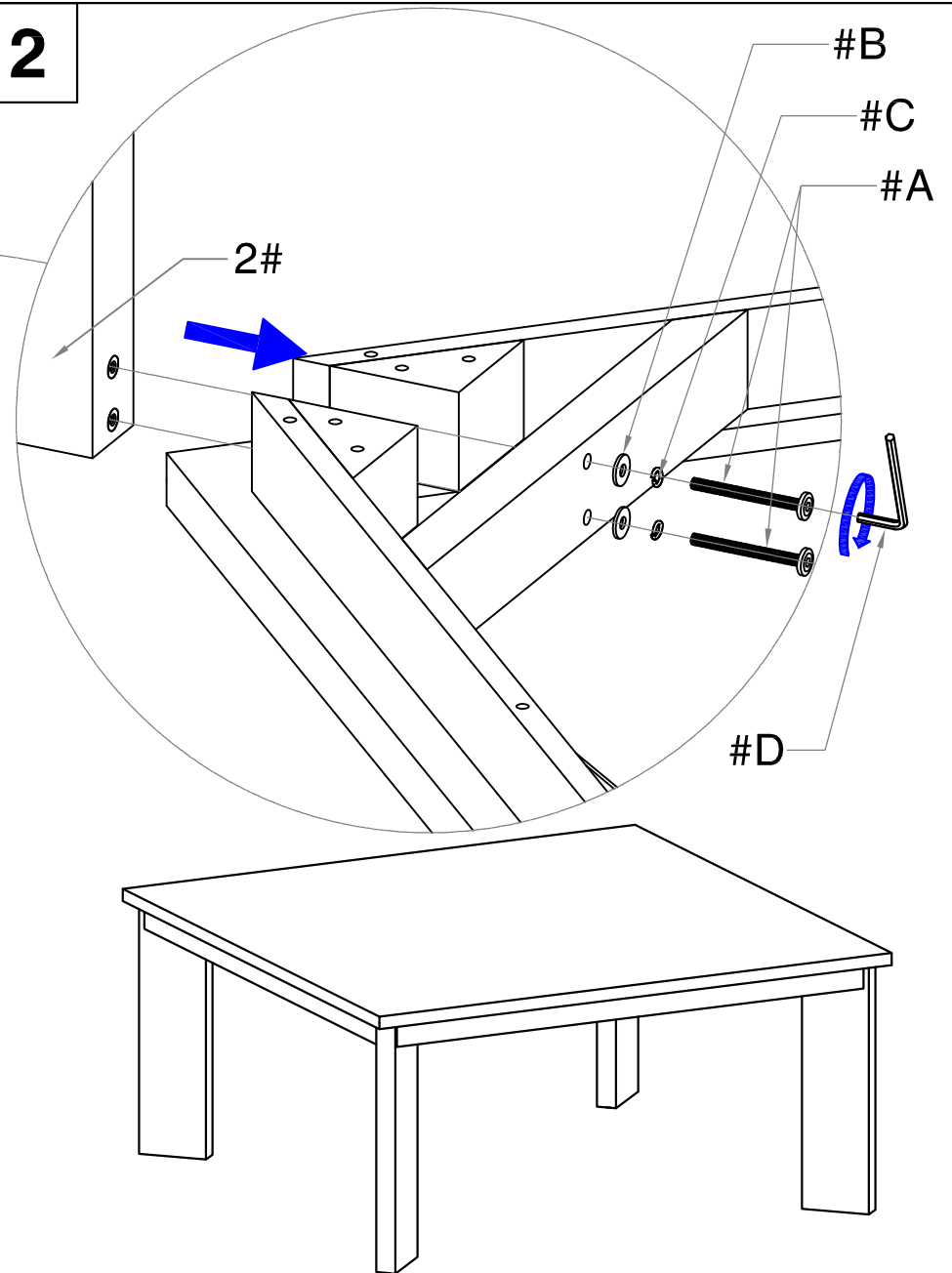
A#		Bolt 5/16x76mm	X8
B#		Flat Washer 5/16	X8
C#		Spring washer 5/16	X8
D#		Allen key 5mm	X1

1



Notice: As you unpack and prepare for assembly, place the contents on a carpeted or padded area to protect them from damage.

2



Tips: Turn table upright on a level surface. Level the table and tighten all bolts with the Allen Wrench.