

# MAXIME FULL/QUEEN/E.KING BED ASSEMBLY INSTRUCTIONS



## BOX 1 - HEADBOARD-FOOTBOARD

PART NO.	IMAGE	DESCRIPTION	QUANTITY
A		HEADBOARD	1
B		LEFT HEADBOARD LEG	1
C		RIGHT HEADBOARD LEG	1
D		FOOTBOARD	1

## BOX 2 - SIDERAILS

PART NO.	IMAGE	DESCRIPTION	QUANTITY
E		SIDERAIL	2
F		CENTER SLAT	1
G		LEG SUPPORT	4

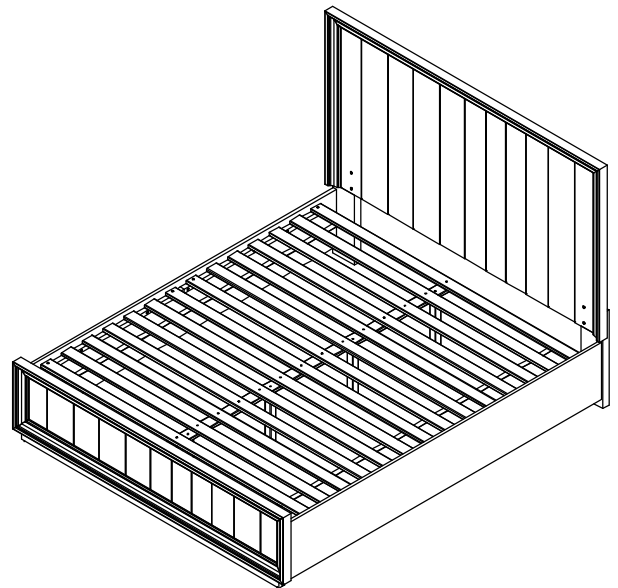
## BOX 3 - SLAT ROLL

PART NO.	IMAGE	DESCRIPTION	QUANTITY
H		SLAT ROLL	1

## HARDWARE KIT PACKED IN BOX 1

1		ALLEN BOLT (6X35mm)	8
2		SPRING WASHER (M6)	8
3		FLAT WASHER (M6)	8
4		WOOD SCREW (8X30mm)	9
5		ALLEN BOLT (6X40mm)	11
6		ALLEN KEY	1

## FULLY ASSEMBLED



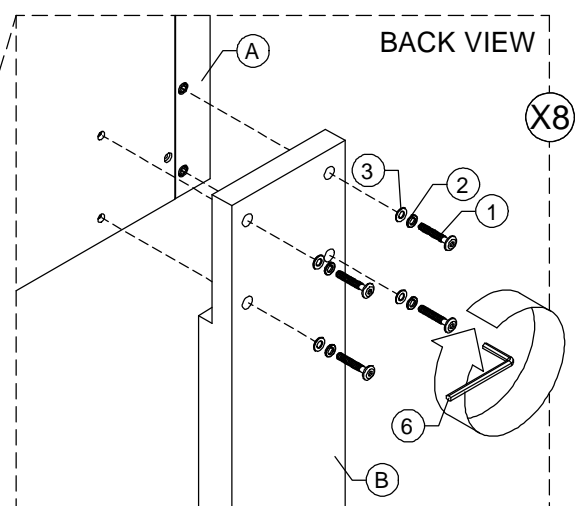
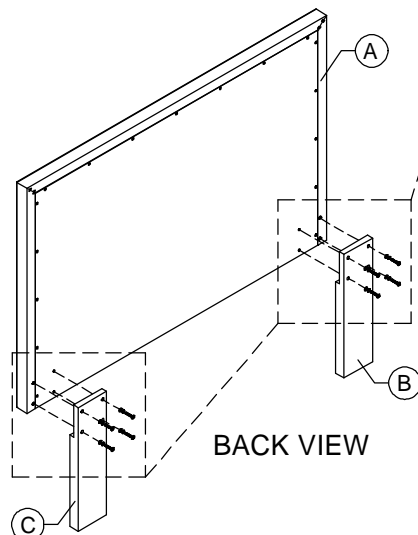
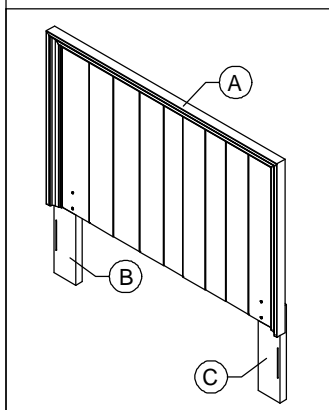
YOUR BOX MAY CONTAIN  
EXTRA HARDWARE



NOT PROVIDED

**ASSEMBLE ON A SOFT SURFACE**

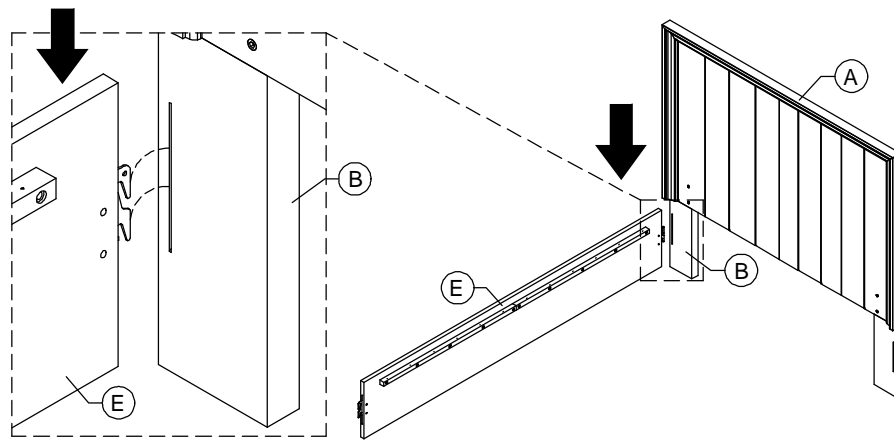
## STEP 1 :



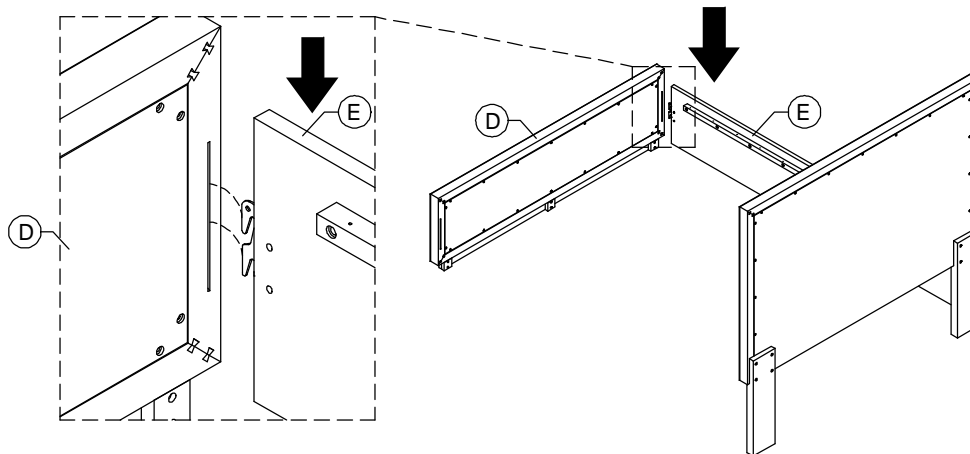
# MAXIME FULL/QUEEN/E.KING BED ASSEMBLY INSTRUCTIONS



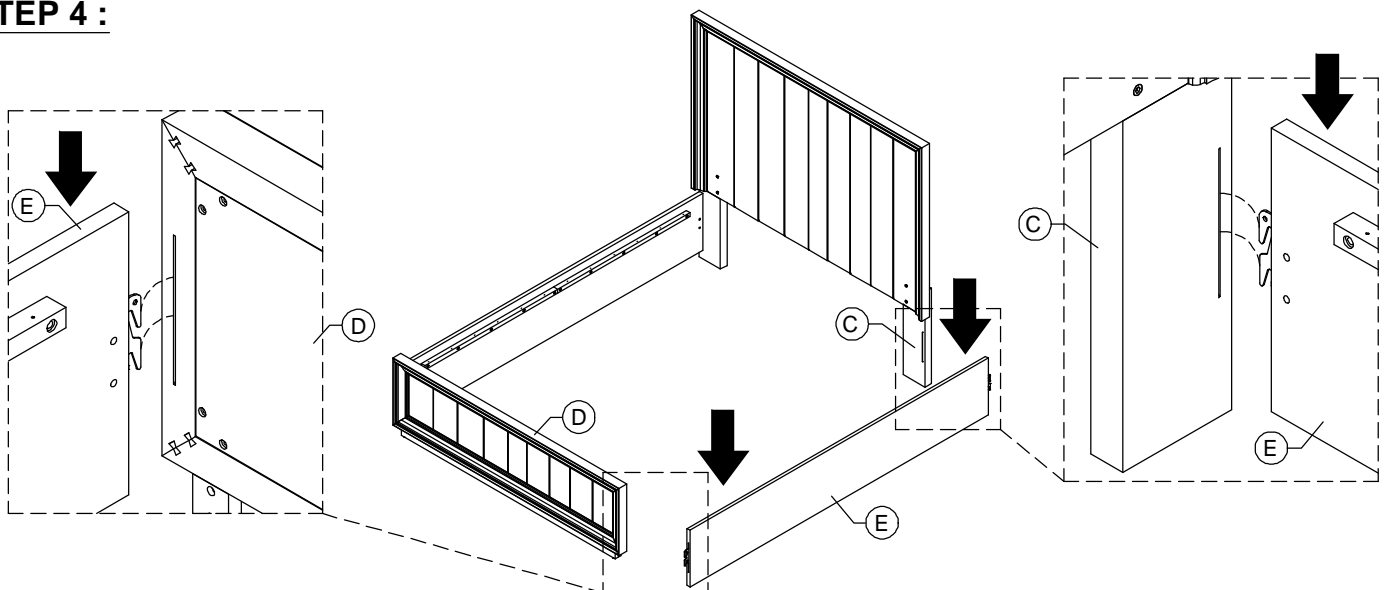
## STEP 2 :



## STEP 3 :



## STEP 4 :



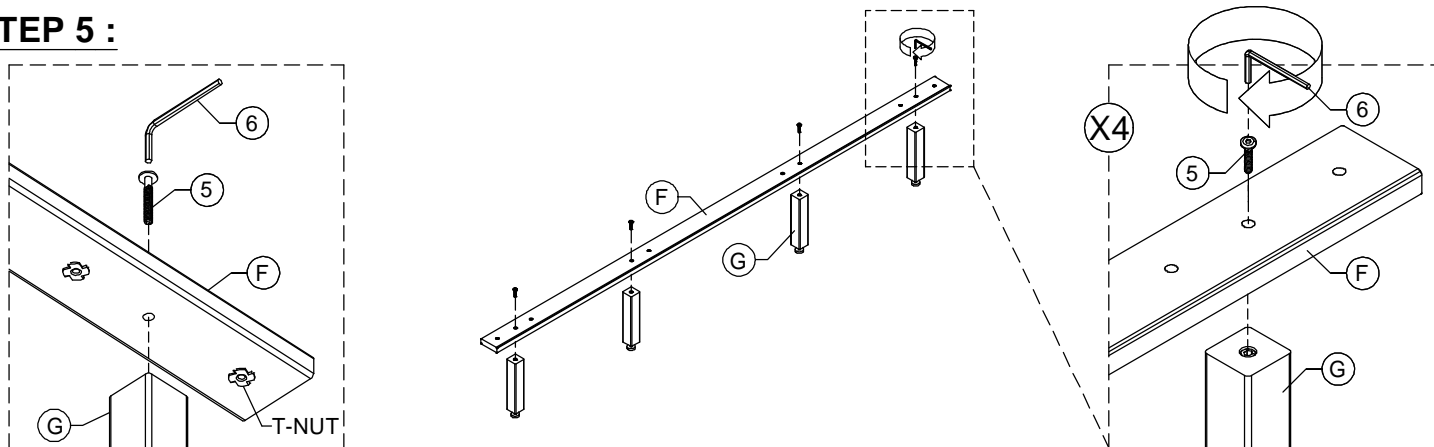
### STOP

- IF USING BED FRAME WITH ADJUSTABLE MATTRESS BASE, SKIP TO APPENDIX A: ADJUSTABLE MATTRESS BASE ASSEMBLY SUPPLEMENT.
- IF USING BED FRAME WITH STANDARD BOX SPRING OR FOUNDATION CONTINUE TO STEP 5.

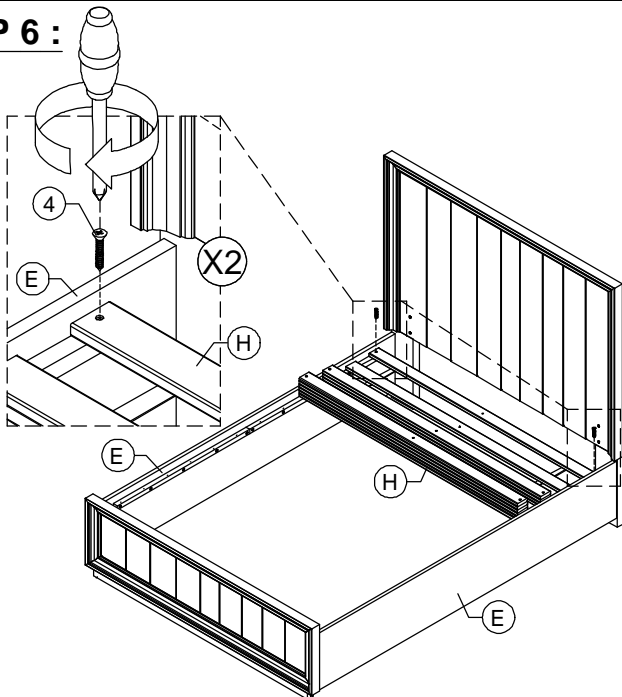
# MAXIME FULL/QUEEN/E.KING BED ASSEMBLY INSTRUCTIONS



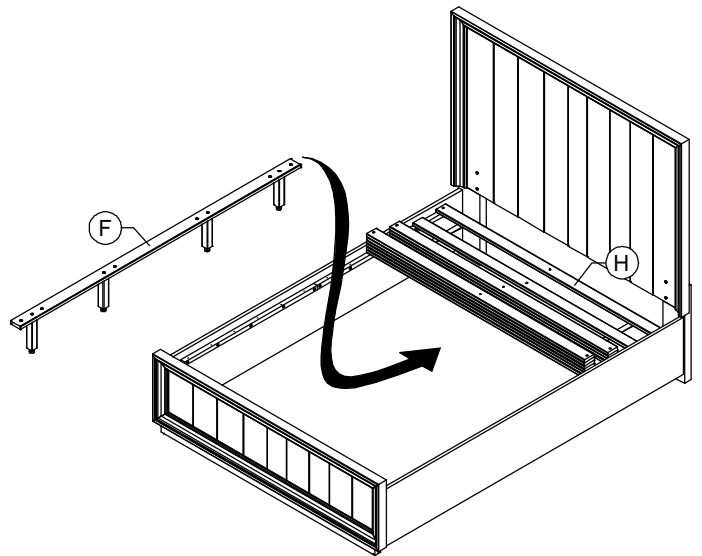
## STEP 5 :



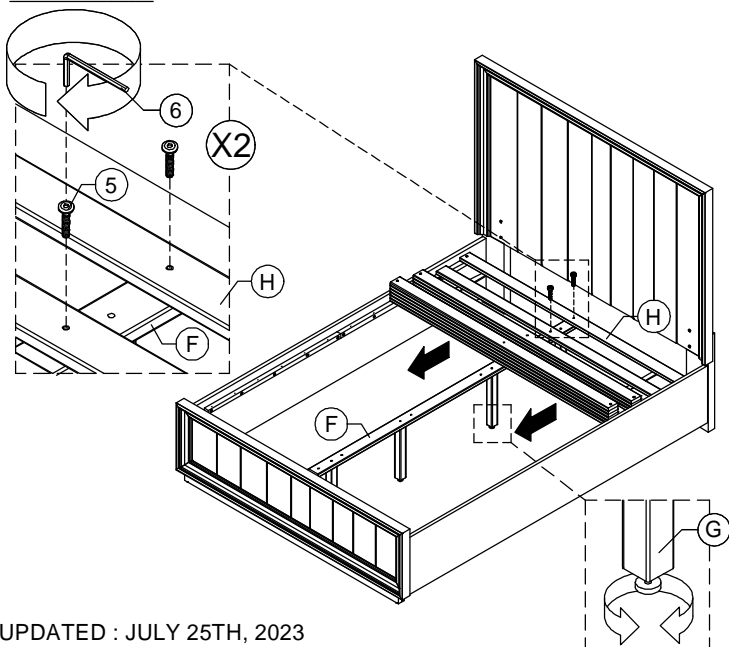
## STEP 6 :



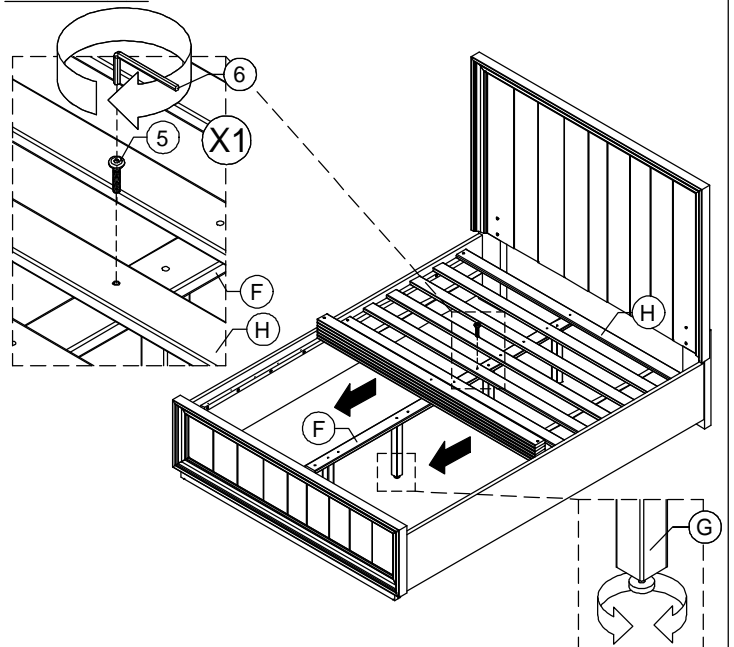
## STEP 7 :



## STEP 8 :



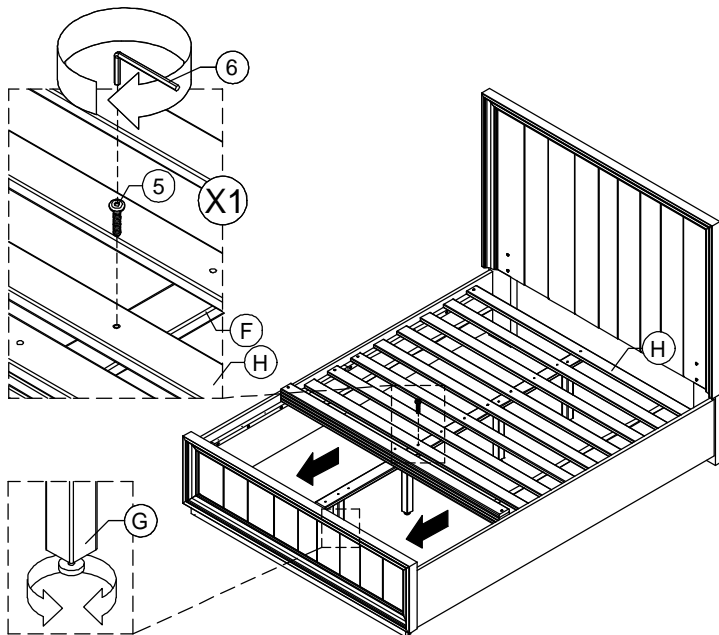
## STEP 9 :



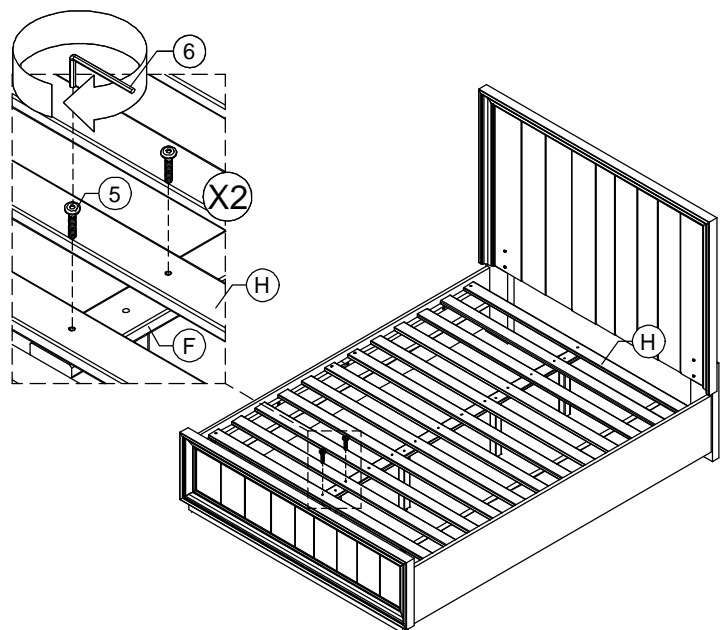
# MAXIME FULL/QUEEN/E.KING BED ASSEMBLY INSTRUCTIONS



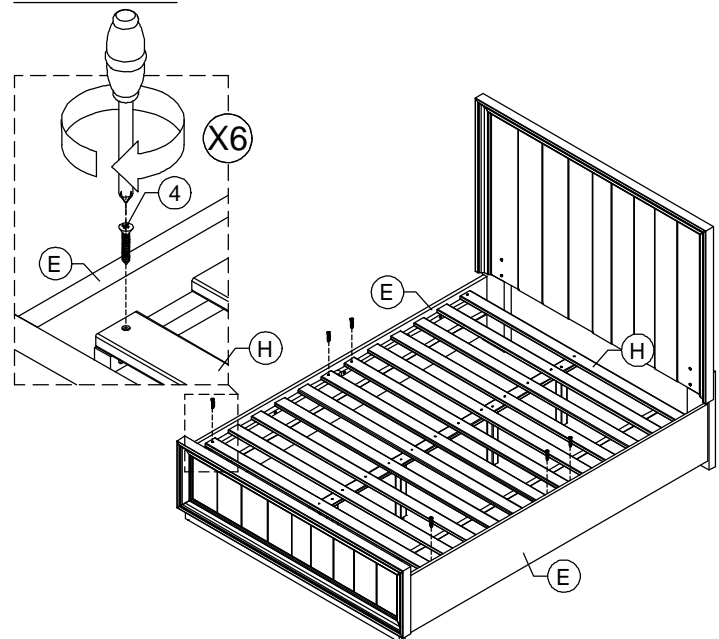
## STEP 10 :



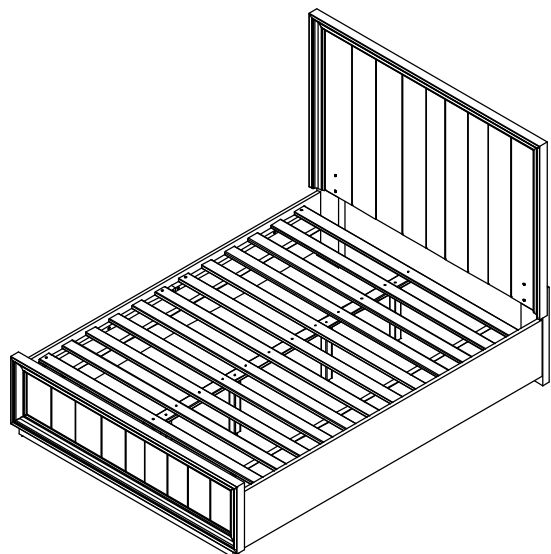
## STEP 11 :



## STEP 12 :



## STEP 13 :



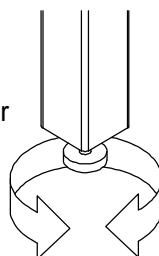
**ASSEMBLY COMPLETE**

## INSTRUCTIONS FOR ADJUSTING LEVELER :

Position the bed in your space and locate the leveler under each leg support (G).

Turn the leveler counter-clockwise to extend the leveler and clockwise to retract it.

Adjust each leveler until each leg support is applying equal, upward pressure on the center slat.



## MAINTENANCE INSTRUCTIONS :

- Periodically check all fittings and tighten if necessary, as they can loosen over time.
- Always remove box spring and mattress before moving the bed.
- Lift the bed when moving it. Dragging the bed can damage the center support.
- Readjust levelers after moving the bed.

# MAXIME FULL/QUEEN/E.KING BED

## APPENDIX A: ADJUSTABLE MATTRESS BASE ASSEMBLY SUPPLEMENT



AN ADJUSTABLE MATTRESS BASE IS A FREESTANDING MATTRESS SUPPORT THAT SITS WITHIN THE PERIMETER OF THE BED FRAME.

IF USING THIS BED FRAME WITH A STANDARD BOX SPRING OR FOUNDATION THESE INSTRUCTIONS DO NOT APPLY.

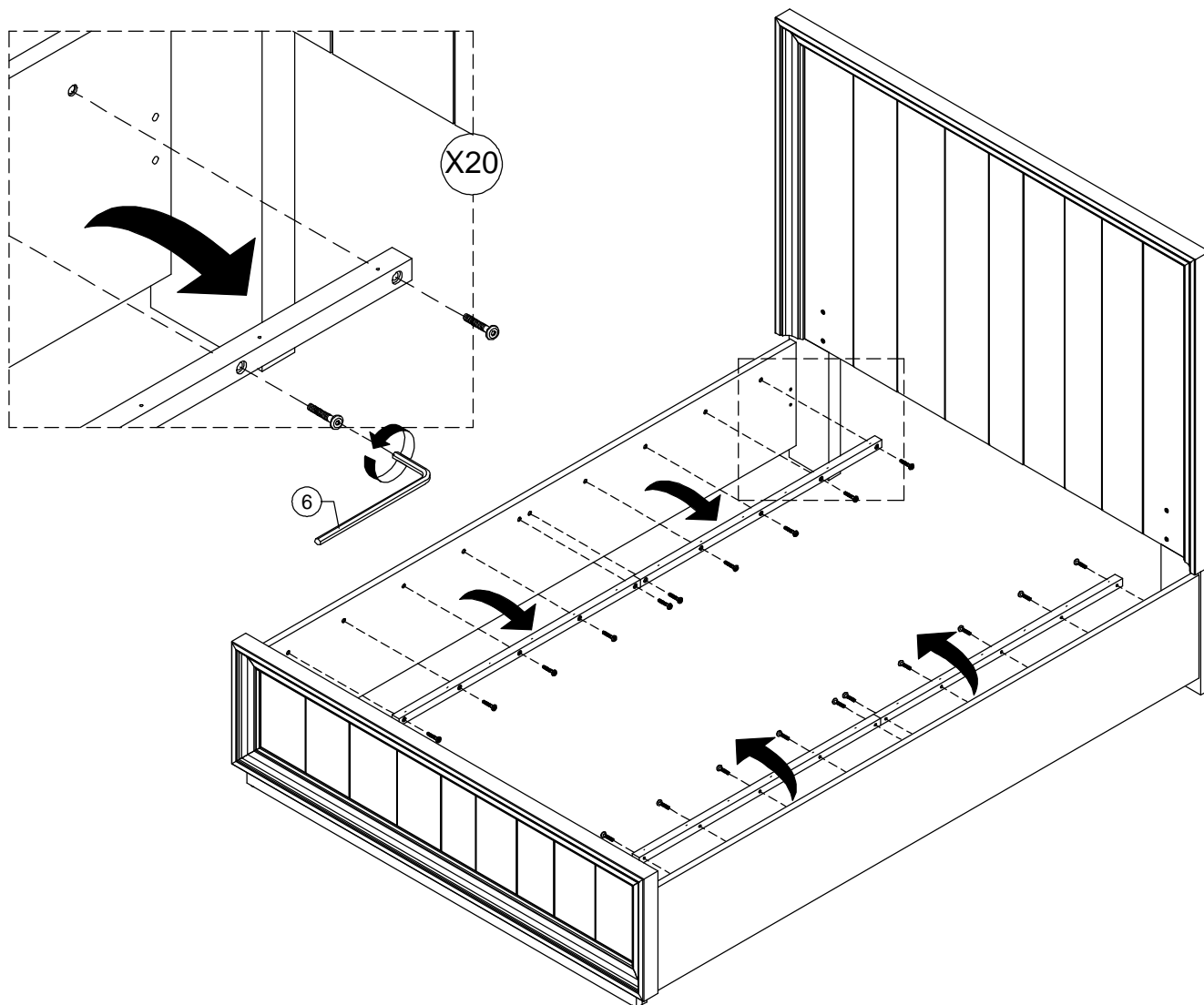
PRE-ASSEMBLED SIDE RAIL CLEATS OBSTRUCT ADJUSTABLE BASE INSTALLATION AND OPERATION. FOLLOW THESE INSTRUCTIONS TO REMOVE THEM.

### THE FOLLOWING PARTS ARE NOT REQUIRED FOR ADJUSTABLE MATTRESS BASE INSTALLATION:

F. CENTER SLAT	1PC	4. WOOD SCREW (8X30mm)	9PCS
G. LEG SUPPORT	4PCS	5. ALLEN BOLT (6X40mm)	11PCS
H. SLAT ROLL	1SET		

### STEP 1 :

USE ALLEN KEY (6) TO UNSCREW ALLEN BOLTS AND REMOVE PRE-ASSEMBLED SIDE RAIL CLEATS.



NOTE: YOU MAY WISH TO RETAIN UNUSED PARTS IF IN THE FUTURE YOU INTEND TO USE THE BED FRAME WITH A STANDARD BOX SPRING OR FOUNDATION.