

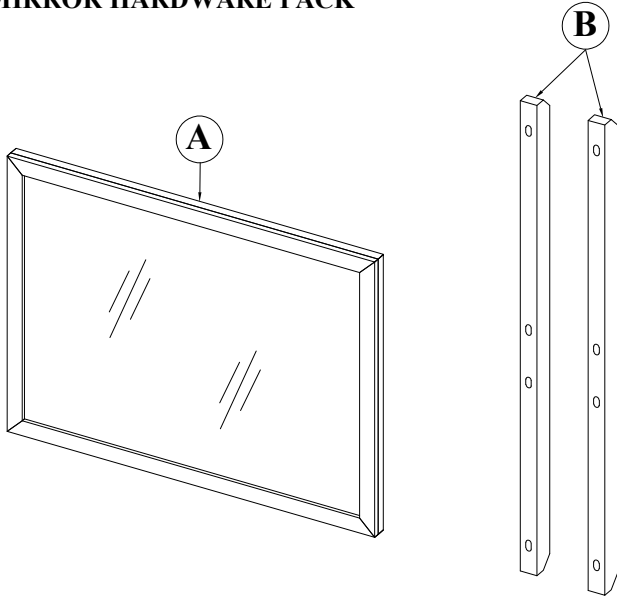
ALEXANDRA DRESSER MIRROR ASSEMBLY INSTRUCTIONS



PARTS PACKING CONFIGURATIONS

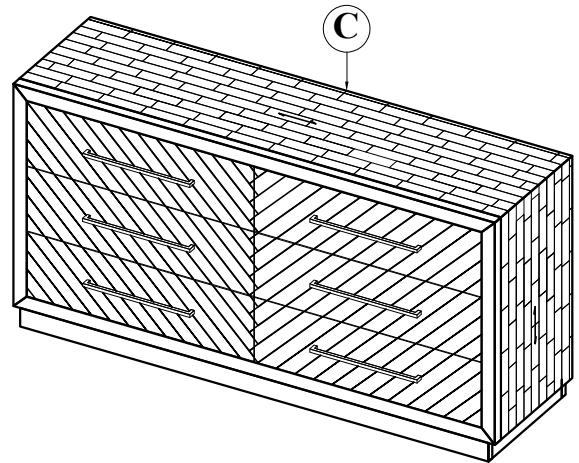
BOX #1:

- A. MIRROR : 1 PC**
- B. MIRROR SUPPORTS : 2 PCS**
- * MIRROR HARDWARE PACK**



BOX #2:

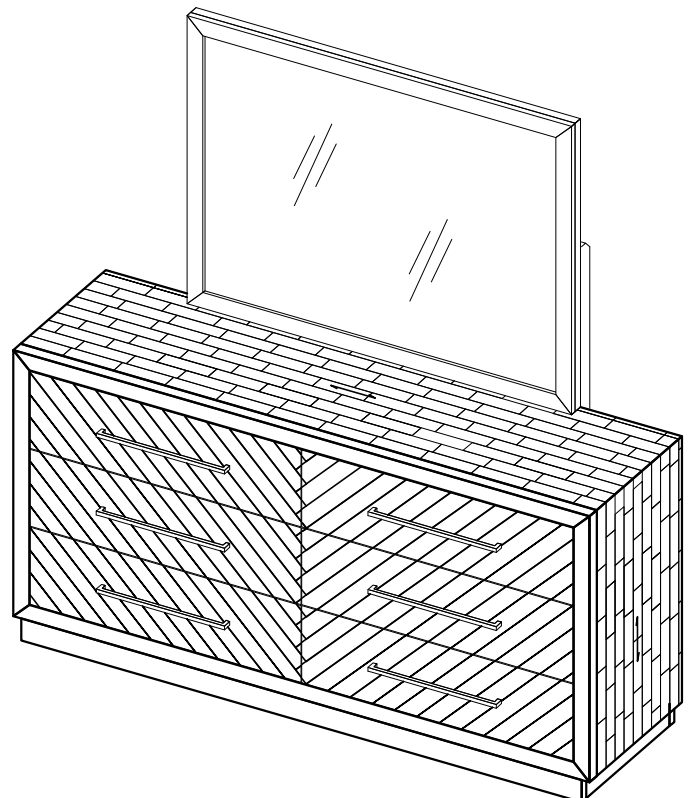
- C. DRESSER : 1 PC**
(SOLD SEPARATELY)



HARDWARE KIT PACKED IN BOX #1

No.	Description	Image	Quantity
1	ALLEN KEY		1 PC
2	ALLEN BOLT (M6x45)		08 PCS
3	SPRING WASHER (M6)		08 PCS
4	FLAT WASHER (M6)		08 PCS

FULLY ASSEMBLED

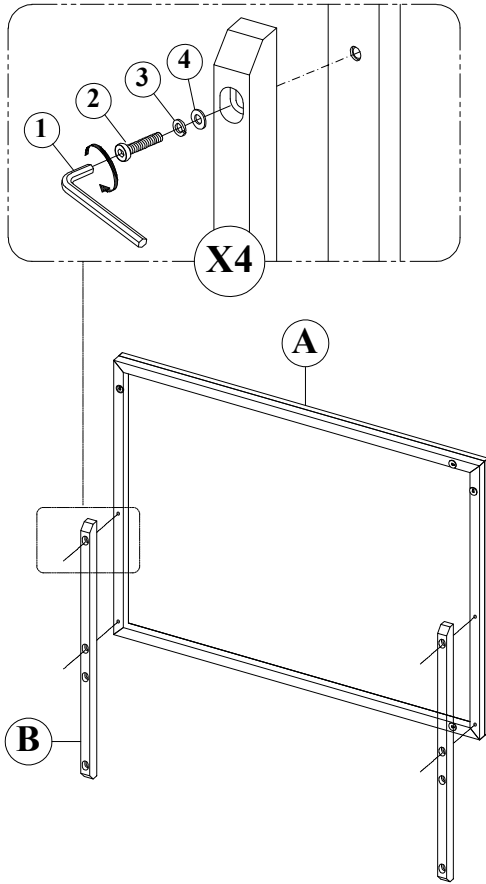


ALEXANDRA DRESSER MIRROR ASSEMBLY INSTRUCTIONS

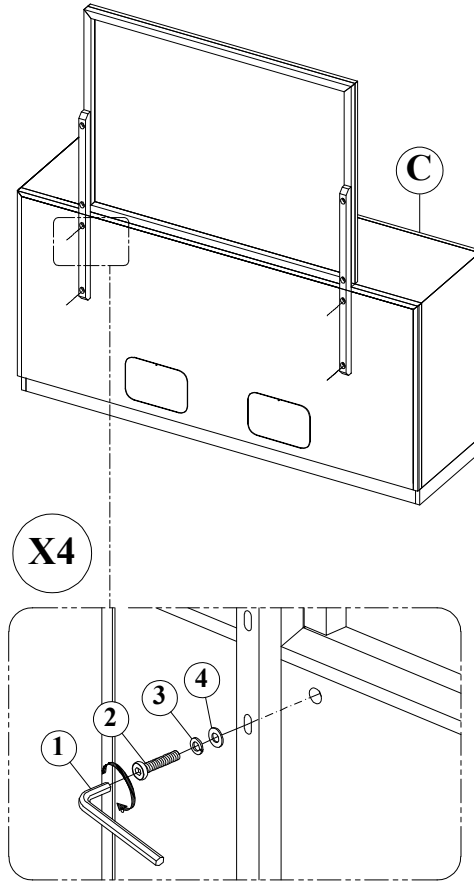


OPTION 1: DRESSER MOUNTING

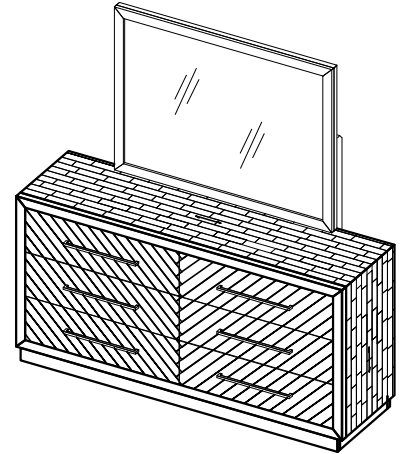
STEP 1:



STEP 2:



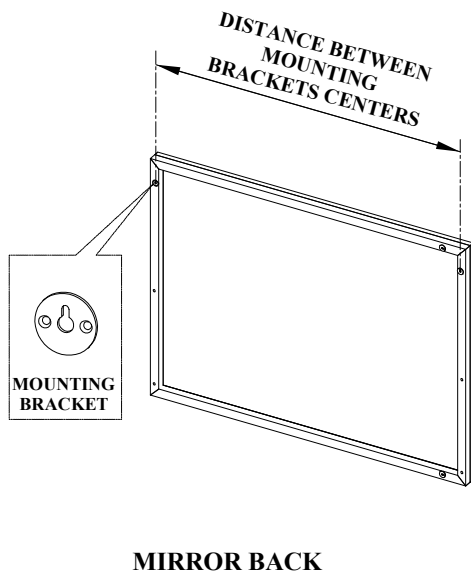
STEP 3:



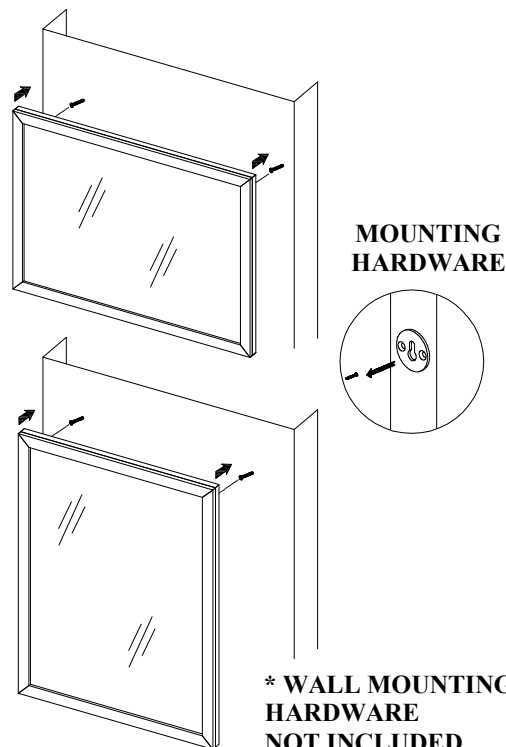
ASSEMBLY COMPLETE

OPTION 2: WALL MOUNTING

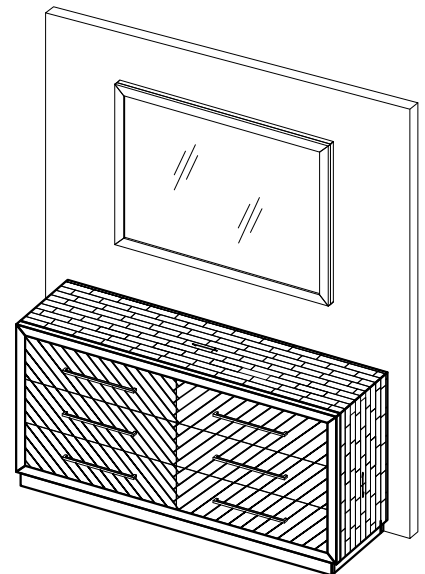
STEP 1:



STEP 2:



STEP 3:



ASSEMBLY COMPLETE