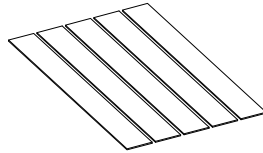


ASSEMBLY INSTRUCTIONS

MODEL : 5260-Q-DECK

Parts supplied for assembly



Decking Board
A X 5 Pieces

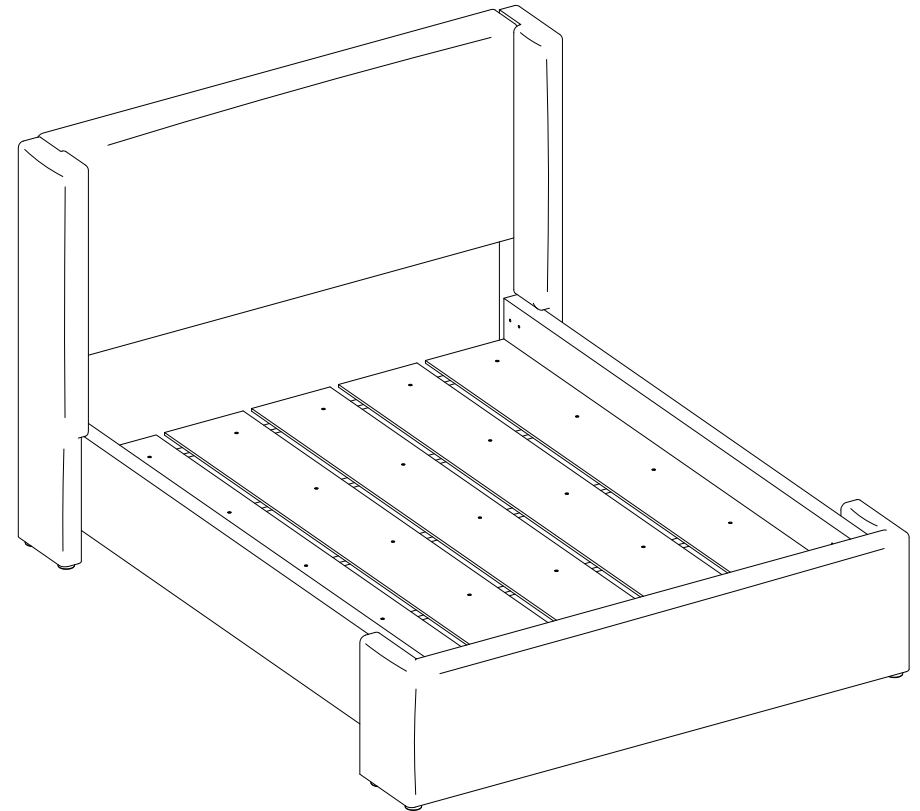
Hardware supplied for assembly



CSK M4 x 20
1 X 25 Pieces



2 - Persons
Recommended



**ASSEMBLY
COMPLETED**

STEP 1

Side Rail

Stopper

Side Rail

