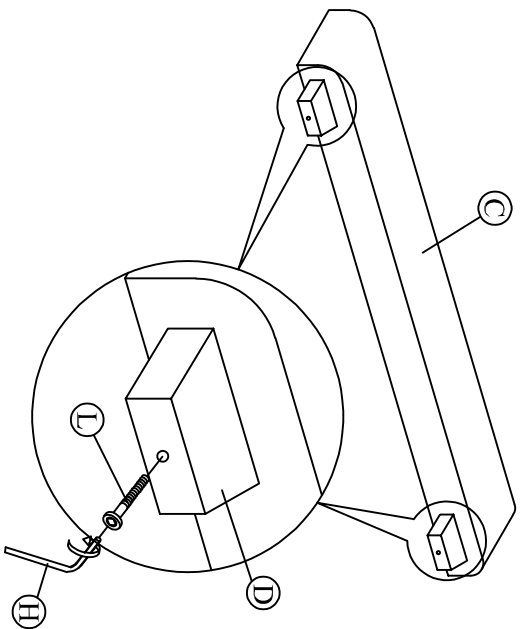


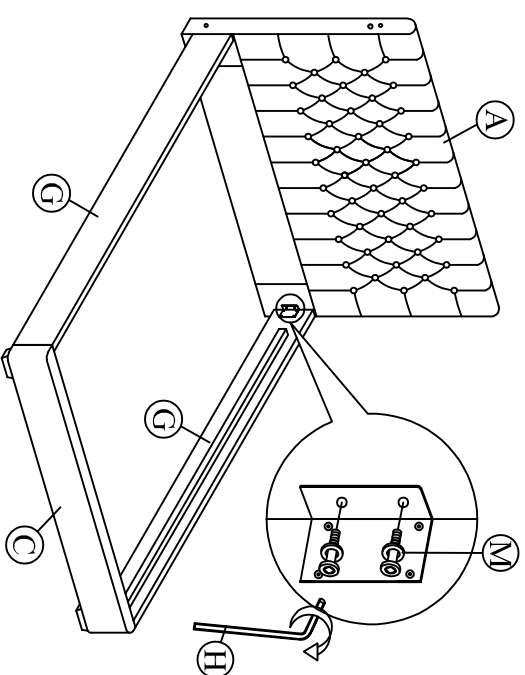
# ASSEMBLY INSTRUCTION

MODEL : #5094 (S')

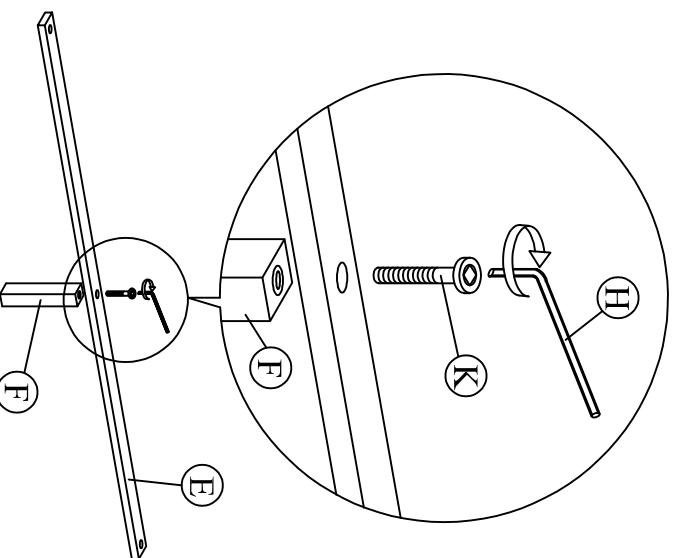
Step 1 : Tighten the legs (D) to footboard (C) as shown.



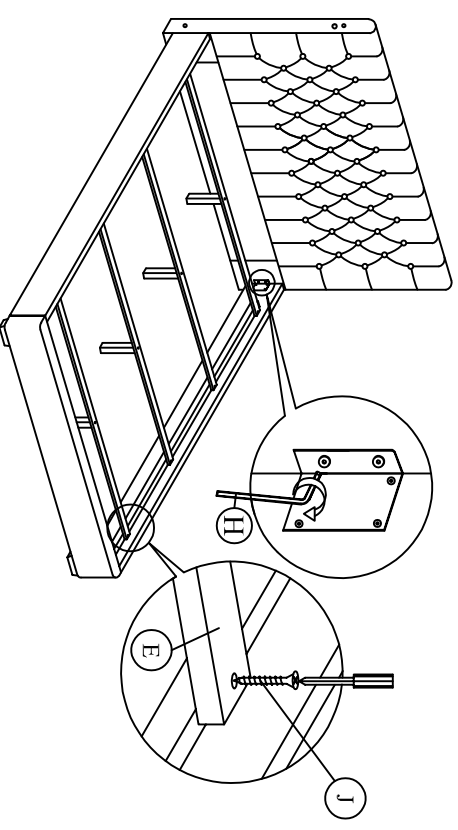
Step 2 : Attach side rail (G) to headboard (A) and footboard (C) by pushing the bracket down to fit it.



Step 3 : Attach the support legs (F) to the slats (E).



Step 4 : Tighten the 4 Corner with Allen Key (H). Install the bed slats to side rail. Tighten the slats with CSK screw. The distance of the slats should be sufficient to obtain desirable bed stability.



**(BOX 1) #5094-Q-HB**  
BOX OF HEADBOARD

A		1 pc
---	--	------

B		2 pcs
---	--	-------

**(BOX 2) #5094-Q-FB**  
BOX OF FOOTBOARD

C		1 pc
---	--	------

D		2 pcs
---	--	-------

E		4 pcs
---	--	-------

F		4 pcs
---	--	-------

**(BOX 3) #5094-KQ-RAIL**  
BOX OF SIDE RAIL

G		2 pcs
---	--	-------

**(BOX 1) #5094-Q-HB**  
HARDWARE LIST

H		1 pc
---	--	------

I		4 pcs
---	--	-------

**(BOX 2) #5094-Q-FB**  
HARDWARE LIST

J		8 pcs
---	--	-------

K		4 pcs
---	--	-------

L		2 pcs
---	--	-------

M		8 pcs
---	--	-------

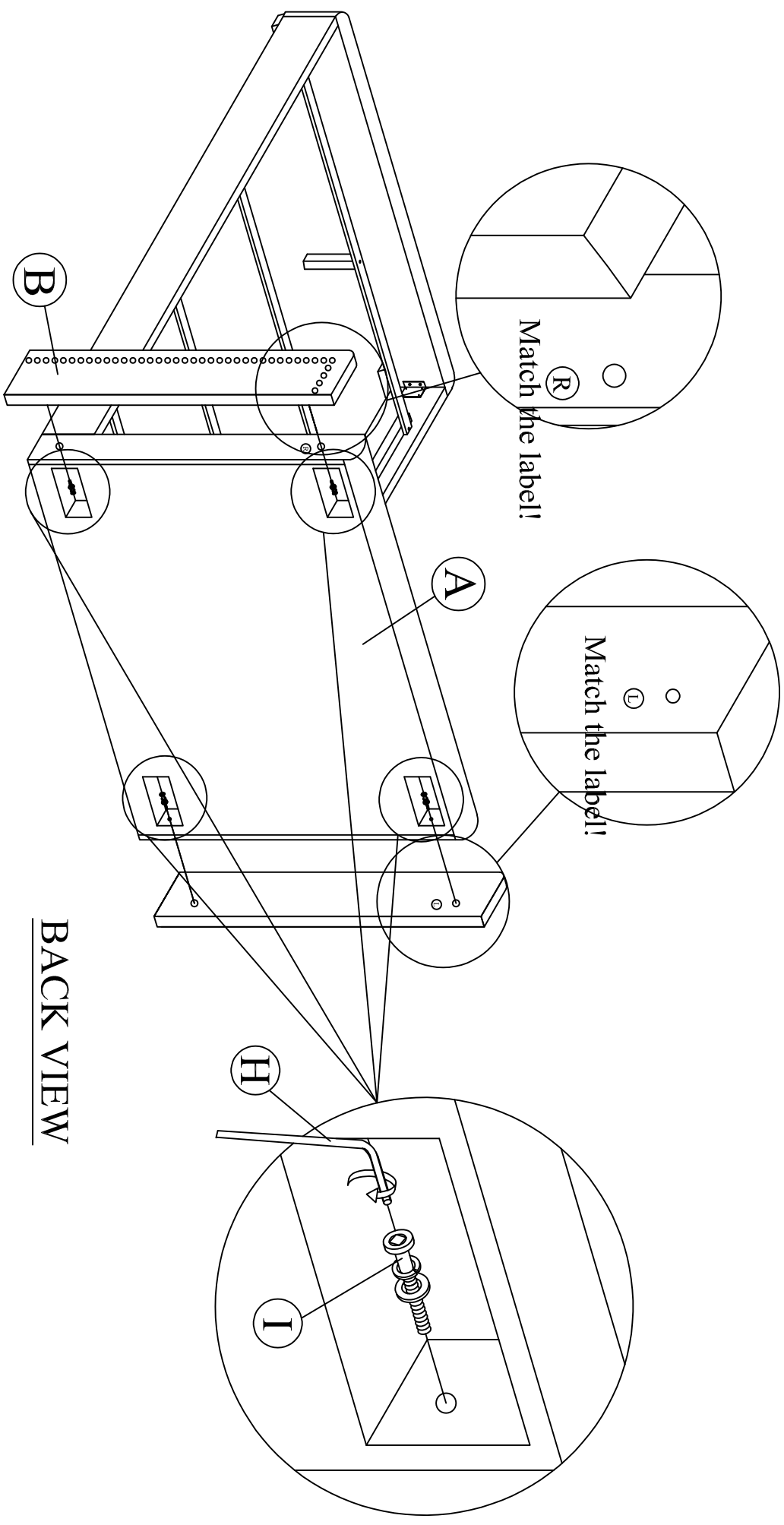


LIVING SPACES

THE HARDWARE IS LOCATED IN THE PACKING ITEMS

PAGE 1 OF 2

Step 5 : Tighten the side wing (B) to headboard (A) as shown.



LIVING SPACES

THE HARDWARE IS LOCATED IN THE PACKING ITEMS

PAGE 2 OF 2