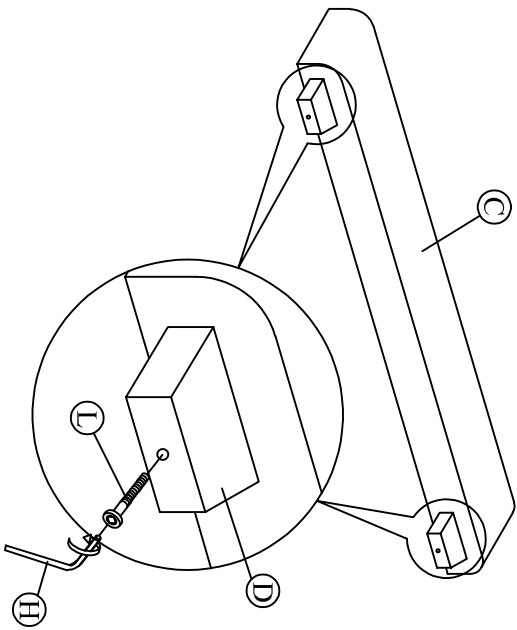


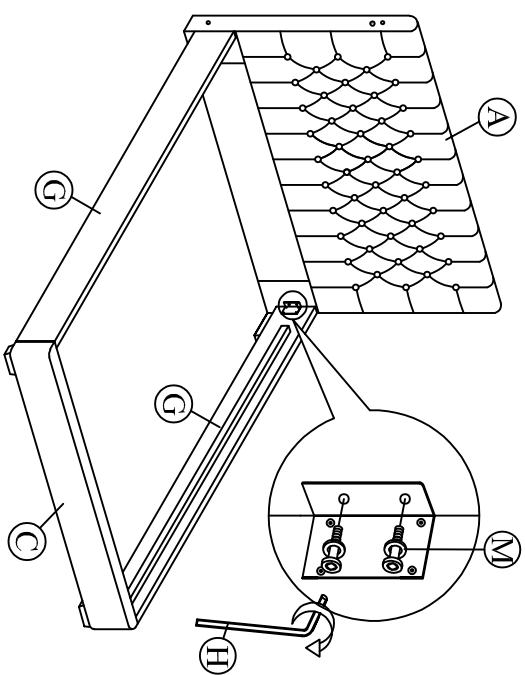
ASSEMBLY INSTRUCTION

MODEL : #5094 (6')

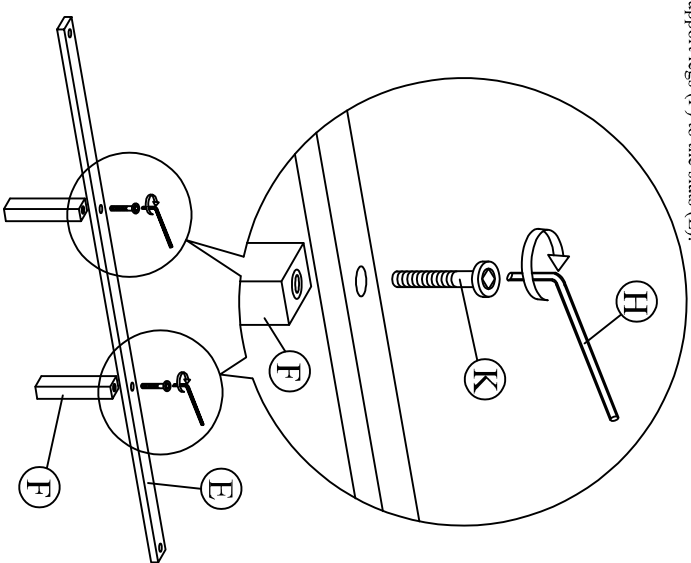
Step 1 : Tighten the legs (D) to footboard (C) as shown.



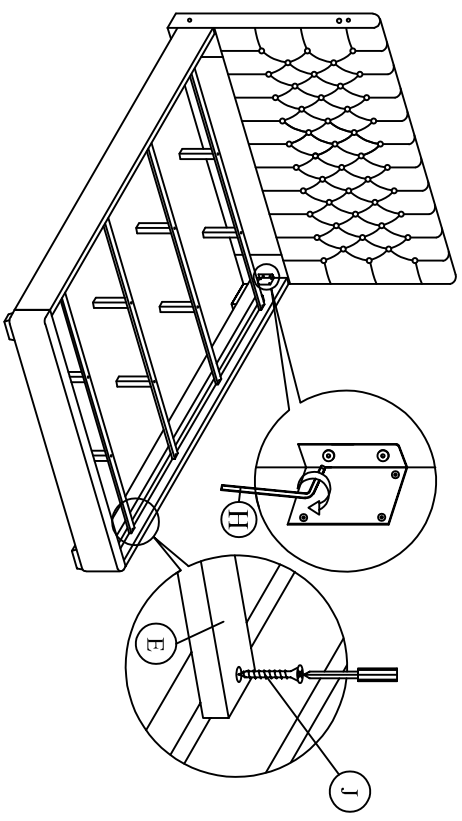
Step 2 : Attach side rail (G) to headboard (A) and footboard (C) by pushing the bracket down to fit it.



Step 3 : Attach the support legs (F) to the slats (E).



Step 4 : Tighten the 4 Corner with Allen Key (H). Install the bed slats to side rail. Tighten the slats with CSK screw. The distance of the slats should be sufficient to obtain desirable bed stability.



(BOX 1) #5094-K-HB
BOX OF HEADBOARD

| | | |
|---|--|------|
| A | | 1 pc |
|---|--|------|

| | | |
|---|--|-------|
| B | | 2 pcs |
|---|--|-------|

(BOX 2) #5094-K-FB
BOX OF FOOTBOARD

| | | |
|---|--|------|
| C | | 1 pc |
|---|--|------|

| | | |
|---|----------------------|-------|
| D | 150 x 65 x 70(H) | 2 pcs |
|---|----------------------|-------|

| | | |
|---|------------|-------|
| E | 1947mm | 4 pcs |
|---|------------|-------|

| | | |
|---|-----------|-------|
| F | 215mm | 8 pcs |
|---|-----------|-------|

(BOX 3) #5094-KQ-RAIL
BOX OF SIDE RAIL

| | | |
|---|--|-------|
| G | | 2 pcs |
|---|--|-------|

(BOX 1) #5094-K-HB
HARDWARE LIST

| | | |
|---|--|------|
| H | | 1 pc |
|---|--|------|

| | | |
|---|----------------------------------|-------|
| I | ICRG M6 X 50 - Spring Washer | 4 pcs |
|---|----------------------------------|-------|

(BOX 2) #5094-K-FB
HARDWARE LIST

| | | |
|---|--|-------|
| J | | 8 pcs |
|---|--|-------|

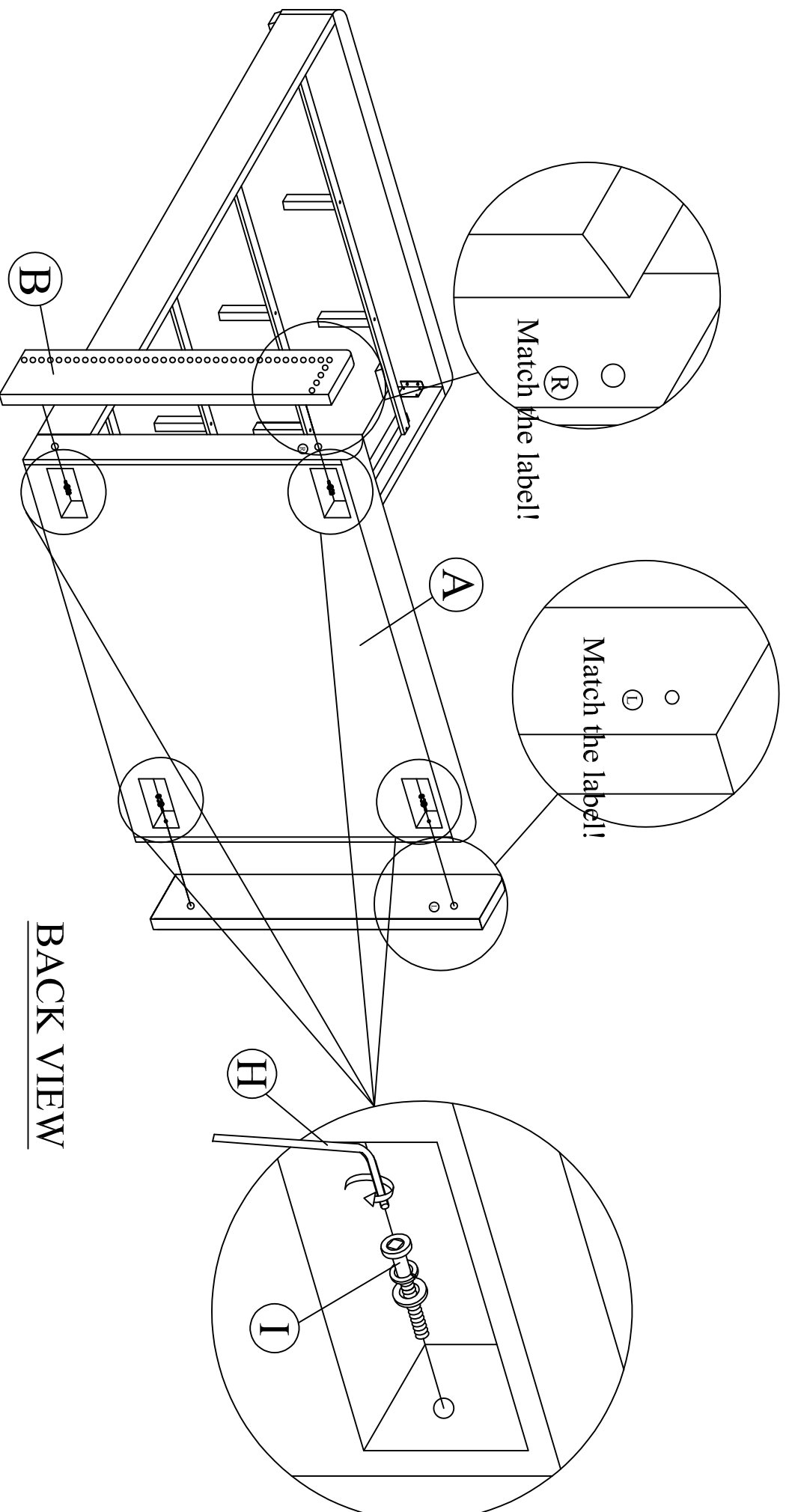
| | | |
|---|--|-------|
| K | | 8 pcs |
|---|--|-------|

| | | |
|---|--|-------|
| L | | 2 pcs |
|---|--|-------|

| | | |
|---|--|-------|
| M | | 8 pcs |
|---|--|-------|



Step 5 : Tighten the side wing (B) to headboard (A) as shown.



BACK VIEW

