



# MARTIN®

## FURNITURE

SET-UP INSTRUCTIONS FOR ITEM

IMPR689 68" CREENZA

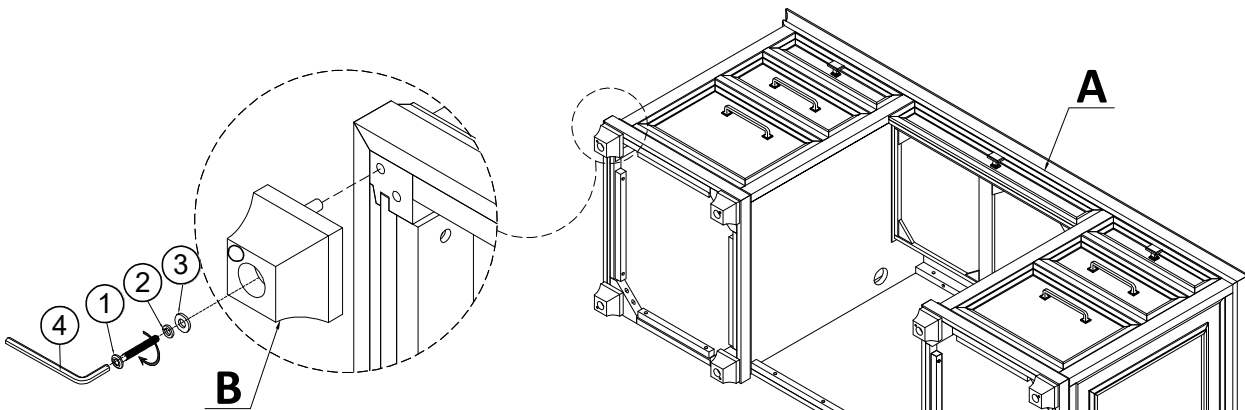
info@martinfurniture.com

| N0: | Parts List   | Q'TY  |
|-----|--|-------|
| A   |  Credenza | 1 Pc  |
| B   |  Foot     | 8 Pcs |

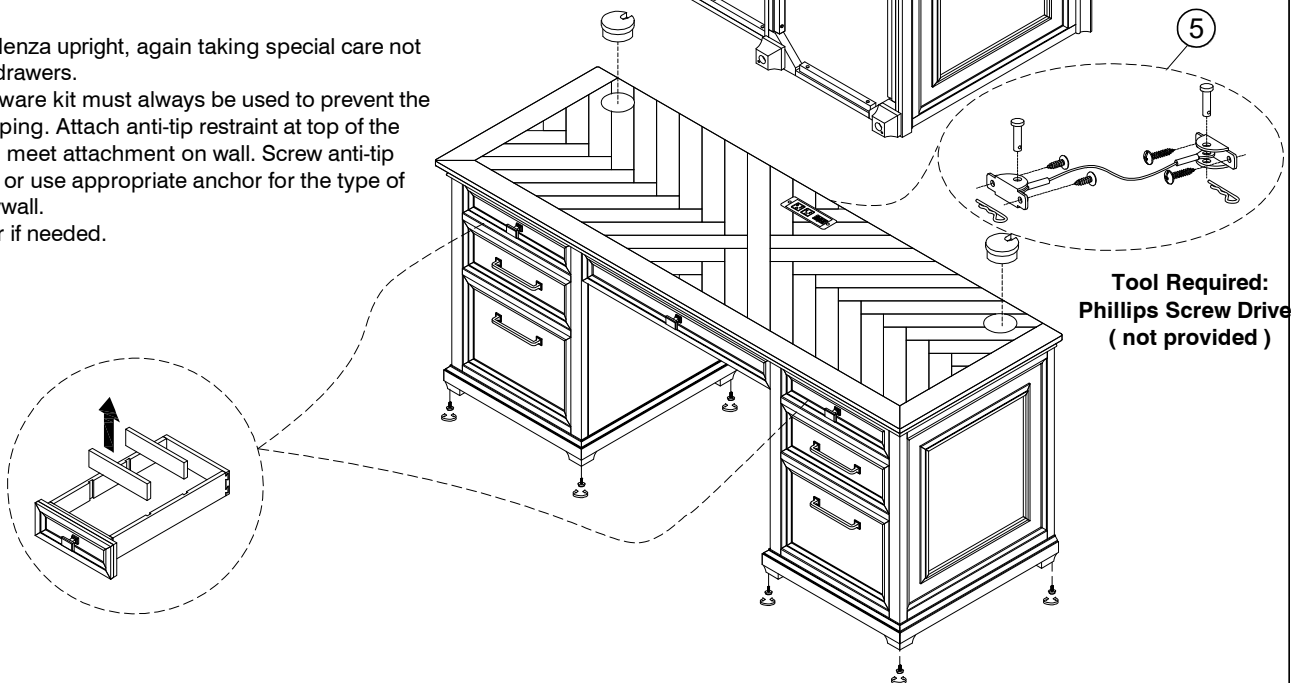
| N0: | Hardware List  | Q'TY  |
|-----|--|-------|
| 1   |  Bolt Ø1/4" * 60 mm       | 8 Pcs |
| 2   |  Spring washer Ø1/4"      | 8 Pcs |
| 3   |  Flat washer Ø1/4"*19*2mm | 8 Pcs |
| 4   |  Allen wrench (4mm)       | 1 Pc  |
| 5   |  Anti-Tip Hardware Kit    | 1 Set |

Caution: Please read all instructions before assembly and check the carton for any parts that may have come loose during shipment. It is recommended to **use two or more people during the assembly process.**

**1**  
Lay credenza on its back panel on a smooth and clean surface as shown. Install foot (B) at each corner of the credenza (A), locate dowels into aligning holes and secure in place using a bolt (1) with spring washer (2) and flat washer (3).



**2**  
Turn the credenza upright, again taking special care not to strain the drawers.  
Anti-tip hardware kit must always be used to prevent the case from tipping. Attach anti-tip restraint at top of the case inline to meet attachment on wall. Screw anti-tip into wall stud or use appropriate anchor for the type of wall if not drywall.  
Adjust leveler if needed.



- Use a soft, clean cloth that will not scratch the surface when dusting.
- Use of furniture polishes are not necessary. Should you choose to use polishes, test in an inconspicuous area first.
- Using solvents of any kind on your furniture may damage your furniture finish.
- Never use water to clean your furniture as it may cause damage to the finish.
- Always use coasters under beverage glasses and flowerpots.
- Liquid spills should be removed immediately. Use a soft, clean cloth, blot the spill gently. Avoid rubbing.
- Direct sunlight may damage wood finishes.
- Extreme temperature and humidity changes can cause warping, shrinking and splitting of wood furniture. It is best to keep furniture in a climate controlled environment.
- Always use protective pads under hot dishes and plates. Heat can cause chemical changes that may create spotting within the furniture finish.
- In the event that your furniture is stained or otherwise damaged during use, we recommend that you call a professional to repair your furniture.