



MARTIN®






FURNITURE

SET-UP INSTRUCTIONS FOR ITEM

IMPR450 LATERAL FILE

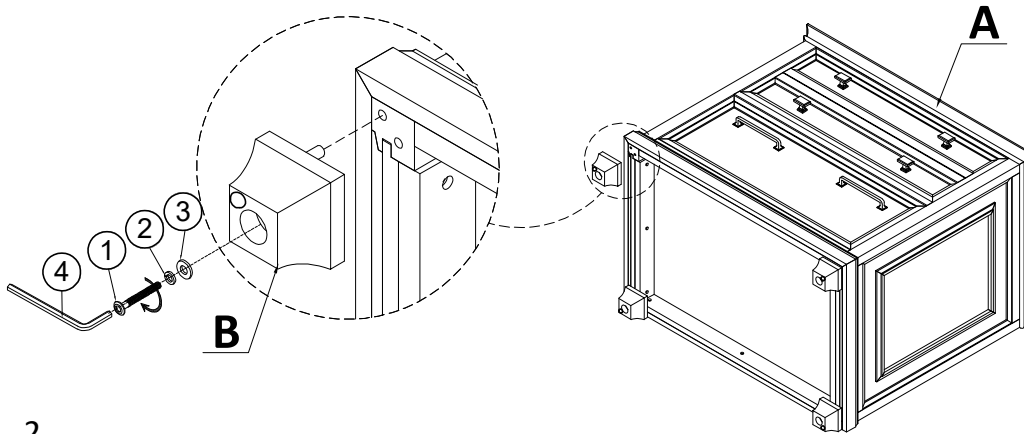
info@martinfurniture.com

N0:	Parts List		Q'TY
A		Lateral file	1 Pc
B		Foot	4 Pcs

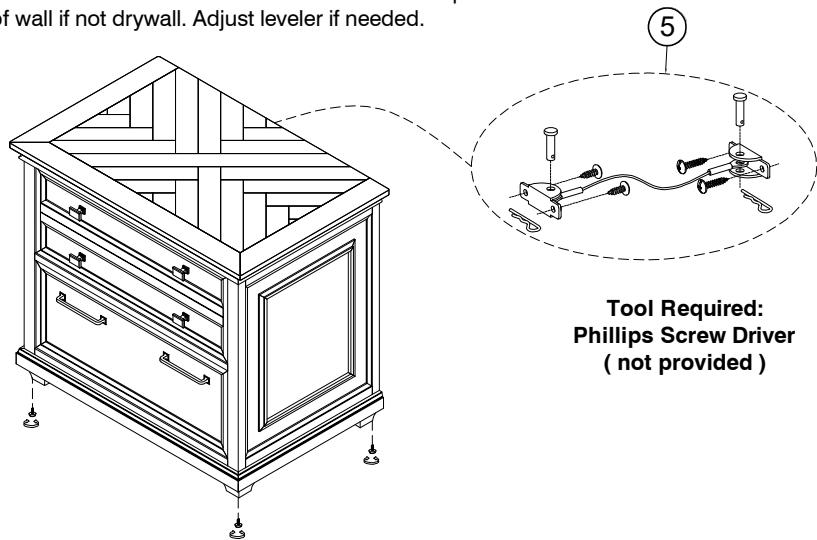
N0:	Hardware List		Q'TY
1		Bolt Ø1/4" * 60 mm	4 Pcs
2		Spring washer Ø1/4"	4 Pcs
3		Flat washer Ø1/4"*19*2mm	4 Pcs
4		Allen wrench (4mm)	1 Pc
5		Anti-Tip Hardware Kit	1 Set

Caution: Please read all instructions before assembly and check the carton for any parts that may have come loose during shipment. It is recommended to **use two or more people during the assembly process.**

1
Lay lateral file on its back panel on a smooth and clean surface as shown. Install foot (B) at each corner of the lateral file (A), locate dowels into aligning holes and secure in place using a bolt (1) with spring washer (2) and flat washer (3).



2
Turn the lateral file upright. Anti-tip hardware kit must always be used to prevent the case from tipping. Attach anti-tip restraint at top of the case inline to meet attachment on wall. Screw anti-tip into wall stud or use appropriate anchor for the type of wall if not drywall. Adjust leveler if needed.



Tool Required:
Phillips Screw Driver
(not provided)

- Use a soft, clean cloth that will not scratch the surface when dusting.
- Use of furniture polishes are not necessary. Should you choose to use polishes, test in an inconspicuous area first.
- Using solvents of any kind on your furniture may damage your furniture finish.
- Never use water to clean your furniture as it may cause damage to the finish.
- Always use coasters under beverage glasses and flowerpots.
- Liquid spills should be removed immediately. Use a soft, clean cloth, blot the spill gently. Avoid rubbing.
- Direct sunlight may damage wood finishes.
- Extreme temperature and humidity changes can cause warping, shrinking and splitting of wood furniture. It is best to keep furniture in a climate controlled environment.
- Always use protective pads under hot dishes and plates. Heat can cause chemical changes that may create spotting within the furniture finish.
- In the event that your furniture is stained or otherwise damaged during use, we recommend that you call a professional to repair your furniture.