




MARTIN®

FURNITURE

SET-UP INSTRUCTIONS FOR ITEM

IMPR386R OPEN L DESK AND IMPR386R-R RETURN FOR OPEN L DESK

info@martinfurniture.com

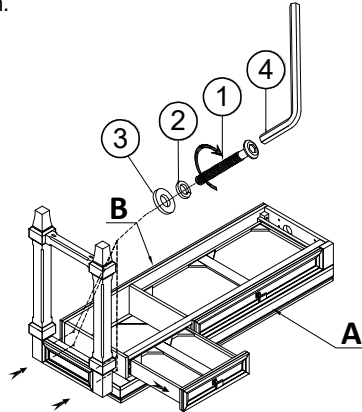
Nº:	Parts List IMPR386R-R	Q'TY
A	 Return top	1 Pc
B	 Return leg frame	1 Pc
C	 Open L Desk	1 Pc

Nº:	Hardware List IMPR386R-R	Q'TY
1	 Bolt Ø1/4" * 40 mm	7 Pcs
2	 Spring washer Ø1/4"	7 Pcs
3	 Flat washer Ø1/4"*19*2mm	7 Pcs
4	 Allen wrench (4mm)	1 Pc
5	 Wood dowel Ø8 * 30 mm	2 Pcs

Caution: Please read all instructions before assembly and check the carton for any parts that may have come loose during shipment. It is recommended to **use two or more people during the assembly process.**

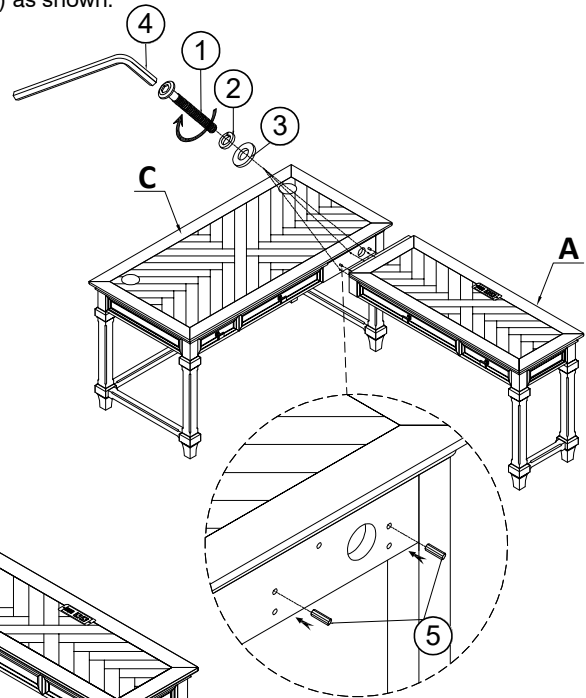
1

Turn the Return top (A) upside down on a smooth and clean surface, take special care so that drawers do not fall and become damaged. Pull the side drawer out as far as the glides will permit, through the interior panel attach the return leg frame (B) to the left side of the return top (A) using bolts (1), spring washer (2) and flat washer (3) as shown.



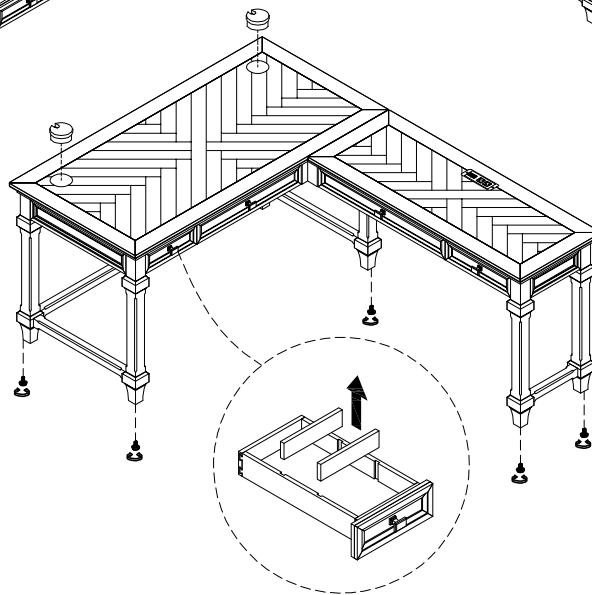
2

Turn the assembled desk upright, again taking special care not to strain the drawers. Connect the return to open L desk (C). Locate dowels into aligning holes and secure by using bolts (1), spring washer (2) and flat washer (3) as shown.



3

Adjust leveler if needed.



CARING FOR YOUR FURNITURE

- Use a soft, clean cloth that will not scratch the surface when dusting.
- Use of furniture polishes are not necessary. Should you choose to use polishes, test in an inconspicuous area first.
- Using solvents of any kind on your furniture may damage your furniture finish.
- Never use water to clean your furniture as it may cause damage to the finish.
- Always use coasters under beverage glasses and flowerpots.
- Liquid spills should be removed immediately. Use a soft, clean cloth, blot the spill gently. Avoid rubbing.
- Direct sunlight may damage wood finishes.
- Extreme temperature and humidity changes can cause warping, shrinking and splitting of wood furniture. It is best to keep furniture in a climate controlled environment.
- Always use protective pads under hot dishes and plates. Heat can cause chemical changes that may create spotting within the furniture finish.
- In the event that your furniture is stained or otherwise damaged during use, we recommend that you call a professional to repair your furniture.