



# MARTIN®

## FURNITURE

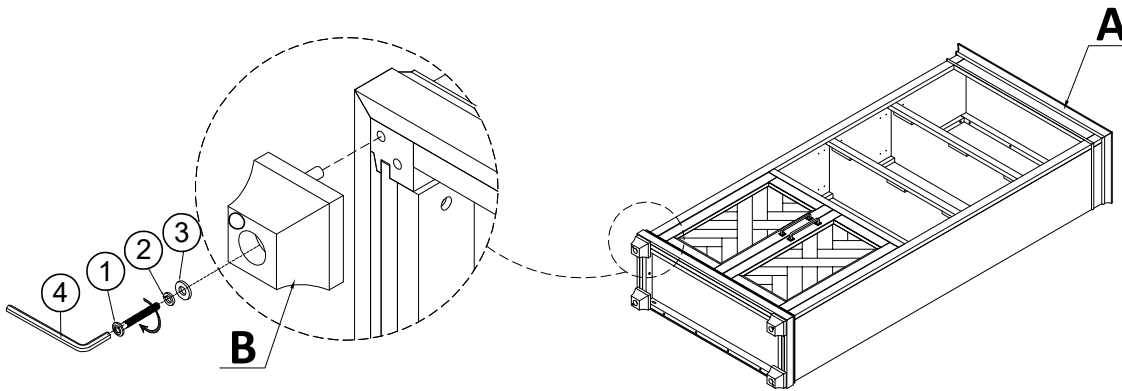
### SET-UP INSTRUCTIONS FOR ITEM IMPR3474D LOWER DOOR BOOKCASE info@martinfurniture.com

N0:	Parts List	Q'TY
A	 <b>Bookcase</b>	1 Pc
B	 <b>Foot</b>	4 Pcs

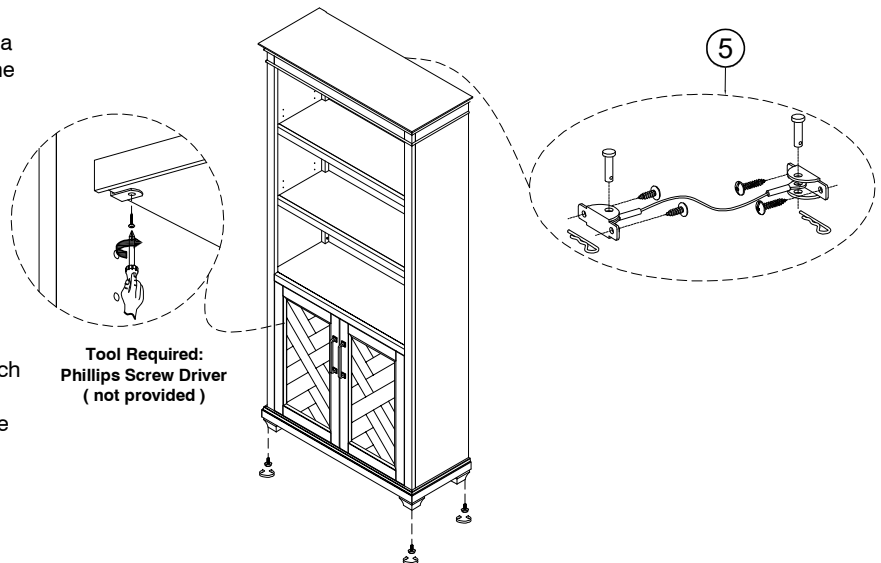
N0:	Hardware List	Q'TY
1	 Bolt Ø1/4" * 60 mm	4 Pcs
2	 Spring washer Ø1/4"	4 Pcs
3	 Flat washer Ø1/4"*19*2mm	4 Pcs
4	 Allen wrench (4mm)	1 Pc
5	 Anti-Tip Hardware Kit	1 Set

Caution: Please read all instructions before assembly and check the carton for any parts that may have come loose during shipment. It is recommended to **use two or more people during the assembly process.**

**1**  
Lay bookcase on its back panel on a smooth and clean surface as shown. Install foot (B) at each corner of the bookcase (A), locate dowels into aligning holes and secure in place using a bolt (1) with spring washer (2) and flat washer (3).



**2**  
Shelf are secured in place with wood screws through a metal support on the bottom of each shelf. Remove the screw to adjust the shelf to desired height. Tighten screws before use.



**3**  
Turn the bookcase upright. Anti-tip hardware kit must always be used to prevent the case from tipping. Attach anti-tip restraint at top of the case inline to meet attachment on wall. Screw anti-tip into wall stud or use appropriate anchor for the type of wall if not drywall. Adjust leveler if needed.

- Use a soft, clean cloth that will not scratch the surface when dusting.
- Use of furniture polishes are not necessary. Should you choose to use polishes, test in an inconspicuous area first.
- Using solvents of any kind on your furniture may damage your furniture finish.
- Never use water to clean your furniture as it may cause damage to the finish.
- Always use coasters under beverage glasses and flowerpots.
- Liquid spills should be removed immediately. Use a soft, clean cloth, blot the spill gently. Avoid rubbing.
- Direct sunlight may damage wood finishes.
- Extreme temperature and humidity changes can cause warping, shrinking and splitting of wood furniture. It is best to keep furniture in a climate controlled environment.
- Always use protective pads under hot dishes and plates. Heat can cause chemical changes that may create spotting within the furniture finish.
- In the event that your furniture is stained or otherwise damaged during use, we recommend that you call a professional to repair your furniture.