

ASSEMBLY INSTRUCTIONS



aspenhome®

Distributed by Furniture Values International, LLC

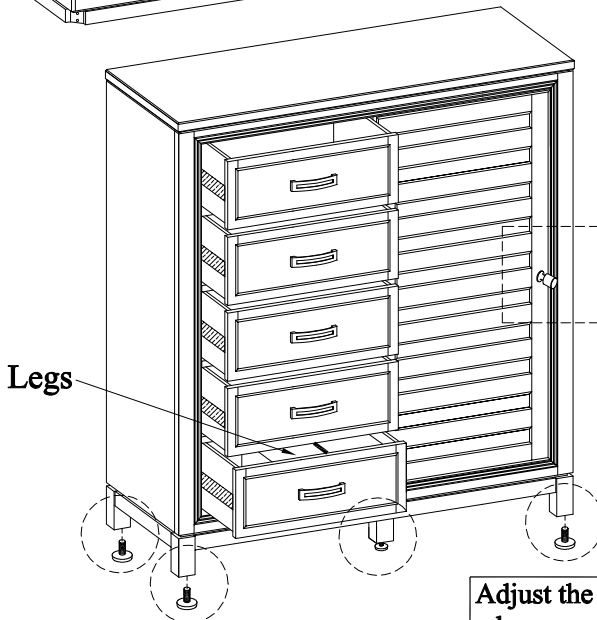
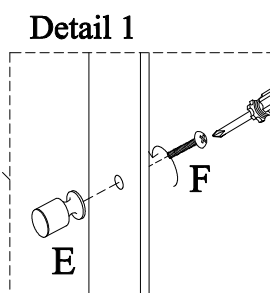
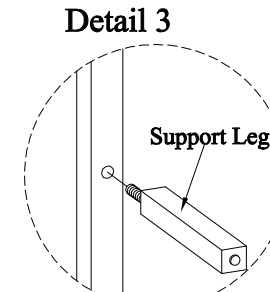
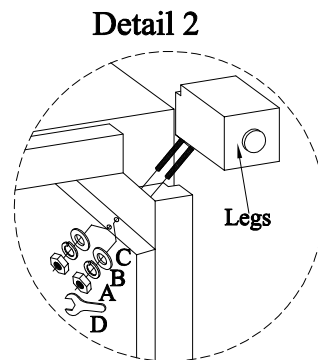
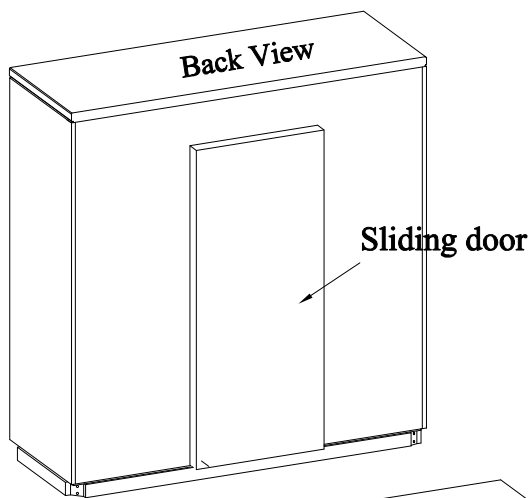


ITEM NO: I32-457 Sliding Door Chest

HARDWARE LIST			COMPONENT LIST	
A	Nut (Ø5/16")	8 Pcs	Legs	4 Pcs
B	Lock Washer (Ø5/16")	8 Pcs	Support Leg	1 Pcs
C	Flat Washer (Ø5/16"*3/4")	8 Pcs	Sliding Door	1 Pcs
D	Hex Wrench	1 Pcs		
E	Knob	1 Pcs		
F	Bolt (Ø5/32"* 1")	1 Pcs		



You may need a phillips screwdriver (not included) to install the knob.



ASSEMBLY STEP:

1. Take off the slide door from the back of case and install the knob to the door. See detail 1.
2. Put the case backside down on a soft, clean surface, assemble the legs to the bottom of case. See detail 2. Assemble support leg to the bottom of case. See detail 3.
3. Turn the unit to upright position.
4. Pick up the unit when moving it or installing & removing the legs. Make sure do not slide the unit on carpet or on tile, or the legs will be stressed and broken loose.

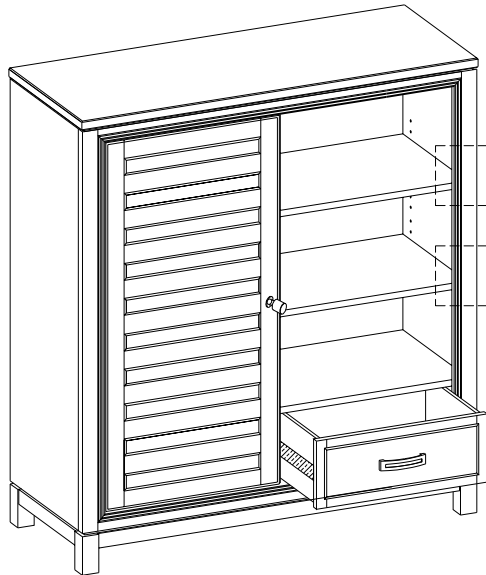
ASSEMBLY INSTRUCTIONS



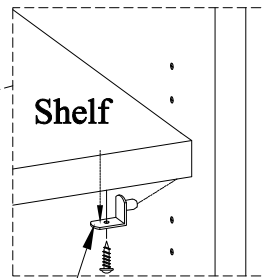
aspenhome®

Distributed by Furniture Values International, LLC

ITEM NO: I32-457 Sliding Door Chest

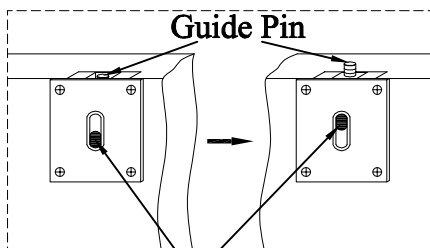


Detail 3



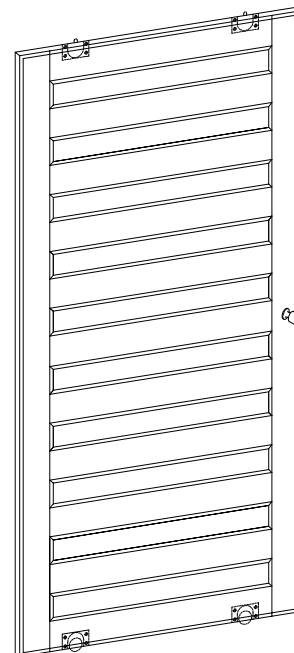
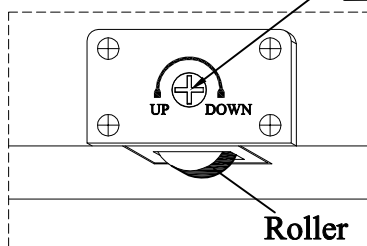
When you prefer to adjust the location of shelf, take off screws and reinsert the shelf brackets into the holes. Then place the shelf on and re-secure it.

Detail 4



Release Button

Adjust here to adjust the roller up or down.



Install the door (if necessary):

Push the guide pins down so they are inside the door. Place the roller on the metal track so the door rolls smoothly. Place the top of the door underneath the track so when you push the release button (Detail 4) the pins go up in to the track.

Remove the door (if necessary):

Push the guide pins down so they are inside the door, and take the door off.