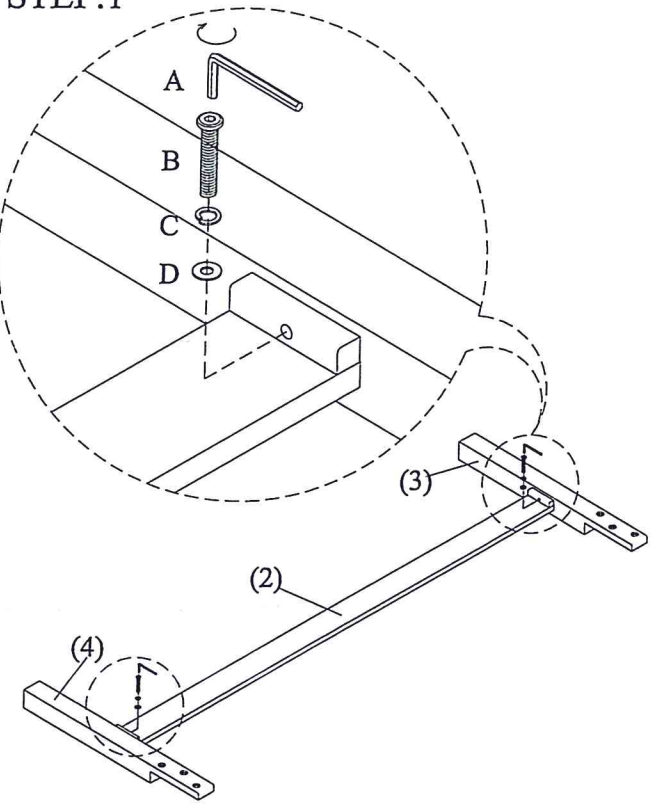


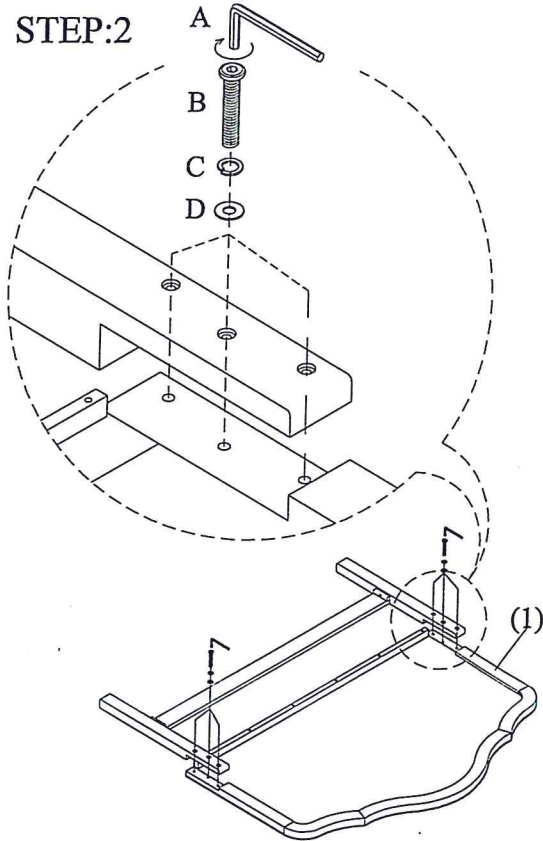
PART LIST				HARD WARE LIST			
PARTS	DESCRIPTION	SKETCH	Q"TY	PARTS	DESCRIPTION	SKETCH	Q"TY
(1)	HEADBOARD		1PC	A	ALLEN KEY		1PC
(2)	BOTTOM RAIL		1PC	B	JCBC BOLT Ø5/16"×38mm		8PCS
(3)	K/D LEG(LEFT)		1PC	C	SPRING WASHER Ø5/16"Ø12mm		8PCS
(4)	K/D LEG(RIGHT)		1PC	D	FLAT WASHER Ø5/16"Ø19mm		8PCS

PART LIST				HARD WARE LIST			
PARTS	DESCRIPTION	SKETCH	Q"TY	PARTS	DESCRIPTION	SKETCH	Q"TY
(5)	FOOTBOARD		1PC	E	SCREWS Ø8*Ø4*L25mm		10PCS
(6)	SLATS		5PCS				
(7)	CENTER SUPPORT		10PCS				
(8)	SIDE RAIL		2PCS				
(9)	K/D LEG		2PCS				

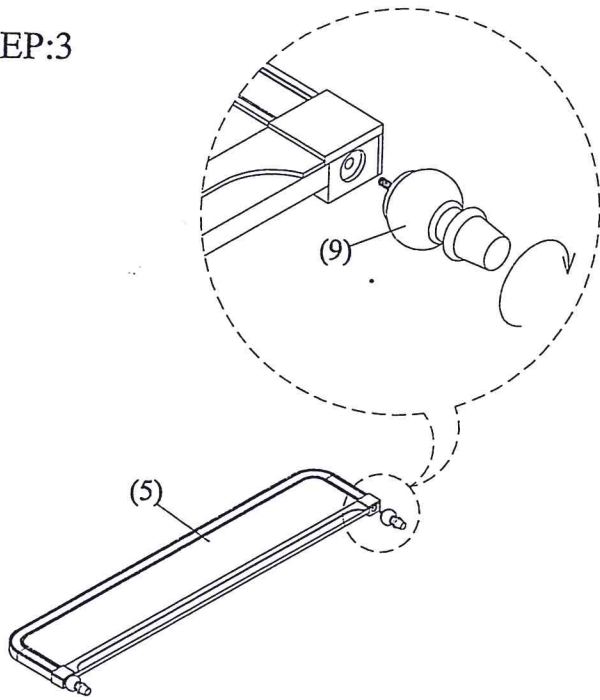
STEP:1



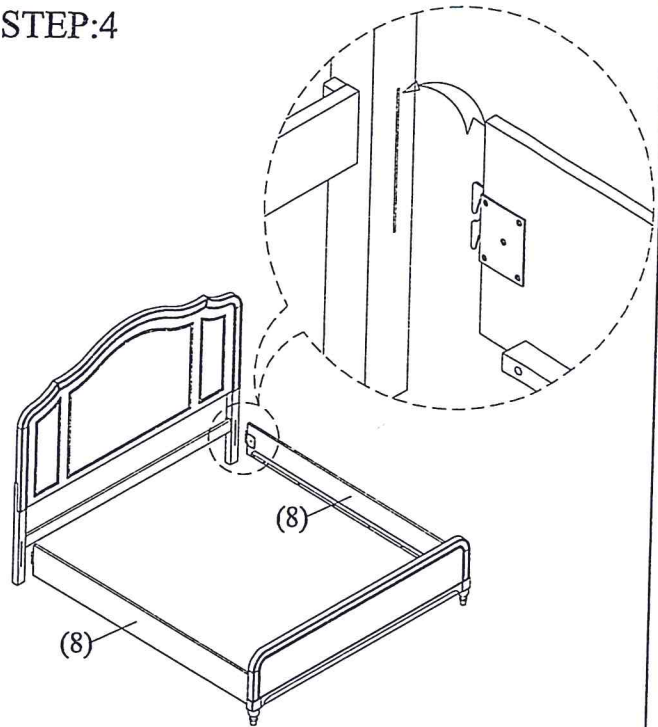
STEP:2



STEP:3



STEP:4



STEP:5

