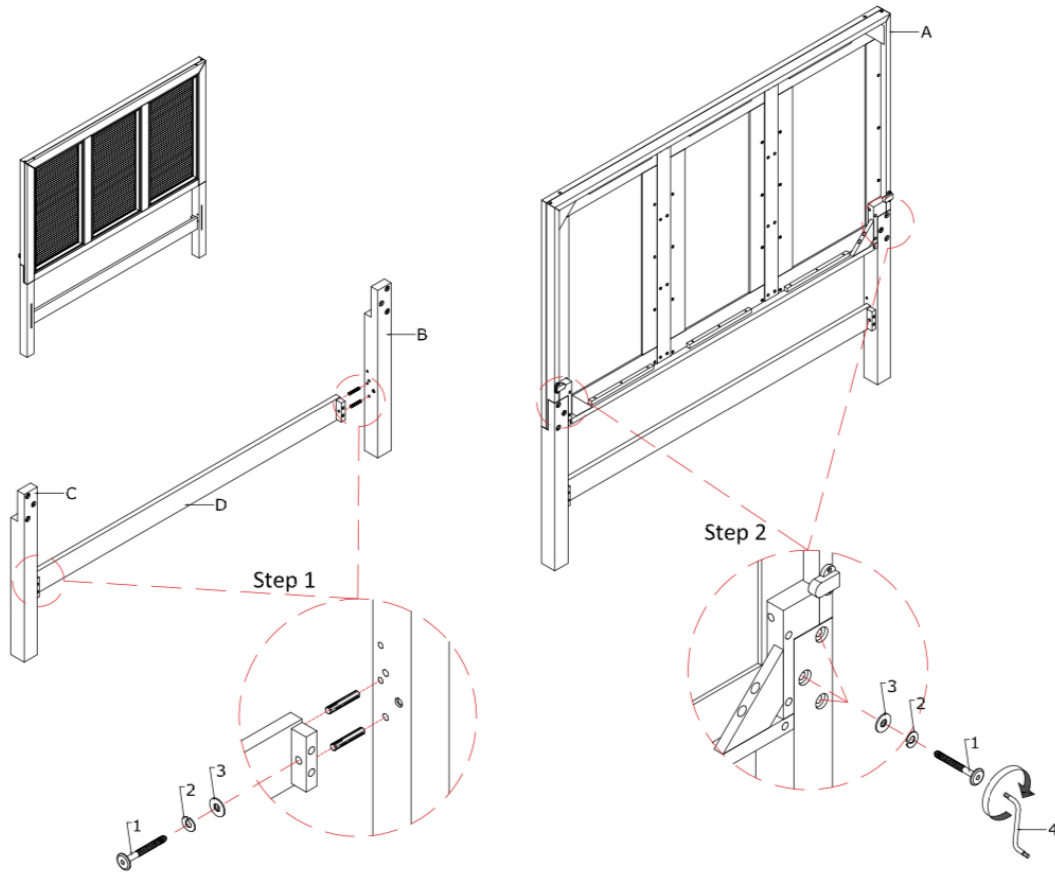






Assembly Instructions

* ZBSN-7001 : Branson Queen Headboard



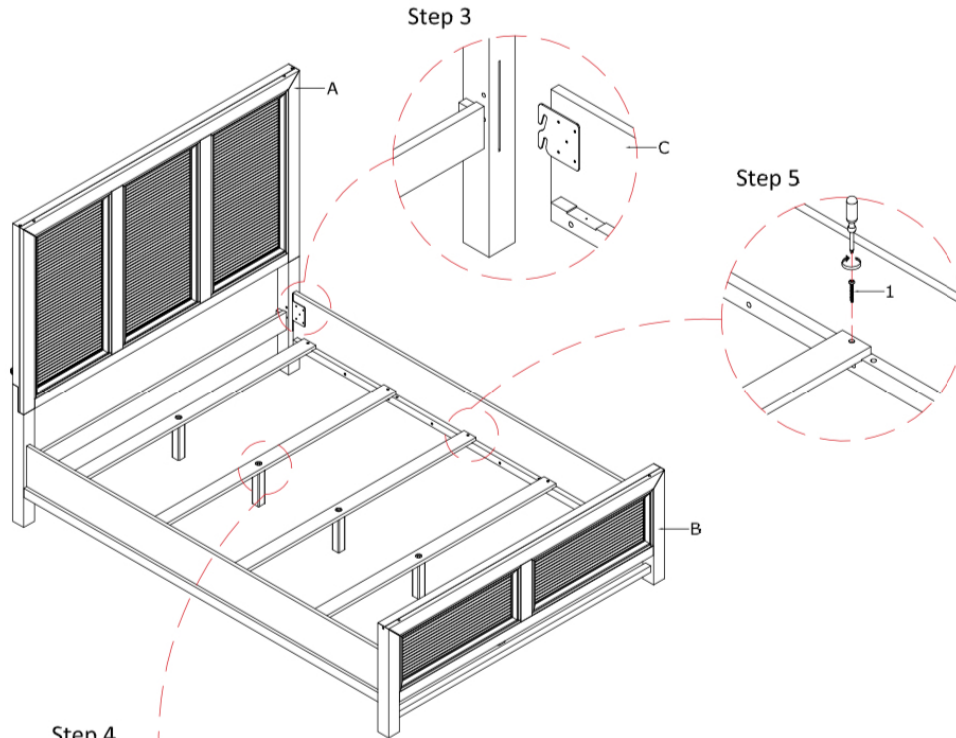
PART#	DESCRIPTION	QTY
1	 \varnothing 1/4"x50mm Bolt	8 Pcs
2	 \varnothing 1/4" Lock Washer	8 Pcs
3	 \varnothing 1/4" Flat Washer	8 Pcs
4	 4mm Allen Key	1 Pc
5	 \varnothing 7.8x28mm Dowel	4 Pcs

NO	PART LIST	QTY
A	Headboard 	1 Pc
B	Left Legs 	1 Pc
C	Right Legs 	1 Pc
D	Stretcher 	1 Pc

1. Find all the parts and hardware inside the box first and check with the parts list.
2. Attach the Left leg and Right leg (B,C) and the Stretcher (D). (See Step 1) using bolt (1), lock washer (2), flat washer (3). Tighten them up with an allen wrench (4)
3. Attach headboard (See Step 2) using bolt (1), lock washer (2), flat washer (3). Tighten them up with an allen wrench (4).

Assembly Instructions

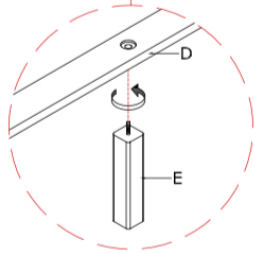
- * ZBSN-7001 : Branson Queen Headboard
- * ZBSN-7002 : Branson Queen Footboard
- * ZBSN-7003 : Branson Queen/King Rails









Step 3

Step 5

Step 4



NO	PART LIST	QTY
A	Headboard 	1 Pc
B	Footboard 	1 Pc
C	Rail 	2 Pcs
D	Slat 	5 Pcs
E	Slat Support Leg 	5 Pcs

PART#	DESCRIPTION	QTY
1	 Ø 7x1-1/4" Srew	10 Pcs

1. Find all the parts and hardware inside the box first and check with the parts list.
2. Attach the headboard and footboard (A,B) and rail panel (C). (See Step 3).
3. Attach the slat (D) to slat support leg (E). (See Step 4)/ (See Step 5) using screw (1)

Thanks for choosing Legends Furniture!

2 of 2

Regards,

Gary

Sent from my iPhone