




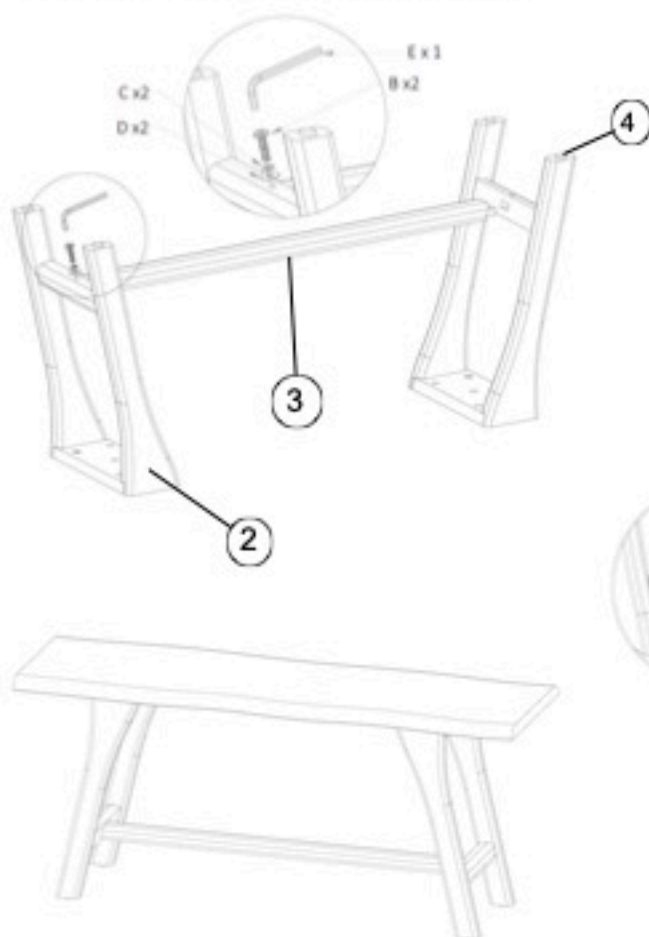


Thank you for purchasing this quality product. Be sure to check all packing material carefully for small parts that may have come loose inside the carton during shipment .

Table Components				Hardware Kit - 2321P01			
No.	Code	Description	QTY	No		Description	QTY
1		TABLE TOP	1 PC	A		BOLT M8X40 MM	10 PCS
2		LEG ASSEMBLY	2 PCS	B		BOLT M6X30 MM	2 PCS
3		STRETCHER	1 PC	C		LOCK WASHER	12 PCS
4	2321P01L	LEVELER	4 PCS	D		FLAT WASHER	12 PCS
				E		ALLEN WRENCH	1 PC

STEP 1

ATTACH STRETCHER TO THE LEG ASSEMBLY WITH SMALL BOLT (B), LOCK WASHER, AND FLAT WASHER HAND TIGHTEN USING THE ALLEN WRENCH.



STEP 2

PLACE THE TABLE TOP ON A CLEAN PADDED SURFACE TO PREVENT SCRATCHES. ATTACH THE BASE UNIT TO THE TABLE TOP WITH THE LONG BOLT (A), LOCK WASHER AND FLAT WASHER. HAND TIGHTEN USING THE ALLEN WRENCH.

