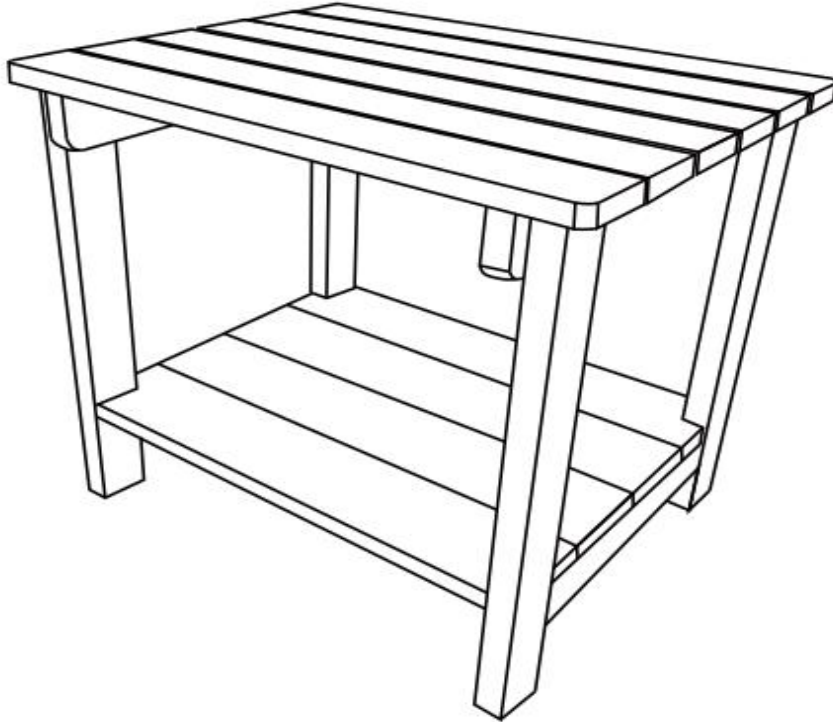


Assembly Instructions

Poly Plastic Side Table



CAUTION: This Table is NOT a TOY.

Keep your child / children at bay during the assembly process.

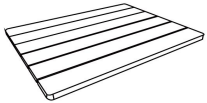

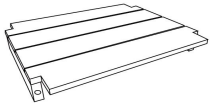

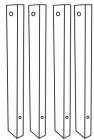


For moving the Table and to prevent damages, two adults are needed to execute this action.

Please keep this instruction manual for future reference.

Side Table Installation and Maintenance

1. Do not fully tighten all bolts until all parts are in place. Failure to follow these instructions may cause the bolts to misalign during assembly
2. Please keep away from extreme heat and strong oxidizing agents
3. Under the sun, there is no need to cover the table with an airtight dust cover, as the high temperature will deform the material
4. In an outdoor environment, the table does not require any protection, No need to paint or stain, and only need to wash with soap, water and soft bristle brush or sanding sponge
5. Children should not climb or jump on the table

Pre-Assembly

Part list								
Label	Description		Qty		Label	Description		Qty
①		Table top	1 pc		A		Bolt M6*65MM	4 pcs
②		Shelf board	1 pc		B		Bolt M6*55MM	4 pcs
③		Table legs	4 pcs		C		M6 Self-locking Nut	4 pcs
					D		Spanner	1 pc



- Read instructions, cover to cover-



- Have 2 adults on hand for assembly-



- Do not assemble on flooring or carpet-



- Assemble on a clean non-marring surface (packing foam)-

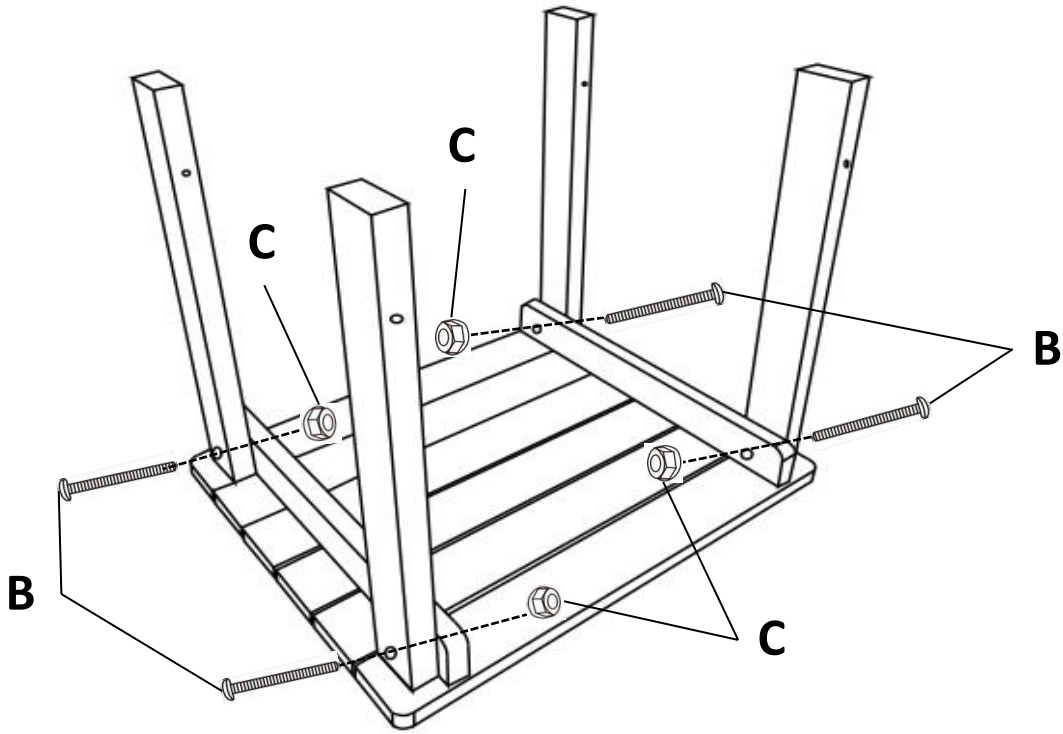


- Save all packaging until finished-

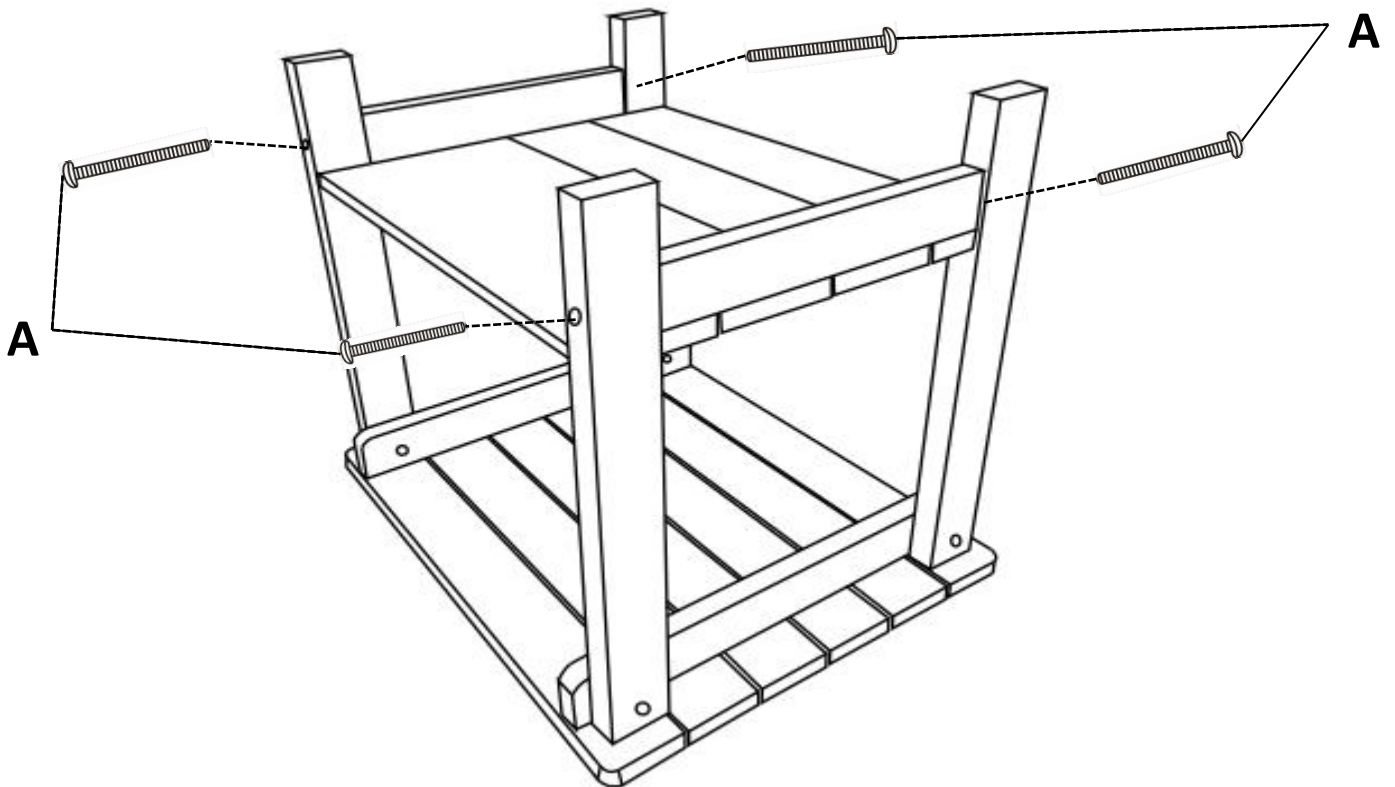
Before assembling, please check if you have all the parts on the assembly instructions.

Assembly Steps

Step 1



Step 2



Step 3

