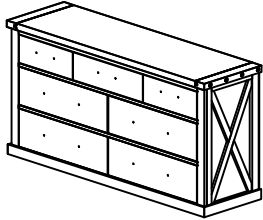


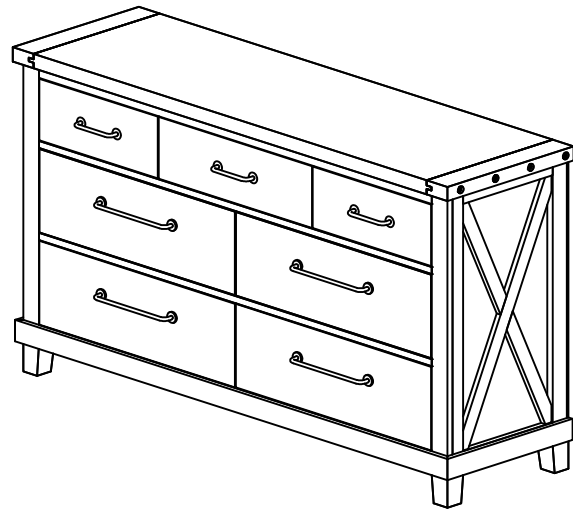
YOSEMITE DRESSER ASSEMBLY INSTRUCTIONS



A. DRESSER 1PC



DRESSER ASSEMBLED





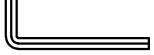




B. LEGS 4PCS



C. SUPPORT LEG 1PC

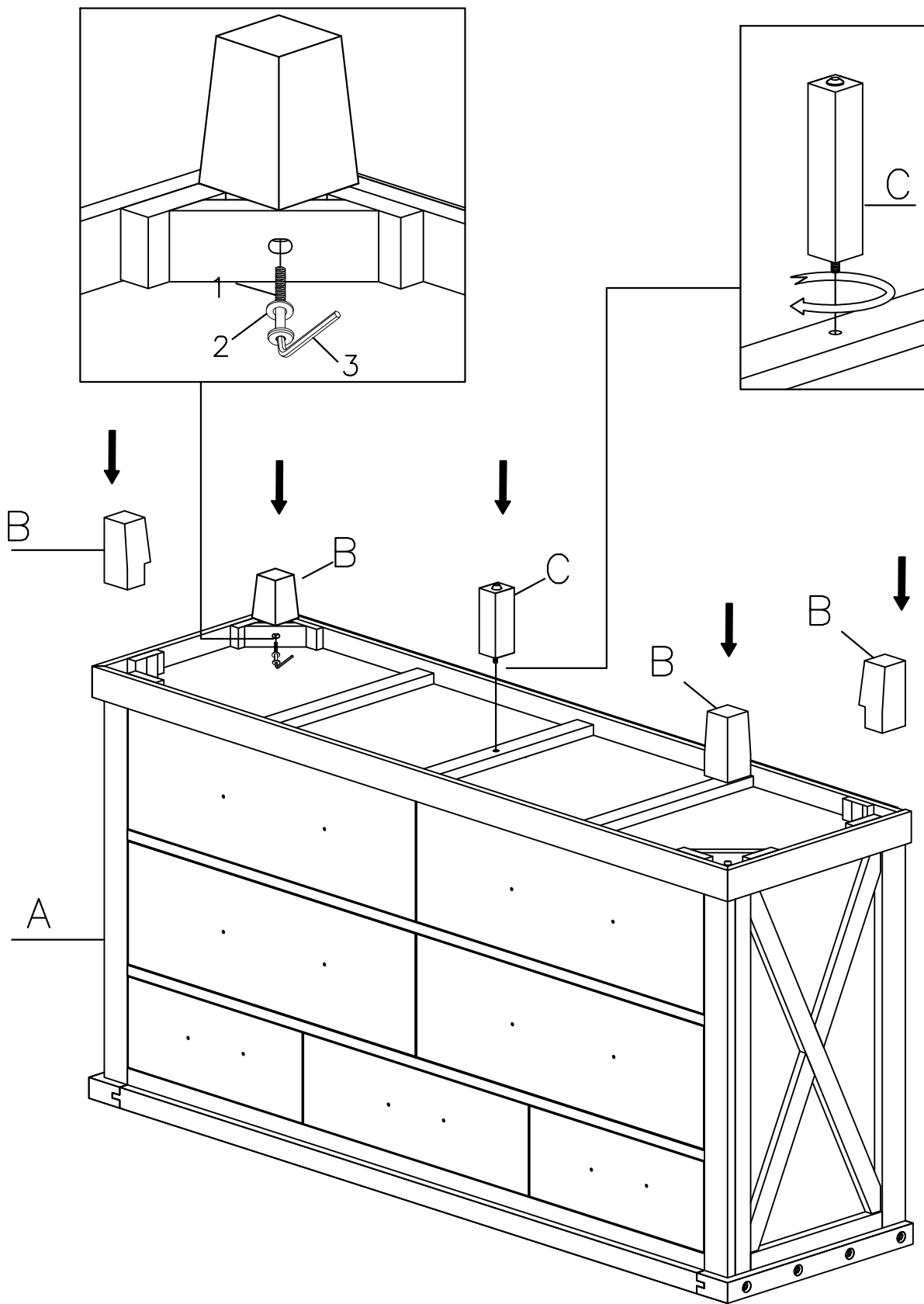


HARDWARE ARE PACKED IN BOX

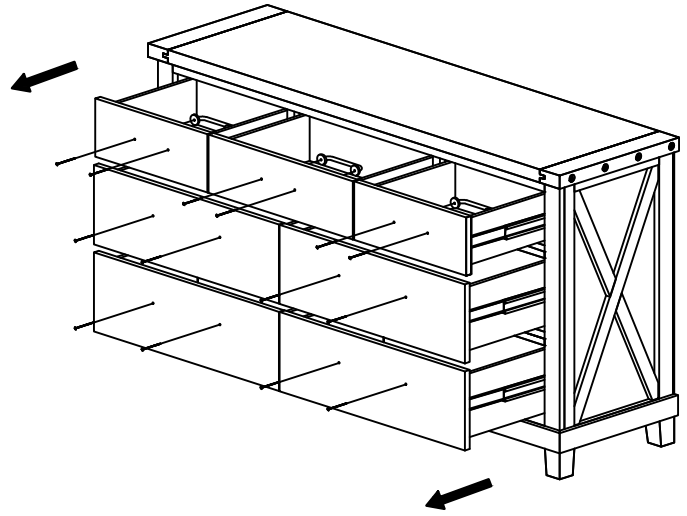
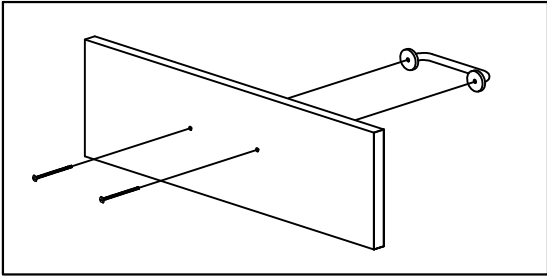
1	ALLEN BOLT M6 x 50 MM	04 PCS	2	WASHER M6	04 PCS	3	ALLEN KEY (4MM)	01 PC
								
		 00:20				 Not provided		

STEP 1:

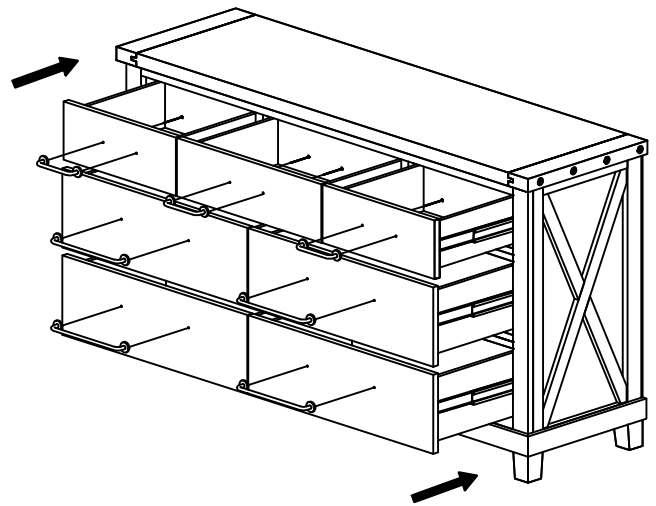
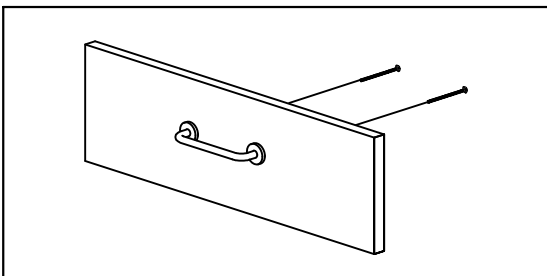
FASTEN THE LEGS (B),(C) TO THE DRESSER (A),
WITH BOLTS (1) AND WASHERS (2).



STEP 2:
PULL OUT AND REMOVE HANDLE.



STEP 3:
ASSEMBLE HANDLE.



STEP 4:
ASSEMBLY COMPLETE.

