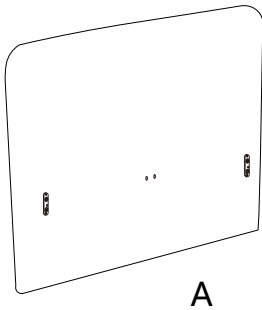


ELORA UPHOLSTERED DAYBED TWIN ASSEMBLY INSTRUCTIONS



BOX#1

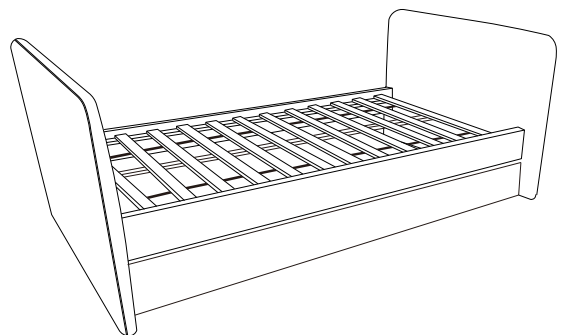
A. HEADBOARD/FOOTBOARD 2 PCS



HARDWARE KIT PACKED IN BOX #1

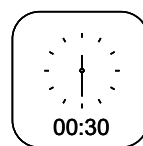
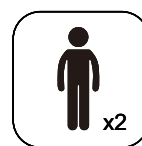
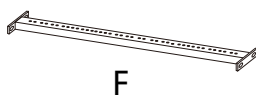
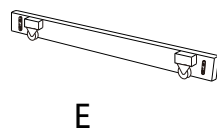
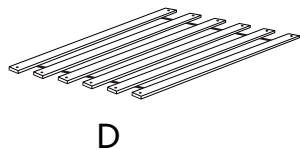
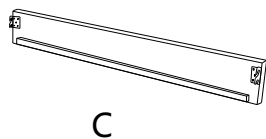
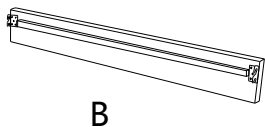
1	ALLEN BOLT(5/16"x1-1/4")		4 PCS
2	FLAT WASHER(3/4")		4 PCS
3	LOCK WASHER(5/16")		4 PCS
4	ALLEN KEY(5/16")		1 PC
5	WOOD SCREW(M4x2")		48 PCS

FULLY ASSEMBLED



BOX#2

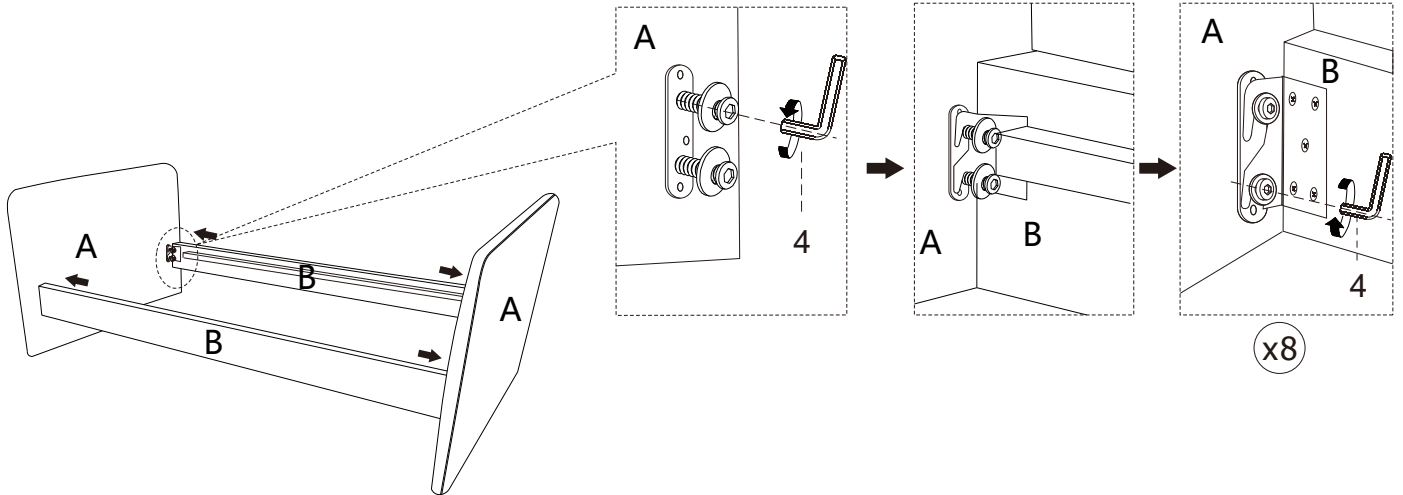
B. UPPER SIDE RAIL 2PCS
 C. LOWER SIDE RAIL 2PCS
 D. SLAT ROLL 4PCS
 E. STRETCHER 2PCS
 F. CENTER SLAT SUPPORT 1PC



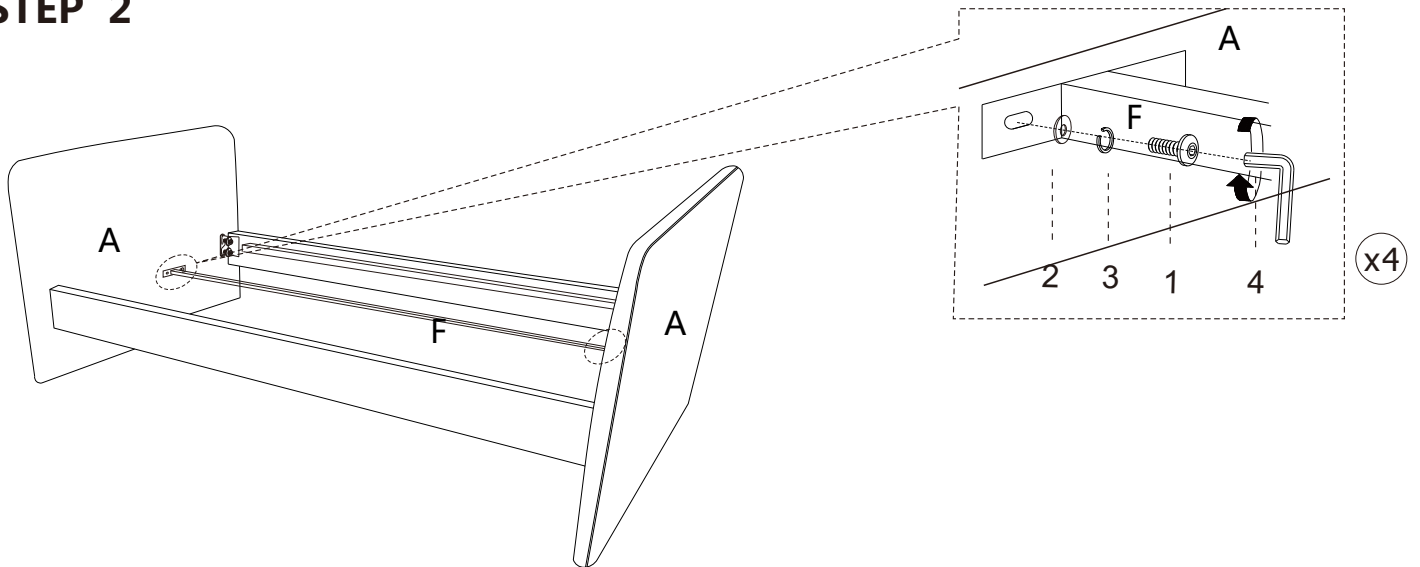
ELORA UPHOLSTERED DAYBED TWIN ASSEMBLY INSTRUCTIONS



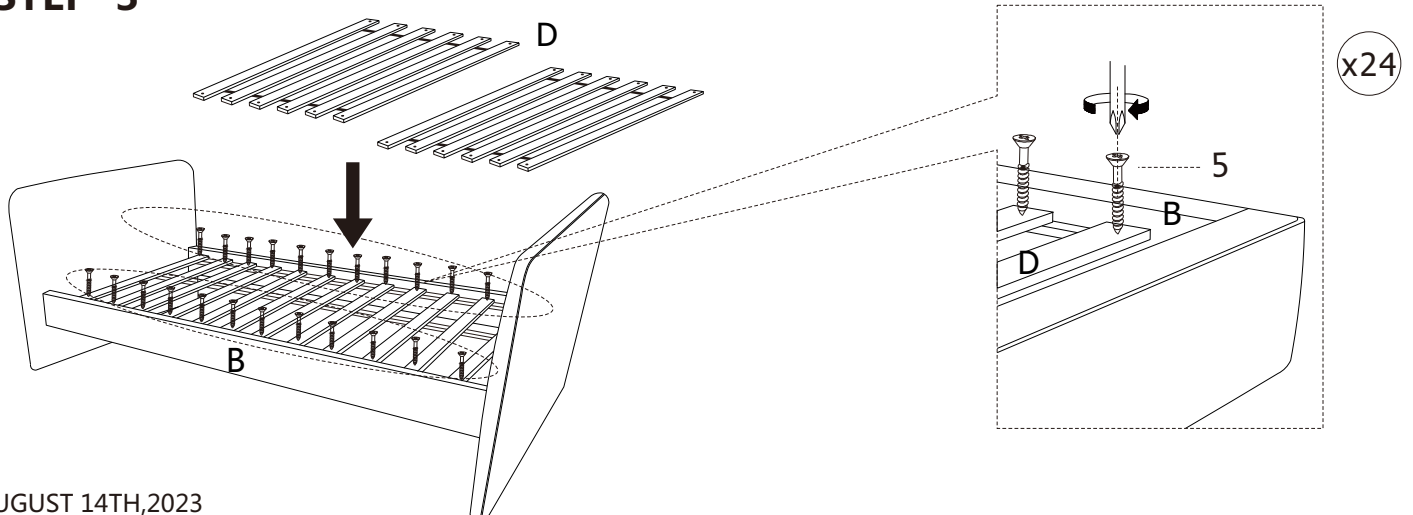
STEP 1



STEP 2



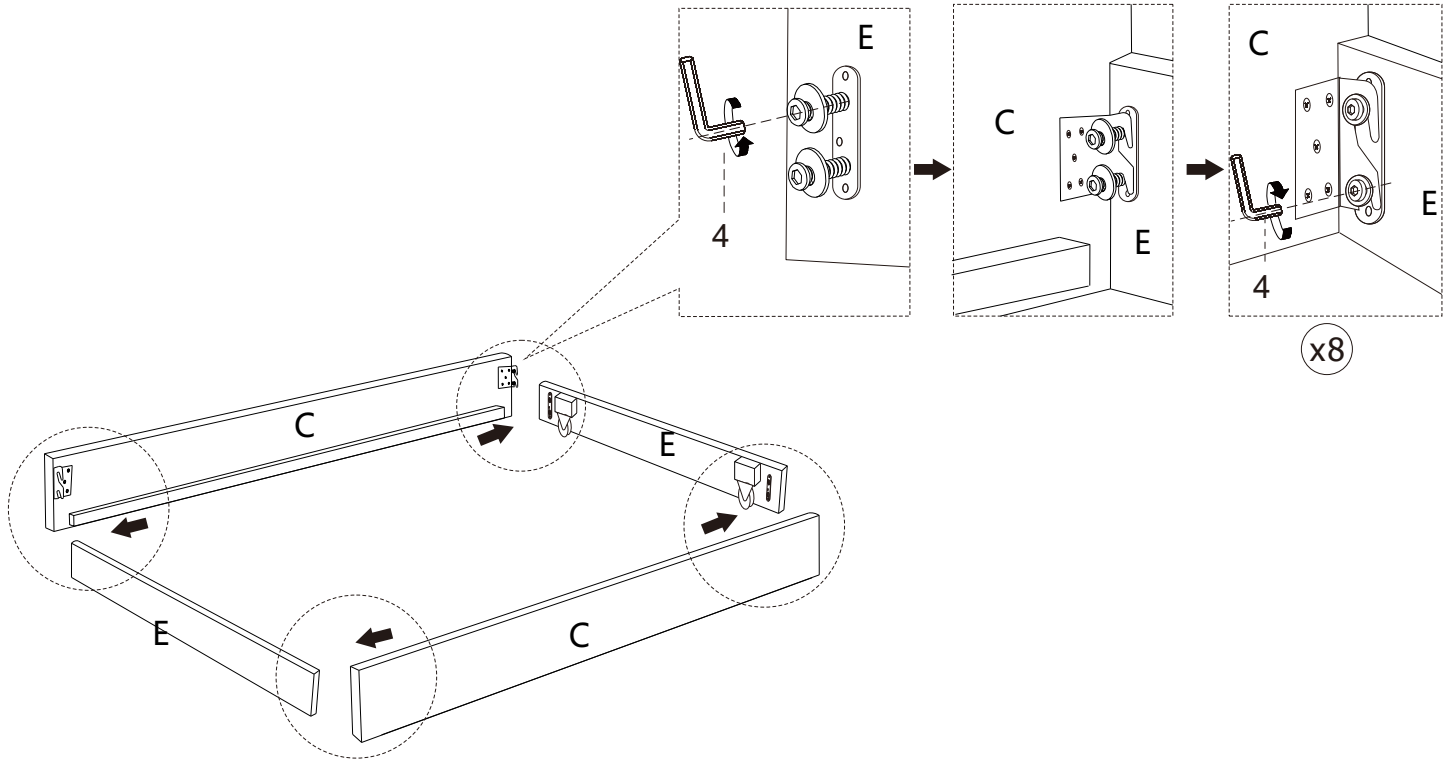
STEP 3



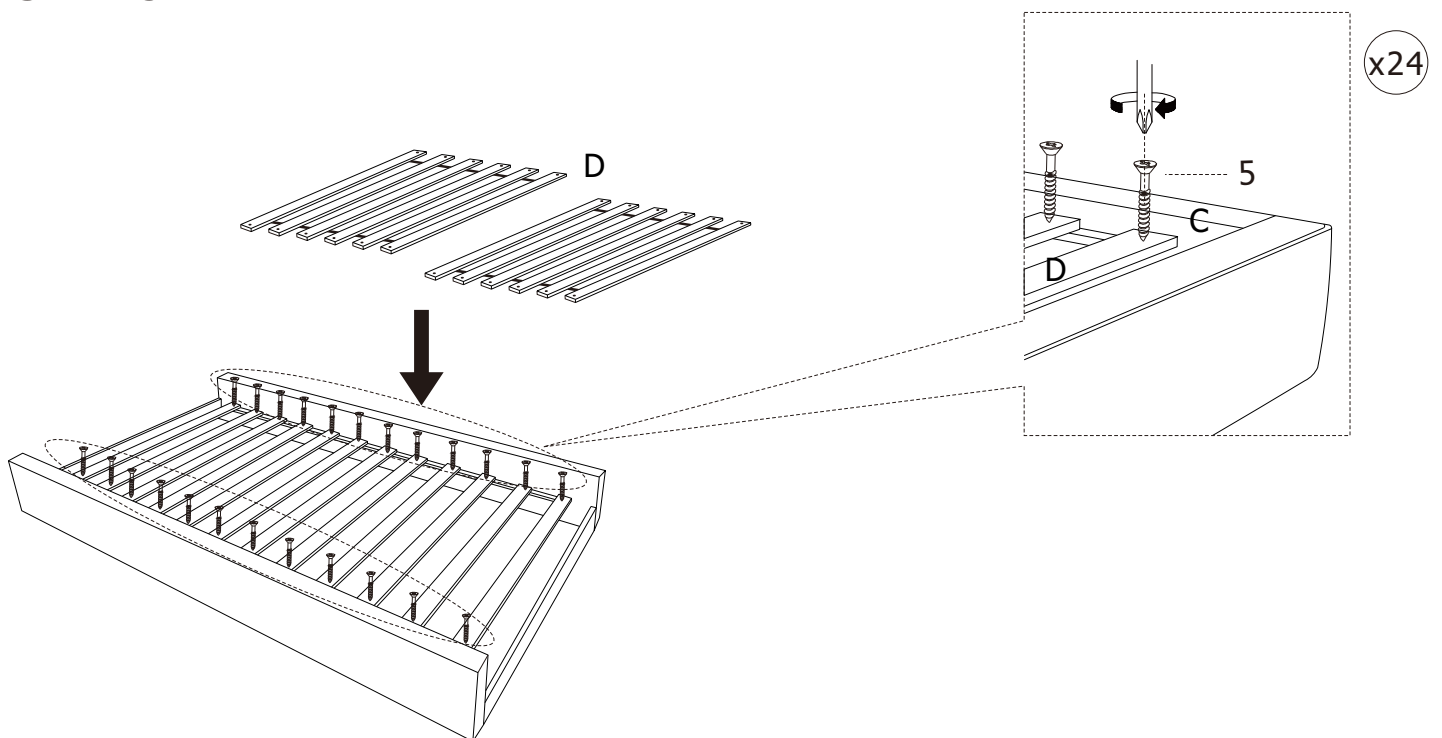
ELORA UPHOLSTERED DAYBED TWIN ASSEMBLY INSTRUCTIONS



STEP 4



STEP 5



ELORA UPHOLSTERED DAYBED TWIN ASSEMBLY INSTRUCTIONS



STEP 6

